



INVITATION TO TENDER FOR SOLE SUPPLY CONTRACT

TENDER SUMMARY AND ADDITIONAL TENDER REQUIREMENTS

The FIA's objective is to select an exclusive supplier whose task it will be to ensure the production and delivery of the **R4-Kits** to be fitted to the cars of competitors entered in the 2017 and 2018 FIA Regional Rally Championships (“the Championships”).

The cars may also be used in national championships around the world, subject to the National Sporting Authorities concerned having decided to adopt the applicable regulations referring to the single R4-Kit homologated by the FIA.

Interested parties are hereby invited to tender to become the exclusive supplier of **R4-Kits** for the 2017 and 2018 seasons of the Championships.

The selected tenderer will be invited to enter into a contract with the FIA that will establish the terms of the tenderer's appointment as exclusive supplier.

Bids must be submitted in accordance with the FIA's "Invitation to tender for sole supply contract - tendering instructions" available at the following link of the FIA's website: <http://www.fia.com/invitation-tender>, **apart from Article 1.1.8 which will not apply to this specific procedure.**

The FIA reserves the right to make amendments to this invitation to tender at any time and to issue a new invitation to tender.

Publication of invitation to tender:	29 July 2016
Tender submission date:	31 August 2016
Opening date:	1 September 2016
Notification of decision:	28 September 2016

ADDITIONAL REQUIREMENTS

Together with their bid, the tenderers are required to provide the information below:

- The experience of the tenderer in managing the construction of components for racing cars and complete racing cars;
 - Project management expertise;
 - Engineering expertise;
 - Technical expertise;
- The industrial capacity of the tenderer:
 - Equipment /composite and machining capabilities;
 - Premises;
 - Human resources;
 - Staff dedicated to the "R4-Kit" project;
 - Staff supporting the "R4-Kit" project;
 - Total staff of the company;
- The supply chain management specifying, in particular, whether or not local supply (by means of licencing for example) is envisaged;
- The financial and economic situation of the tenderer;
 - Provision of balance sheets and operating accounts of the past three years;
 - Seven-year business plan regarding the "R4-Kit" project;
 - Evidence of the ability of the tenderer to raise and maintain sufficient funding to supply the "R4-Kit" and associated spare parts;
- A complete description of the "R4-Kit";
 - Plan;
 - Adaptability of the "R4-Kit" to several types of car and to a minimum of 4 different makes;
 - Production schedule;
 - Main sub-contractors;
 - Calendar and work to be carried out with regard to "R4-Kit" maintenance;
 - An exhaustive list of spare parts with their prices, length of life and delivery timeframe;
 - Proposal for client assistance:
 - Commercial and reliability support;
 - Inventory of spare parts;
 - Production timeframes (maximum time for availability of parts).
- Any other details the tenderer considers relevant for the assessment of its proposal.

- In addition, the tenderers shall confirm that they will supply an "R4-Kit" in compliance with TECHNICAL SPECIFICATIONS appended (for reference see draft version, **Appendix III**) and undertake to respect all obligations and requirements referred to in **Appendix III**.

In addition to the technical and safety considerations, the FIA will give particular attention to customer services (price, lifetime, and delivery timeframe of the spare parts) when assessing the proposals received. No delivery time should exceed the target duration of 8 weeks.

The "R4-Kit" of the selected tenderer will be subject to a homologation procedure. The selection of the tenderer will be finalised only after the homologation procedure has been successfully finalised.

DRAFT CONTRACT FOR SUPPLYING R4-KITS
IN THE 2017 and 2018 FIA REGIONAL RALLY CHAMPIONSHIPS

BETWEEN

The FEDERATION INTERNATIONALE DE L'AUTOMOBILE (FIA)

Place de la Concorde 8
75008 Paris
France

hereinafter referred to as the "**FIA**"

ON THE ONE HAND,

AND

[•]

hereinafter referred to as the "**PROVIDER**"

ON THE OTHER HAND.

PART 1 - GENERAL CONDITIONS

RECITALS

- (A) The FIA's authority in relation to international motor sport has been recognised since 1904 when national automobile clubs came together to establish the FIA to provide, amongst other things, an international forum to regulate motor sport internationally.
- (B) The FIA is the sole body governing international motor sport and is recognised by its members as the sole authority having the sporting power with the right to organise international FIA championships, including the CHAMPIONSHIPS.
- (C) The FIA has an absolute obligation conferred on it by its members to safeguard its authority over all safety, sporting, technical and disciplinary matters relating to the CHAMPIONSHIPS, as well as traditional values.
- (D) The FIA will continue the publication annually of the GOVERNING RULES.
- (E) The FIA has determined that the interests of the CHAMPIONSHIPS require that a single supplier of the PRODUCT should be appointed for a limited term.
- (F) It is intended that the FIA and the PROVIDER will enter into this CONTRACT pursuant to which the PROVIDER will be appointed as the sole supplier of PRODUCT to the CHAMPIONSHIPS for the term set out herein.

1. APPOINTMENT AND SUPPLY

- 1.1 The FIA hereby appoints the PROVIDER to be the exclusive supplier of the PRODUCT to the COMPETITORS for the CHAMPIONSHIPS and the PROVIDER hereby accepts this appointment and agrees to supply the PRODUCT to the COMPETITORS for the CHAMPIONSHIPS in accordance with the terms of this CONTRACT and the terms of the SUPPLY AGREEMENTS.
- 1.2 Following from its appointment, the PROVIDER shall enter into a SUPPLY AGREEMENT with each COMPETITOR setting out the terms upon which the PRODUCT shall be supplied.
- 1.3 The PRODUCT that is supplied by the PROVIDER to the COMPETITORS shall be compliant with the TECHNICAL REGULATIONS and the TECHNICAL SPECIFICATIONS, especially with Articles 251, 252 and 253 of Appendix J to the FIA International Sporting Code and the TECHNICAL SPECIFICATIONS.

2. RELATIONS BETWEEN THE PROVIDER AND THE COMPETITORS

- 2.1 The PROVIDER shall treat all COMPETITORS in accordance with the PRINCIPLES OF SPORTING EQUALITY.
- 2.2 The PROVIDER shall supply the PRODUCT to all COMPETITORS on equivalent terms. It shall enter into a standard SUPPLY AGREEMENT with each COMPETITOR.

- 2.3 All SUPPLY AGREEMENTS shall be fully compliant with the PRINCIPLES OF SPORTING EQUALITY, the CONTRACT, the SPORTING REGULATIONS and TECHNICAL REGULATIONS.
- 2.4 Separate from the SUPPLY AGREEMENT, the PROVIDER shall be free to enter into separate agreements with COMPETITORS, containing such commercial terms, including, for the avoidance of doubt, in relation to advertising, publicity and other promotional arrangements, as those parties may agree. However, any such arrangements must not compromise the PRINCIPLES OF SPORTING EQUALITY, or be contrary to the SUPPLY AGREEMENT entered into with all COMPETITORS. In particular, the conclusion of any supplemental arrangement must in no way confer any sporting advantage upon one COMPETITOR over another.
- 2.5 Each SUPPLY AGREEMENT requiring a COMPETITOR to purchase the PRODUCT for use at more than one COMPETITION shall include a clause permitting the COMPETITOR and/or PROVIDER to terminate the SUPPLY AGREEMENT without a penalty of any kind in the event of expiry or earlier termination of the CONTRACT.
- 2.6 If requested by the FIA, the PROVIDER shall supply a copy of each SUPPLY AGREEMENT in order to demonstrate that the PRINCIPLES OF SPORTING EQUALITY are maintained. With respect to the FIA, the PROVIDER hereby waives and confirms that it shall not assert or seek to rely on any confidentiality provision in any SUPPLY AGREEMENT or other agreement relevant to the supply of the PRODUCT to prevent the FIA from reviewing relevant agreements or carrying out its regulatory functions (including ensuring that the PRINCIPLES OF SPORTING EQUALITY are maintained).
- 2.7 The FIA may request amendments to a SUPPLY AGREEMENT if it considers that the SUPPLY AGREEMENT is not consistent or compatible with, or is otherwise contrary to, the PRINCIPLES OF SPORTING EQUALITY. For the avoidance of doubt, the PROVIDER's obligation to abide by the PRINCIPLES OF SPORTING EQUALITY shall not be limited or otherwise affected by the FIA's review of a SUPPLY AGREEMENT and/or a request for an amendment to be made.
- 2.8 In the event of uncertainty regarding whether any action taken or proposed to be taken by the PROVIDER may breach the PRINCIPLES OF SPORTING EQUALITY, the PROVIDER shall request guidance from the FIA, which shall make a determination in this regard. Where such a determination is made by the FIA, the PROVIDER's actions in complying with that determination shall be deemed to be in compliance with the PROVIDER's obligation in GENERAL CONDITION 2.1 to treat all COMPETITORS in accordance with the PRINCIPLES OF SPORTING EQUALITY.

3. LIABILITY

- 3.1 Without prejudice to the FIA's other rights, the PROVIDER shall indemnify and hold harmless the FIA from and against all reasonably foreseeable losses incurred by the FIA as a direct result of the PROVIDER's:
- (a) failure to supply the PRODUCT of the requisite quantity;
 - (b) failure to supply the PRODUCT of the requisite quality; and
 - (c) negligence in the supply of the PRODUCT.

- 3.2 The PROVIDER represents and warrants that it is in a position to meet any liability that may arise under clause 3.1 of this CONTRACT and hereby covenants to maintain such position for the period of time during which the PROVIDER may be liable.

4. WARRANTIES

- 4.1 The PROVIDER represents and warrants that it has full power and authority to enter into and fully perform its obligations under the CONTRACT and the provisions of the CONTRACT, when executed, will constitute valid and binding obligations on the PROVIDER in accordance with its terms. The PROVIDER also represents and warrants that it has full power and authority to enter into and fully perform its obligations under the SUPPLY AGREEMENTS when executed.

- 4.2 The FIA represents and warrants that it has full power and authority to enter into and fully perform its obligations under the CONTRACT and the provisions of the CONTRACT, when executed, will constitute valid and binding obligations on the FIA in accordance with its terms.

5. TERMINATION

- 5.1 Notwithstanding any other provision hereof, either party may terminate the CONTRACT with immediate effect by written notice to the other if any of the following events occur:

- (a) the other party has committed a material breach of the CONTRACT which is not capable of remedy or, if remediable, has not remedied it within 14 days of the non-breaching party's written notice requiring the default to be remedied (for the avoidance of doubt, a breach by the PROVIDER of any of GENERAL CONDITIONS 1.2, 1.3, 2, 3 and 4.1 and any of SPECIAL CONDITIONS is acknowledged by the parties to be a material breach);
- (b) steps (including any steps analogous to those following) have been taken to wind up the other party or to place the other party into administration or to have a receiver appointed over any of its assets, other than as part of a scheme of solvent reconstruction or amalgamation; or
- (c) the other party shall cease or threaten to cease carrying on business or the other party shall make any composition or arrangement with its creditors or become subject to any other insolvency process or proceeding (other than as part of a scheme of solvent reconstruction or amalgamation) or have all or any of its assets or undertakings seized by a government or governmental agency or authority (including any acts analogous to the above).

6. GOVERNING RULES

- 6.1 The GOVERNING RULES constitute the legal, administrative and technical framework of the CHAMPIONSHIPS and the conditions set forth therein shall have binding force and prevail among the parties to the CONTRACT.

- 6.2 The CONTRACT shall in principle be interpreted in a manner that gives effect to the provisions of the GOVERNING RULES, the intention of the parties being to construe the provisions of the CONTRACT in the context of the more general framework of the GOVERNING RULES.

- 6.3 The PROVIDER acknowledges that the TECHNICAL SPECIFICATIONS and GOVERNING RULES are subject to amendment from time to time. The PROVIDER will be responsible (at its own cost) for all research and development associated with the manufacture of the PRODUCT, including the making of any changes to the PRODUCT to be supplied pursuant to the CONTRACT that may be necessitated by any amendment to the TECHNICAL SPECIFICATIONS or the GOVERNING RULES.
- 6.4 The PROVIDER acknowledges that the FIA may take decisions regarding the supply of the PRODUCT, this CONTRACT and any obligations accruing from the GOVERNING RULES through whatever structure it deems appropriate, including through its disciplinary structures. The PROVIDER shall not challenge the competence of an FIA disciplinary body acting in accordance with the GOVERNING RULES.

7. GOVERNING LAW AND LANGUAGE

- 7.1 The language that shall prevail for the interpretation of the CONTRACT shall be English and the CONTRACT and all documents connected with the CONTRACT shall be written in English. In the event of any conflict between the language of the CONTRACT and any translation thereof, the language of the CONTRACT shall prevail. In the event of any conflict between the language of any document connected with the CONTRACT and any translation thereof, the language of the document connected with the CONTRACT shall prevail.
- 7.2 The governing law of the CONTRACT shall be French law.
- 7.3 The Tribunal de Grande Instance de Paris, France, shall have sole jurisdiction to settle any dispute that may arise between the FIA and the PROVIDER in connection with the CONTRACT.
- 7.4 Without any prejudice to Article 7.3 above, the PROVIDER undertakes to strictly respect the Statutes and Code of Ethics of the FIA as well as the other GOVERNING RULES. The PROVIDER hereby agrees to be subject to the internal judicial and disciplinary bodies of the FIA.

8. GENERAL

- 8.1 Nothing in the CONTRACT guarantees or shall be construed as guaranteeing the solvency of a COMPETITOR. The FIA is not responsible for ensuring that the COMPETITORS satisfy the terms of the SUPPLY AGREEMENTS and the FIA shall not be liable for a failure by any COMPETITOR to satisfy the terms of a SUPPLY AGREEMENT.
- 8.2 No delay or omission or failure to exercise any right or remedy provided herein shall be deemed to be a waiver thereof.
- 8.3 The CONTRACT shall be binding on and enure to the benefit of the parties and their respective successors and permitted assigns. The PROVIDER shall not be entitled to assign or sub-contract its rights or obligations under the CONTRACT in whole or in part without the prior written consent of the FIA.

8.4 Any notice to be given under the CONTRACT shall be given in writing delivered to the other party by any one or more of the following methods:

- (a) personal delivery to one of its corporate officers, in which case notice shall be treated as having been given at the time of such personal delivery;
- (b) first class registered post or courier delivery service (such as DHL or UPS) to the address mentioned above (or such other address as may be notified to the other party in writing from time to time), in which case notice shall be treated as having been given on the date of actual receipt at that address (or on the next local business day if delivered on a local non-business day or after 4.00 p.m. local time on a local business day), which shall rebuttably be presumed to be the second local business day after posting; or
- (c) facsimile to the numbers below (or such other facsimile number as may be notified to the other party in writing from time to time), in which case notice shall be treated as having been received at the time of actual receipt (or on the next local business day if delivered on a local non-business day or after 4.00 p.m. local time on a local business day) and rebuttably be presumed to have been duly received at the time indicated on the automatic acknowledgement transmitted by the recipient fax machine:

PROVIDER: [•]

FIA: [•]

8.5 Any variations of the CONTRACT shall be ineffective unless agreed in writing and signed by the parties.

8.6 If any term, provision or condition of the CONTRACT is held by a court of competent jurisdiction to be invalid, void or unenforceable such invalidity, voidness or unenforceability shall not invalidate the remainder of the CONTRACT, all of which shall remain in full force and effect.

8.7 The CONTRACT may be executed in any number of counterparts (whether original or facsimile counterparts) and upon due execution of all such counterparts by all parties, each counterpart shall be deemed to be an original hereof.

8.8 GENERAL CONDITIONS 3, 7 and 8 shall survive expiry or termination of the CONTRACT for any reason (but shall terminate at the time expressly provided in the relevant GENERAL CONDITION, if any).

PART 2 - SPECIAL CONDITIONS

1. SUPPLY OF THE PRODUCT

- 1.1 The PROVIDER shall supply such quantity of the PRODUCT as is required for each COMPETITOR at each:
- (a) COMPETITION;
 - (b) TEST DAYS;
 - (c) private testing; and
- 1.2 The PRODUCT supplied by the PROVIDER in compliance with Articles 251, 252 and 253 of Appendix J to the FIA International Sporting Code and the TECHNICAL SPECIFICATIONS shall be of a strictly uniform quality throughout the duration of the CHAMPIONSHIP season, and shall be produced as a single unit of production. For the avoidance of doubt, only PRODUCT from such single unit of production shall be distributed to the COMPETITORS except that, in the event that a change to the PRODUCT supplied pursuant to the CONTRACT is required as a result of an amendment to the TECHNICAL SPECIFICATIONS or the TECHNICAL REGULATIONS, only PRODUCT from a single unit of production of the PRODUCT as modified to comply with such amendment shall be distributed to the COMPETITORS.
- 1.3 The FIA does not guarantee the PROVIDER a minimum quantity of the PRODUCT to be supplied.

2. DELIVERY OF THE PRODUCT

- 2.1 The PRODUCT supplied by the PROVIDER shall be made available to the FIA no later than 15 December 2016. The PRODUCT shall not be made available to anyone other than the FIA before that date.
- 2.2 First samples of the PRODUCT shall be made available to each COMPETITOR no later than 15 December 2016 for private testing. The PROVIDER shall make such arrangements for the delivery of the PRODUCT to a COMPETITOR performing private testing as may be reasonably requested, or otherwise agreed, by the PROVIDER and such COMPETITOR.

3. MANUFACTURING CONDITIONS OF THE PRODUCT AND TECHNICAL CONTROL

- 3.1 Before starting production of the PRODUCT to be supplied pursuant to the CONTRACT, the PROVIDER shall provide to the FIA a detailed technical study of such PRODUCT for the approval of the FIA ENGINEER. In the event that an amendment is made to any TECHNICAL SPECIFICATIONS or the TECHNICAL REGULATIONS that requires an amendment to the PRODUCT supplied pursuant to the CONTRACT, the PROVIDER shall provide to the FIA a detailed technical study of the amended PRODUCT to be supplied pursuant to the CONTRACT to take account of such amendment.
- 3.2 The PROVIDER shall make (at its own cost) such modifications to the PRODUCT to be supplied pursuant to the CONTRACT as the FIA ENGINEER may require.

- 3.3 Technical checks will take place to verify whether the PRODUCT used by the COMPETITORS during the COMPETITIONS is in conformity with the TECHNICAL SPECIFICATIONS and the TECHNICAL REGULATIONS. The PROVIDER undertakes to carry out, at his own cost, this technical analysis.

Under no circumstances, may the cost of the PRODUCT analyses carried out by the PROVIDER be charged to the FIA.

4. PRICING OF THE PRODUCT

- 4.1 The price of the PRODUCT supplied pursuant to the CONTRACT at the site of each COMPETITION and, when required, at the site of each TEST DAYS shall be [€/ litre] (as further detailed on the PRICING FORM), which amount shall be inclusive of all taxes and charges and which amount shall not be increased for any reason except in accordance with SPECIAL CONDITION 4.4.
- 4.2 The price of the PRODUCT shall strictly comply with the amounts referred to in the TECHNICAL SPECIFICATIONS.
- 4.3 VAT (value added tax) shall not be charged to those COMPETITORS that are exempt from VAT and that have supplied proof of such exemption to the PROVIDER.
- 4.4 The price stated in SPECIAL CONDITION 4.1 may be adjusted for the 2018 sporting season in accordance with the indexation formula provided in **Appendix I**.

PART 3 - DEFINITIONS

The following terms shall be understood to have the following meanings for the purposes of the "CONTRACT".

- 1.1 **CHAMPIONSHIPS** means the 2017 and 2018 seasons of the FIA Regional Rally Championships.
- 1.2 **COMPETITION** means any race forming part of the CHAMPIONSHIPS. A COMPETITION is deemed to commence at the scheduled time for scrutineering and sporting checks and includes all practice, qualifying and the race itself and ends at the expiry of the deadline for the lodging of a protest under the terms of the International Sporting Code.
- 1.3 **COMPETITORS** means the racing teams and drivers that have been accepted by the FIA to take part in the COMPETITIONS of the CHAMPIONSHIPS.
- 1.4 **CONTRACT** means the GENERAL CONDITIONS, the SPECIAL CONDITIONS and the DEFINITIONS.
- 1.5 **DEFINITIONS** means the definitions set out in this Part 3 of the CONTRACT.
- 1.6 **COMPETITION** means any race forming part of the CHAMPIONSHIPS and entered on the International Sporting Calendar of the FIA. A COMPETITION is deemed to commence at the scheduled time for scrutineering and administrative checks and includes all practice, qualifying and the race itself and ends at the expiry of the deadline for the lodging of a protest under the terms of the International Sporting Code.
- 1.7 **FIA** means the Fédération Internationale de l'Automobile (FIA).
- 1.8 **FIA ENGINEER** means the technician appointed by the FIA to carry out all technical checks and controls and to grant the necessary approval prior to the starting up of production.
- 1.9 **GENERAL CONDITIONS** means the provisions contained in Part 1 of the CONTRACT.
- 1.10 **GOVERNING RULES** means:
 - (a) the International Sporting Code and the Appendices thereto;
 - (b) the General Prescriptions applicable to the CHAMPIONSHIPS.
 - (c) the SPORTING REGULATIONS;
 - (d) the TECHNICAL REGULATIONS;
 - (e) the Code of Ethics;
 - (f) the Judicial and Disciplinary Rules;
 - (g) any other regulations applicable to the CHAMPIONSHIPS, to the extent disclosed in writing to the PROVIDER.

- 1.11 **PRICING FORM** means the pricing form provided at **Appendix II** stating the prices at which the PRODUCT will be supplied to the COMPETITORS.
- 1.12 **PRINCIPLES OF SPORTING EQUALITY** means the equal treatment by the PROVIDER of all COMPETITORS with respect to:
- (a) anything which may affect the performance of the PRODUCT;
 - (b) the terms on which the PRODUCT is supplied;
 - (c) the support, access and information made available to COMPETITORS in relation to the PRODUCT; and
 - (d) any other matter which affects or may have an effect, however minor, on sporting performance.
- 1.13 **PRODUCT** means R4-KITS, as such word is described in the SPORTING REGULATIONS, TECHNICAL REGULATIONS, Specific Regulations for cars fitted with R4-Kit and the Homologation Regulations for R4-Kit.
- 1.14 **PROVIDER** means [•].
- 1.15 **PRODUCTION SITE** means the factory that will produce the PRODUCT supplied pursuant to the CONTRACT.
- 1.16 **SPECIAL CONDITIONS** means the provisions contained in Part 2 of the CONTRACT.
- 1.17 **SPORTING REGULATIONS** means the Sporting Regulations applicable to the CHAMPIONSHIPS as published and amended by the FIA. The 2016 Sporting Regulations (for example only) are available via the FIA website: www.fia.com.
- 1.18 **SUPPLY AGREEMENT** means any agreement, and all amendments thereto, between the PROVIDER and a COMPETITOR pursuant to which the PROVIDER shall supply the PRODUCT to the COMPETITOR.
- 1.19 **TECHNICAL REGULATIONS** means the Technical Regulations applicable to the CHAMPIONSHIPS as published and amended by the FIA from time to time. The 2016 Technical Regulations (for example only) are available via the FIA website: www.fia.com.
- 1.20 **TECHNICAL SPECIFICATIONS (Appendix III)** means the Specific Regulations for cars fitted with the PRODUCT and the Homologation Regulations applicable to the PRODUCT as issued and amended by the FIA.

APPENDICES

I - INDEXATION FORMULA

II - PRICING FORM

III - TECHNICAL SPECIFICATIONS

APPENDIX I

Indexation formula

Concerning the 2018 season, the prices charged to COMPETITORS shall be the amount that equals the amount shown for 2017 in the PRICING FORM increased annually in accordance with the positive variation of the “Consumer Prices – All items” index published by the Organisation for Economic Cooperation and Development (OECD) in “Main Economic Indicators”. The indexation shall be in accordance with the variation between such base index and the index published in the October edition of “Main Economic Indicators” for the year to which the indexation applies and for the PROVIDER’s country.

APPENDIX II

Pricing form

	PRICE BEFORE TAX	PRICE INCLUSIVE OF ALL TAXES AND CHARGES
Price per litre at the production site	€	€

The price proposed must comply with the amounts referred to in the TECHNICAL SPECIFICATIONS.

APPENDIX III

TECHNICAL SPECIFICATIONS

FEDERATION INTERNATIONALE DE L'AUTOMOBILE WWW.FIA.COM	PROJET REGLEMENT D'HOMOLOGATION 2016 POUR <u>KIT R4</u>	2016 DRAFT HOMOLOGATION REGULATIONS FOR <u>R4 KIT</u>
--	--	--

Article modifié- <i>Modified Article</i>	Date d'application- <i>Date of application</i>	Date de publication- <i>Date of publication</i>

	RALLYE 4 / kit R4 Essence REGLEMENTATION	RALLYE 4 / R4 kit Petrol REGULATIONS
Chapitre Chapter		
01-3	<p>Les kits R4 ne peuvent être montés que sur des modèles de voitures de série avec 2 roues motrices ou 4 roues motrices produit à plus de 2500 exemplaires en 12 mois consécutifs.</p> <p>La validité de l'homologation d'un « kit-R4 » sera accordée pour une durée de 7 années, renouvelable pour deux périodes 2 années chacune.</p> <p>Pour chaque constructeur de kit-R4, aucune nouvelle homologation ne sera autorisée pendant une période de quatre (4) années.</p> <p>Pendant ce délai de quatre (4) années et pour un constructeur de kit-R4 donné, une nouvelle variante kit-R4 pourra être homologuée uniquement dans le cas où le moteur du kit est remplacé par un moteur d'une autre marque.</p> <p>Un seul moteur de substitution peut être homologué.</p> <p>Seules les modifications nécessaires au montage du nouveau moteur et de ses auxiliaires peuvent être homologuées (à la discrétion de la FIA).</p> <p>De plus, les voitures équipées d'un kit R4 et utilisées sur route ouverte doivent être immatriculées pour utilisation routière.</p> <p>Définition de VR-Kit R4 : Voitures de Tourisme ou de Grande Production de Série, moteur suralimenté Essence, 4 roues motrices.</p> <p>Toutes les pièces homologuées en variante kit-R4 doivent être disponibles pour tout concurrent pendant la validité de l'homologation.</p>	<p>The R4 kits may be fitted only on Series Production Cars with 2-wheel drive or 4-wheel drive produced in a quantity of at least 2500 units within 12 consecutive months.</p> <p>The homologation validity of one "R4-Kit" will be granted for 7 years, to be renewed twice for 2 years each time</p> <p>For each R4-kit manufacturer, no new homologation will be permitted within a period of four (4) years.</p> <p>Within the period of four (4) years and for a given R4-kit manufacturer, a new R4-kit variant may be homologated only if the engine of the kit is replaced with an engine of another make.</p> <p>Only one alternative engine can be homologated.</p> <p>Only the necessary modifications for the fitting of the new engine and its ancillaries can be homologated (at the discretion of the FIA).</p> <p>Furthermore, cars fitted with a R4 kit and used on open roads must be officially registered for road use.</p> <p>VR4 kit definition : Touring Cars or Large Scale Series Production Cars, supercharged Petrol engine, 4-wheel drive.</p> <p>All the parts homologated in R4-kit variant must be available for any competitor throughout the period during which the homologation is valid.</p>
	PROCEDURE D'HOMOLOGATION	HOMOLOGATION PROCEDURE
	<p><u>CONDITIONS GENERALES :</u> Voir FIA HOMOLOGATION AND SUPPLY OF "R4-KITS CALL FOR EXPRESSIONS OF INTEREST / AND SELECTION PROCESS</p> <p><u>Demandes d'homologation :</u> Date limite de réception des demandes : 01 Novembre 2016</p> <p>Entrée en vigueur au plus tôt des homologations prononcées : 01 Janvier 2017</p> <p>Les constructeurs de kit-R4 doivent assurer l'expédition des fichiers numériques (Word ou Pdf) de chaque demande en conformité avec cet article à l'adresse email suivante : homologation@fia.com</p> <p>Toute homologation doit être validée et publiée par la FIA au moins 8 jours avant les vérifications techniques de l'épreuve dans laquelle</p>	<p><u>GENERAL CONDITIONS :</u> See FIA HOMOLOGATION AND SUPPLY OF "R4-KITS CALL FOR EXPRESSIONS OF INTEREST / AND SELECTION PROCESS</p> <p><u>Homologation requests:</u> Application deadline for the receiving of the applications: 01 November 2016</p> <p>Earliest date of commencement of validity of homologations granted : 01 January 2017</p> <p>The R4-kit manufacturers must ensure that digital files (Word or Pdf) of each application are sent, in accordance with this article, to the following email address: homologation@fia.com</p> <p>Any homologation must be validated and published by the FIA at least 8 days prior to scrutineering of the event in which this</p>

	cette homologation est utilisée pour la première fois.	homologation is used for the first time.
	JOKER	JOKER
	<p>1 erratum / joker est comptabilisé pour chaque article modifié (par exemple, 1 volant moteur = 1 Joker, etc.).</p> <p>Pour les 24 premiers mois (après homologation de l'extension VR4-KIT) :</p> <p>Un maximum de 3 "Jokers" peut être homologué par fiche d'homologation.</p> <p>Dans le cas de sécurité et / ou de problème de fiabilité durant les 24 premiers mois, 2 "Jokers" supplémentaires peuvent être homologués par fiche d'homologation.</p> <p>Si l'extension VR4-KIT a été homologuée depuis plus de 24 mois :</p> <p>Il sera possible d'homologuer une extension d'au plus 2 nouveaux "Jokers" (2 articles).</p> <p>Ces 2 Jokers maximum doivent être homologués dans une seule extension.</p> <p>Cette extension doit être utilisée dans son intégralité.</p>	<p>One erratum / joker is counted for each article modified (e.g. 1 engine flywheel = 1 Joker, etc.).</p> <p>For the 24 first months (after homologation of the VR4-KIT extension) :</p> <p>A maximum of 3 "Jokers" may be homologated per homologation form.</p> <p>In case of a safety and/or reliability problem during the first 24 months, 2 extra "jokers" may be homologated per homologation form.</p> <p>If the VR4-KIT extension has been homologated for more than 24 months:</p> <p>It will be possible to homologate 1 extension of up to 2 new "jokers" (2 articles).</p> <p>These maximum 2 jokers must be homologated in only one extension.</p> <p>This extension must be used in its entirety.</p>
	DOSSIER A FOURNIR - PRIX	DOSSIER TO BE SUPPLIED - PRICE
	<p>Chaque année, les constructeurs de kit-R4 doivent faire parvenir à la FIA un dossier dans lequel doivent figurer :</p> <ul style="list-style-type: none"> • Une liste de toutes les pièces du kit. • Les indications de montage du kit. • Le prix unitaire de chaque pièce figurant à l'Annexe 2 du présent règlement. • Adaptabilité du « kit-R4 » pour plusieurs types de voiture et pour au moins 4 marques différentes <p>Le prix maximum du kit-R4 complet devra être de 105 000 euros (hors taxes).</p> <p>Le kit-R4 prêt à monter ainsi que toutes ses pièces de rechange doivent être disponibles à tout moment et pour tout concurrent.</p> <p>"R4-Kit" is defined as the complete set of components and parts as described on the homologation form;</p> <p>Each "R4-Kit" manufacturer shall be capable of supplying a minimum of ten complete Kits per year at least over the first 4 years of homologation</p> <p>Each "R4-Kit" manufacturer shall be capable of supplying spare parts of the "R4-Kit" as long as the homologation is valid, eventually by licensing another supplier;</p> <p>All potential customers shall be given strictly similar conditions of supply and support; the candidates undertake to treat all potential customers on a strictly equal basis.</p> <p><u>Marquage des pièces du KIT-R4 :</u></p> <p>Le type de marquage des pièces du kit peut être indiqué dans la fiche d'homologation pour variante-KIT-R4.</p>	<p>Each year, the R4-kit manufacturers must send the FIA a dossier which must contain:</p> <ul style="list-style-type: none"> • A list of all the parts of the kit. • The instructions for assembling the kit. • The unit price of each part featured in Appendix 2 of the present regulations. • Adaptability of the "R4-Kit" to several types of car and to a minimum of 4 different makes <p>The maximum price of the complete R4-kit must not exceed 105.000 Euros (before taxes).</p> <p>The R4 kit that is ready to install as well as all the spare parts must be available at any time and for any competitor.</p> <p>"R4-Kit" is defined as the complete set of components and parts as described on the homologation form;</p> <p>Each "R4-Kit" manufacturer shall be capable of supplying a minimum of ten complete Kits per year at least over the first 4 years of homologation</p> <p>Each "R4-Kit" manufacturer shall be capable of supplying spare parts of the "R4-Kit" as long as the homologation is valid, eventually by licensing another supplier;</p> <p>All potential customers shall be given strictly similar conditions of supply and support; the candidates undertake to treat all potential customers on a strictly equal basis.</p> <p><u>Marking of the R4-KIT parts :</u></p> <p>The type of marking of the parts may be specified in the homologation form for variant -KIT- R4.</p>
	VARIANTE DE FOURNITURE	SUPPLY VARIANT
02-4	<p>Une variante de fourniture correspond à la livraison d'une même pièce (caractéristiques identiques à celle homologuée) par des fournisseurs différents, le client n'étant pas en mesure de choisir le fournisseur.</p> <p>Les pièces pouvant faire l'objet d'une variante de fourniture sont :</p> <ul style="list-style-type: none"> • Les pièces de série. • Les capteurs du système électronique de contrôle moteur (cf. Art. 324g de la fiche d'homologation) ; 2 fournisseurs maximum. • Les pièces du kit-R4 fabriquées dans un pays (hors Europe uniquement) où la variante-kit R4 est utilisée (uniquement avec l'accord du constructeur du kit R4) 	<p>A supply variant corresponds to the delivery of the same part (characteristics identical to that homologated) by different suppliers, the customer having no opportunity to choose the supplier.</p> <p>The parts that may be the subject of a supply variant are:</p> <ul style="list-style-type: none"> • Series parts. • Sensors of the engine electronic control system (cf. Art. 324g of the Homologation Form); maximum 2 suppliers. • R4-kit parts produced in a country (outside Europe only) where R4 kit-variant is used (only with the approval of the R4-kit supplier)
	MATERIAU	MATERIAL
03-10	Les pièces homologuées en VR4-KIT doivent être conformes à l'Art. 252-1.3 et à l'Art. 261 de l'Annexe J.	The homologated in VR4-KIT must be in conformity with Art. 252-1.3 and Art. 261 of Appendix J.
	GENERALITES	GENERAL
103-2	VR4-KIT: jusqu'à 1620 cm3, 4 cylindres (pas de coefficient de calcul de cylindrée).	VR4-KIT: up to 1620 cm3, 4 cylinders (no cylinder capacity calculation coefficient).

3.	MOTEUR	ENGINE
300-1a	<p>KIT "MOTEUR" SPECIFIQUE</p> <p>Moteur unique provenant d'un modèle de voiture de série et conforme aux conditions suivantes :</p> <ul style="list-style-type: none"> • Il doit provenir d'un modèle d'automobile d'un constructeur produit à plus de 2500 exemplaires • La cylindrée minimum est de 1390 cm3. • Le poids minimum du bloc moteur de série (cf. Art. 251-2.3.3 de l'Annexe J) incluant les chapeaux de paliers principaux ou, si utilisé, incluant le châssis échelle est fixé à 20 kg. • Au moins 2500 exemplaires identiques doivent avoir été produits en 12 mois consécutifs. <p>2. Il sera possible de comptabiliser des modèles d'un autre constructeur à condition que ceux-ci soient équipés du même moteur (strictement identique) et produits à au moins 1000 exemplaires en 12 mois consécutifs.</p> <p>Le réalésage n'est pas autorisé. L'alésage et la course doivent être homologués en VR4-KIT. Le rechemisage du moteur n'est pas autorisé. Dans le seul but de pouvoir monter la boîte de vitesses, ainsi que certains équipements auxiliaires (à savoir montage du moteur, montage de l'alternateur ...), l'usinage externe local du bloc moteur sera autorisé. Toute modification du bloc moteur doit être homologuée.</p>	<p>SPECIFIC "ENGINE" KIT</p> <p>Single engine coming from a series production car model and complying with the following conditions :</p> <ul style="list-style-type: none"> • It must come from a model of automobile of a manufacturer produced in a quantity of more than 2500 units • The minimum cylinder capacity is 1390 cm3. • The minimum weight of the series engine block (cf. Art. 251-2.3.3 of Appendix J) including the main bearing caps or if used, including the ladder frame is fixed at 20 kg. • At least 2500 identical units must have been produced in 12 consecutive months. <p>3. It will be possible to count models from another manufacturer, provided that they are equipped with the same engine (strictly identical) and produced in a quantity of at least 1000 units in 12 consecutive months.</p> <p>Rebore is not allowed. The bore and the stroke must be homologated in VR4-KIT. The resleeving of the engine is not allowed. In the sole purpose of being able to fit the gearbox, as well as some ancillary equipment (i.e. engine mounting, alternator mounting...) local external machining of the engine block will be allowed. Any modification to the engine block must be homologated.</p>
300-1b	<p>Si un système de pilotage mécanique ou électrique, par exemple pompe à eau pilotée / pompe à huile / distribution variable / levée des soupapes variable etc., est monté d'origine, celui-ci peut être supprimé ou désactivé. Toute modification du système d'entraînement doit être homologuée en VR4-KIT.</p>	<p>If a mechanical or electric drive system, e. g. driven water pump / oil pump / variable timing / variable valve lift..., is fitted originally, it may be removed or deactivated. Any modification to the driving system must be homologated in VR4-KIT.</p>
304-2	TURBOCOMPRESSEUR	TURBOCHARGER
	<p>Il est possible d'homologuer un nouveau turbocompresseur. Le turbocompresseur doit provenir d'un modèle d'automobile d'un constructeur produit à plus de 2500 exemplaires ou d'un catalogue de pièces de compétition. Le turbocompresseur doit être unique, à mono-étage de compression et de détente et ne doit pas avoir de pas variable ou de géométrie variable. Il est autorisé, par usinage ou ajout de matière, de modifier le carter du turbo pour y installer la bride (Dessin 254-4 de l'Annexe J) et le capteur de régime turbo. Il est possible d'homologuer une pièce interface entre le collecteur d'échappement et le turbocompresseur à condition que l'épaisseur de cette pièce soit inférieure à 30 mm. Prix maximum du turbocompresseur complet : voir Annexe 2.</p>	<p>It is possible to homologate a new turbocharger. The turbocharger must come from a model of automobile of a manufacturer produced in a quantity of more than 2500 units or from a catalogue of competition parts. The turbocharger must be single turbocharger, with single stage compression and expansion, and must not have variable pitch or variable geometry. The housing of the turbo may be modified by machining or through the addition of material in order to install the restrictor (Drawing 254-4 of Appendix J) and the turbo speed sensor. It is possible to homologate an interface component between the exhaust manifold and the turbocharger on condition that the thickness of this component is less than 30 mm. Maximum price of the complete turbocharger: see Appendix 2.</p>
317-1	PISTON COMPLET	COMPLETE PISTON
	<p>Le piston du moteur de série peut être conservé et homologué en VR4-KIT (aucune modification autorisée).</p> <p>Un nouveau type de piston peut être homologué en VR4-KIT.</p> <ul style="list-style-type: none"> • Le poids minimum du nouveau piston (avec axe, jonc et segments) est de 400 g. • Chaque piston doit comporter au moins 3 segments d'une épaisseur minimum de 0.95 mm. • Prix maximum du piston complet (avec axe, jonc et segments) : voir Annexe 2. 	<p>The piston of the standard engine may be kept and homologated in VR4-kit (no modification allowed).</p> <p>A new type of piston may be homologated in VR4-KIT.</p> <ul style="list-style-type: none"> • The minimum weight of the new a piston (with pin, spring-ring and rings) is 400 g. • Each piston must have at least three piston rings with a minimum thickness of 0.95 mm. • Maximum price of the complete piston (with pin, spring-ring and rings): see Appendix 2.
318-1	BIELLE	CONNECTING ROD
	<p>Les bielles du moteur de série peuvent être conservées et homologuées en VR4-KIT (aucune modification autorisée).</p> <p>Une nouvelle bielle peut être homologuée en VR4-KIT</p> <ul style="list-style-type: none"> • Poids minimum de la nouvelle bielle : 550 g. • La forme et la longueur sont libres. 	<p>The connecting rods of the standard engine may be kept and homologated in VR4-kit (no modification allowed).</p> <p>A new connecting rod may be homologated in VR4-KIT.</p> <ul style="list-style-type: none"> • Minimum weight of the new connecting rod : 550 g. • Shape and length are free.

	<ul style="list-style-type: none"> • Seul l'acier est autorisé. • Le diamètre du maneton du moteur de série doit être conservé. • Les vis en alliage ferreux sont de conception libre. 4. Les vis d'un autre type de matériau sont autorisées avec un profil ISO et un diamètre de filetage minimum de 10 mm (M10 autorisé). • Prix maximum de la bielle : voir Annexe 2. 	<ul style="list-style-type: none"> • Only steel is authorised. • The diameter of the crankpin of the standard engine must be kept. • Screws made of iron-based alloys are of free design. • Screws made of another type of material are authorised with an ISO profile and a minimum thread diameter of 10 mm (M10 authorised). • Maximum price of the connecting rod: see Appendix 2.
319-1	VILEBREQUIN	CRANKSHAFT
	<p><u>Vilebrequin du moteur de base :</u> Le vilebrequin du moteur de série peut faire l'objet d'un traitement mécanique additionnel et d'allègements. Toutes modifications apportées doivent être homologuées en VR4-KIT. La largeur (voir Dessin n°3) des coussinets de paliers principaux et de paliers de bielle doit être conservée comme sur le moteur de série. Toutes les autres dimensions sont libres. Le poids minimum du vilebrequin doit être celui du vilebrequin du moteur de série (voir manuel d'homologation)</p> <p><u>Nouveau vilebrequin :</u> Un nouveau vilebrequin peut être homologué. Sa conception est libre à l'exception :</p> <ul style="list-style-type: none"> • De la taille (largeur des coussinets (voir Dessin n°3) et diamètre) des paliers principaux et des paliers de bielle qui doit être conservée comme sur le moteur de base. 5. Toutes les autres dimensions des coussinets et des cales de latéral sont libres. 6. Les nouvelles cales de latéral peuvent être conçues afin de complètement recouvrir la circonférence des paliers principaux même si ce n'est pas le cas sur le moteur de base. 7. L'usinage des chapeaux de paliers principaux et/ou du bloc moteur est autorisé dans ce seul but et la réduction de largeur des pièces des paliers principaux correspondantes n'est pas autorisée. • Du système de fixation du volant moteur qui doit être conservé comme sur le moteur de base. • Le moment d'inertie du nouveau vilebrequin doit être supérieur au moment d'inertie du vilebrequin du moteur de série • Du matériau qui doit être un des suivants : <ul style="list-style-type: none"> 8. 42CrMo4 9. 42CrMoV4 10. 32CrMo12 11. 32CrMoV12-10 12. 33CrMo12 13. 33CrMoV12-9. • Du poids minimum qui doit être de 12 kg. <p><u>Dans tous les cas :</u></p> <ul style="list-style-type: none"> • Les poulies / engrenages / pignons doivent être homologués. • Prix maximum du vilebrequin : voir Annexe 2. 	<p><u>Crankshaft of the base engine :</u> The crankshaft of the standard engine may be subjected to additional mechanical treatment and lightening. Any modifications made must be homologated in VR4-KIT. The main and connecting rod shell bearing width (see Drawing n°3) must be kept as on the standard engine. All other dimensions are free. The minimum weight of the crankshaft must be the one of the crankshaft of the standard engine (see homologation manual)</p> <p><u>New crankshaft :</u> A new crankshaft may be homologated. Its design is free with the exception of :</p> <ul style="list-style-type: none"> • The size (width of shell bearings (see Drawing n°3) and diameter) of the main and connecting rod bearings which must be kept as on the base engine. 14. All other dimensions of the shell and thrust shell bearings are free. 15. The new thrust shell bearings may be designed so that they cover completely the circumference of the main bearings even if it is not the case on the base engine. 16. The machining of the main bearing caps and/or the engine block is permitted for this sole purpose and reduction of width of the corresponding parts of the main bearings is not permitted. • The fixing system of the flywheel which must be kept as on the base engine. • The moment of inertia of the new crankshaft must be greater than the moment of inertia of the crankshaft of the standard engine • The material must be one of the following: <ul style="list-style-type: none"> 17. 42CrMo4 18. 42CrMoV4 19. 32CrMo12 20. 32CrMoV12-10 21. 33CrMo12 22. 33CrMoV12-9. • The minimum weight of the crankshaft must be 12 kg. <p><u>In all cases :</u></p> <ul style="list-style-type: none"> • Pulleys / gearing / pinions may be homologated. • Maximum price of the crankshaft : see Appendix 2.
320-1	VOLANT MOTEUR	ENGINE FLYWHEEL
	<p><u>Un nouveau volant moteur peut être homologué dans les conditions suivantes :</u></p> <ul style="list-style-type: none"> • Le poids minimum est de 3.5 kg avec les vis de fixation. • La couronne de démarreur peut être soudée et le diamètre minimum est de 250 mm. Seul l'acier est autorisé. 23. La couronne du démarreur doit être solidaire du volant moteur. • Il doit être fabriqué en une seule pièce à l'exception de la couronne de démarreur. • Prix maximum du volant moteur : voir Annexe 2. 	<p><u>A new engine flywheel may be homologated in the following conditions :</u></p> <ul style="list-style-type: none"> • The minimum weight is 3.5 kg with fixing screws. • The starter ring may be welded and the minimum diameter is 250 mm. Only steel is authorised. 24. The starter ring must be integrated with the engine flywheel. • It must be made in one piece with the exception of the starter ring. • Maximum price of the flywheel : see Appendix 2.
321-0	CULASSE	CYLINDER HEAD
	<p>Les modifications ci-après sont autorisées et doivent être homologuées :</p> <ul style="list-style-type: none"> • Usinage des passages des arbres à cames. 	<p>The following modifications are authorised and must be homologated :</p> <ul style="list-style-type: none"> • Machining of camshaft passages.

	<ul style="list-style-type: none"> Remplacement des sièges de soupapes. 25. Les nouveaux sièges de soupapes doivent provenir d'un modèle d'automobile d'un constructeur produit à plus de 2500 exemplaires. 26. La culasse peut être usinée dans le seul but de monter les sièges de soupapes. Usinage autorisé des conduits incluant les sièges et guides de soupapes. Les dimensions nominales des conduits d'admission ne doivent pas être modifiées Les dimensions nominales des conduits d'échappement ne doivent pas être modifiées Usinage de la chambre de combustion. Surfaçage plan de joint maxi 1 mm par rapport à la culasse de série pour ajustage taux (voir Art. 310-0). 27. 28. La hauteur de la culasse doit être homologuée. Usinage local uniquement pour le montage des injecteurs et de la pompe à carburant haute pression. Modification locale dans le seul but de modifier la position des goujons de fixation du collecteur d'échappement. Prix maximum de l'unité avec toutes les modifications : voir Annexe 2. 	<ul style="list-style-type: none"> Replacement of the valve seats. 29. New valve seats must come from a model of automobile of a manufacturer produced in a quantity of more than 2500 units. 30. 31. Machining of the head for the sole purpose of fitting the new seat is authorised. Machining of the ducts authorised, including the valve seats and valve guides. The nominal dimensions of the intake ports must not be modified The nominal dimensions of the intake ports must not be modified Machining of the combustion chamber. Surfacing of the gasket plane by max. 1 mm compared to the standard production cylinder head for adjusting the ratio (see Art. 310-0). 32. The height of the cylinder-head must be homologated. Local machining only for injectors and high pressure fuel pump mounting. Local modification only to change the position of the exhaust manifold studs. Maximum price of the unit with all modifications: see Appendix 2.
322-1	JOINT DE CULASSE	CYLINDER HEAD GASKET
	Un nouveau joint de culasse peut être homologué.	A new cylinder head gasket may be homologated.
324	SYSTEME D'INJECTION	INJECTION SYSTEM
324-a1	<p>Un nouveau système peut être homologué.</p> <p>La pompe et les injecteurs de production de série doivent provenir d'un modèle d'automobile d'un constructeur produit à plus de 2500 exemplaires.</p> <p>Les raccords de canalisations d'essence montés sur la pompe haute-pression de série peuvent être modifiés.</p> <p>Le nombre maximum d'injecteurs est équivalent au nombre de cylindres.</p> <p>Une nouvelle rampe d'injection peut être homologuée : conception libre mais dotée de raccords vissés destinés à y connecter les canalisations et le régulateur de pression d'essence.</p> <p>Tout système d'injection supplémentaire (par ex. eau) est interdit.</p>	<p>A new system may be homologated.</p> <p>Series productions injectors and pump must come from a model of automobile of a manufacturer produced in a quantity of more than 2500 units.</p> <p>The fittings of the fuel lines on the series high pressure fuel pump may be modified.</p> <p>The maximum number of injectors is equal to the number of cylinders.</p> <p>A new injector rail may be homologated: free design but fitted with threaded connectors for connecting the lines and the fuel pressure regulator.</p> <p>Any additional injection system (i.e. water ...) is prohibited.</p>
324-a2	ECU	ECU
	<p>Les éléments suivants doivent être homologués :</p> <ul style="list-style-type: none"> Boîtier de contrôle moteur. Driver GDI. <p>Prix maximum du kit incluant tous les composants électroniques homologués conformément aux Art. 324-a2 et 324-a3 + faisceau moteur complet (voir ci-dessous)</p>	<p>The following components must be homologated :</p> <ul style="list-style-type: none"> Engine Control unit. GDI Driver. <p>Maximum price of the kit including all homologated electronic components as in Art. 324-a2 and 324-a3 + complete engine loom (see below).</p>
324-a3	Liste des capteurs / actionneurs	List of Sensors / Actuators
	<p>Les entrées dans l'ECU (capteurs, actionneurs, etc.), incluant leurs fonctions, doivent être homologuées en VR4-KIT.</p> <p>Tous les faisceaux électriques reliant les actionneurs et les capteurs mentionnés ci-dessous (à l'exception de : Température d'huile de boîte de vitesses / Température d'huile de différentiel / Pression de freins / Vitesse véhicule / Ventilateur de refroidissement pour le différentiel arrière) à l'ECU doivent être homologué (schéma de principe + référence) en variante VR4-KIT.</p> <p>La liste des capteurs admis est fournie à l'Art. 324-a3.</p> <p>Capteurs</p> <p>Seuls les capteurs suivants peuvent être homologués en VR4-KIT :</p> <ul style="list-style-type: none"> Position papillon (nombre : 2) Position pédale (nombre : 2) Position vilebrequin (nombre : 1) Position arbre à cames (nombre : 1) 	<p>Inputs to the ECU (sensors, actuators, etc.), including their functions, must be homologated in VR4-KIT.</p> <p>All electrical looms connecting the actuators and the sensors mentioned below (except : Gearbox oil temperature / Differential oil temperature / Brake pressure / Vehicle speed / Fan for cooling the rear differential) to the ECU must be homologated (schematic diagram + reference) in VR4-KIT variant.</p> <p>The list of sensors authorised is given in Art. 324-a3.</p> <p>Sensors</p> <p>Only the following sensors may be homologated in VR4-KIT:</p> <ul style="list-style-type: none"> Throttle position (number: 2) Pedal Position (number : 2) crankshaft position (number: 1) camshaft position (number: 1)

	<ul style="list-style-type: none"> • position VVT (nombre : 2) • pression d'huile moteur (nombre : 1) • température d'eau (nombre : 1) • température d'huile moteur (nombre : 1) • température d'huile de boîte de vitesses (nombre : 1) • température d'huile de différentiel (nombre : 1) • rapport engagé (nombre : 1) • capteur de coupure (coupure injection et / ou allumage) • sonde Lambda (nombre : 1) • température d'air ambiant (nombre : 1) • pression d'air ambiant (nombre : 1) • pression d'air collecteur admission (nombre : 1) • pression de freins (nombre : 1 avant et 1 arrière) • pression d'essence (nombre : 2) • détecteur de cliquetis (nombre : 1) • vitesse véhicule (effet Hall ou inductif) (nombre : 1) 33. stratégies autorisées par la FIA uniquement • pression turbo avant papillon • vitesse turbo (nombre : 1) • température gaz échappement (nombre : 1) • température collecteur d'admission (nombre : 1) • pression eau (nombre : 1) 	<ul style="list-style-type: none"> • VT position (number: 2) • engine oil pressure (number: 1) • water temperature (number: 1) • engine oil temperature (number: 1) • gearbox oil temperature (number: 1) • differential oil temperature (number: 1) • gear ratio indicator (number: 1) • cut-off sensor (cutting the injection and / or ignition) • lambda probe (number: 1) • ambient air temperature (number: 1) • ambient air (number: 1) • intake manifold air pressure (number: 1) • brake pressure (number: 1 front and 1 rear) • fuel pressure (number: 2) • knocking detector (number: 1) • vehicle speed (Hall effect or inductive FIA) (number: 1) 34. authorized strategies only • turbo pressure before throttle • turbo speed (number: 1) • exhaust gas temperature (number: 1) • intake manifold temperature (number: 1) • water pressure (number: 1)
324-a3	<p>Actuateurs</p> <p>Seuls les actuateurs suivants peuvent être homologués et ils ne doivent être contrôlés que par l'ECU (direct ou via CAN) :</p> <ul style="list-style-type: none"> • pompes à essence • injecteurs (nombre : 4) • bobines (nombre : 4) • régulateur de pression d'essence si piloté électroniquement • wastegate • pompe à huile • papillon motorisé • système de contrôle de charge de l'alternateur • VT • ventilateurs • actionneur pour déverrouillage de marche arrière (inclus dans le 	<p>Actuators</p> <p>Only the following actuators may be homologated and they must be controlled by the ECU (direct or via CAN) :</p> <ul style="list-style-type: none"> • fuel pumps • injectors (number: 4) • coils (number: 4) • fuel pressure regulator if electronically driven • wastegate • oil pump • electric throttle • alternator charge control system • VT • fans • reverse locking actuator (included into the price of the gearbox)

	prix de la boîte de vitesses)	
325	DISTRIBUTION	<ul style="list-style-type: none"> • IMING
325-2	(Arbres à cames, VVT, etc.)	(Camshaft, VVT etc.)
	Levée 11 mm maxi (ceci est un maximum sans tolérance). La loi de levée doit être homologuée en VR4-KIT. <ul style="list-style-type: none"> • Le nombre d'arbres à cames doit être conservé. • Les arbres à cames doivent être homologués en VR4-KIT. • Prix maximum de l'arbre à cames : voir Annexe 2. 	Maximum lift 11 mm (this is a maximum with no tolerance). The lift rule must be homologated in VR4-KIT. <ul style="list-style-type: none"> • The number of camshaft must remain unchanged. • Camshafts must be homologated in VR4-KIT. • Maximum price of the camshaft: see Appendix 2.
325-3	Les poulies / engrenages / pignons montés sur les arbres à cames sont libres mais doivent être homologués en VR4-KIT.	The pulleys / gearing / pinions fitted on the camshafts are free but must be homologated in VR4-KIT.
325-3	La courroie / chaîne de distribution doit être homologuée en VR4-KIT.	The timing belt / chain must be homologated in VR4-KIT.
325-f2	Poussoirs / Culbuteurs	Tappets / Rocker arms
	Les poussoirs et/ou culbuteurs du moteur de série ne doivent pas être modifiés. Ils doivent être homologués.	The tappets and/or rocker arms of the standard engine must not be modified. They must be homologated.
327	SYSTEME D'ADMISSION	INTAKE SYSTEM
327-a1	Collecteur d'admission	Intake manifold
	La soupape EGR doit être enlevée, toute modification doit être homologuée. Il est possible d'homologuer des renforts du collecteur d'admission du moteur de série et des usinages externes, ou un nouveau collecteur en fonderie d'alliage d'aluminium mais : <ul style="list-style-type: none"> • Le poids de cette version modifiée ou nouvelle version doit être au moins 15 % plus élevé que celle de série. • La dimension interne (forme / volume) des tuyaux et conduits d'admission d'origine ne doit pas être modifiée. Un tuyau FIA (voir Annexe 1) sera positionné après le papillon pour installer le système de contrôle de suralimentation FIA (Soupape de décharge). Dans le seul but de fixer le tuyau FIA, il est autorisé d'ajouter des pièces entre le collecteur d'admission et tuyau FIA ainsi qu'entre le tuyau FIA et le boîtier papillon. Le système de contrôle de suralimentation FIA doit être facilement visible et accessible. La liaison entre le collecteur d'admission et le collecteur d'échappement n'est pas autorisée, même si elle est montée sur le moteur de série : toute modification nécessaire doit être homologuée. Prix maximum du collecteur d'admission : voir Annexe 2.	The EGR valve must be removed; any modification must be homologated. It is possible to homologate reinforcement to the intake manifold of the standard engine and external machining, or a new manifold in aluminium alloy casting but: <ul style="list-style-type: none"> • The weight of this modified or new version must be at least 15% greater than the series one. • The internal dimension (shape / volume) of the original inlet ports and pipes must not be modified. A FIA pipe (see Appendix 1) will be positioned after the Throttle valve to fit the FIA boost control system (Pop off Valve). For the sole purpose of fitting the FIA pipe, it is permitted to add parts between the intake manifold and the FIA pipe, as well as between the FIA pipe and the throttle body. The FIA boost control system must be clearly visible and easily accessible. The connection between the intake and the exhaust manifold is not allowed, even if it fitted on the series engine: any necessary modification must be homologated. Maximum price of the Intake manifold: see Appendix 2.
327-d1	Soupapes	Valves
	Elles doivent être homologuées en VR4-KIT. <ul style="list-style-type: none"> • Le matériau des soupapes doit être un alliage de nickel ou de l'acier. • Le diamètre des soupapes ne doit pas être modifié. • Le diamètre de tige de soupape ne peut être qu'augmenté • Les autres dimensions caractéristiques des soupapes de série, doivent être conservées, y compris les angles respectifs des axes de soupapes et la longueur. • La forme de la tête de soupape est libre. • Les soupapes refroidies sont autorisées. • Prix maximum de la soupape d'admission / soupape d'échappement : voir Annexe 2. 	They must be homologated in VR4-KIT. <ul style="list-style-type: none"> • The valve material must be Nickel alloy or steel. 35. • The diameter of the valves must not be modified. • The valve stem diameter can only be increased. • The other characteristic dimensions (length) of the standard valves, must be retained, including the respective angles of the valve axes and the length. • The shape of the valve head is free. • Cooled valve are allowed. • Maximum price of the intake valve / exhaust valve: see Appendix 2.
327-d10	Boîtier papillon	Throttle valve housing
	Si le véhicule de série est équipé d'un papillon motorisé, un kit de papillon à commande mécanique ou un autre type de papillon motorisé peuvent être homologués en VR4-KIT. Un nouveau papillon peut être homologué aux conditions suivantes	If the series engine is fitted with a motorised throttle valve, a mechanical throttle kit or another type of motorised throttle valve may be homologated in VR4-KIT. A new throttle valve may be homologated on the following

	<p>:</p> <ul style="list-style-type: none"> Papillon motorisé provenant d'un modèle d'automobile d'un constructeur produit à plus de 2500 exemplaires. 36. Diamètre minimum de 39.75 mm. Diamètre maximum de 50.25 mm. Prix maximum du boîtier papillon : voir Annexe 2. <p>A cet effet, il est autorisé de modifier localement le collecteur d'admission par usinage et ajout de matière ; cette modification doit être homologuée.</p>	<p>conditions :</p> <ul style="list-style-type: none"> Motorised throttle valve which comes from a model of automobile of a manufacturer produced in a quantity of more than 2500 units. Minimum diameter of 39.75 mm. Maximum diameter of 50.25 mm. Maximum price of the throttle valve housing: see Appendix 2. <p>To this end, the intake manifold may be modified locally through machining and the addition of material; this modification must be homologated.</p>
327-h0	Ressort de soupape d'admission	Intake valve spring
	Ils doivent être homologués en VR4-KIT.	They must be homologated in VR4-KIT.
327-h1	Coupelle de ressort de soupape d'admission	Intake valve spring cup
	Elles doivent être homologués en VR4-KIT.	They must be homologated in VR4-KIT.
328	SYSTEME D'ÉCHAPPEMENT	EXHAUST SYSTEM
328-d1	Soupapes	Valves
	<p>Elles doivent être homologués en VR4-KIT.</p> <ul style="list-style-type: none"> Le matériau des soupapes doit être un alliage de nickel ou de l'acier. Le diamètre des soupapes ne doit pas être modifié. Le diamètre de tige de soupape ne peut être qu'augmenté. Les autres dimensions caractéristiques des soupapes de série, doivent être conservées, y compris les angles respectifs des axes de soupapes et la longueur. La forme de la tête de soupape est libre. Les soupapes refroidies sont autorisées. Prix maximum de la soupape d'admission / soupape d'échappement : voir Annexe 2. 	<p>They must be homologated in VR4-KIT.</p> <ul style="list-style-type: none"> The valve material must be Nickel alloy or steel. 37. The diameter of the valves must not be modified. The valve stem diameter can only be increased. The other characteristic dimensions (length) of the standard valves, must be retained, including the respective angles of the valve axes and the length. The shape of the valve head is free. Cooled valve are allowed. Maximum price of the intake valve / exhaust valve: see Appendix 2.
328-h1	Ressort de soupape d'échappement	Exhaust valve spring
	Ils doivent être homologués en VR4-KIT.	They must be homologated in VR4-KIT.
328-h3	Coupelle de ressort de soupape d'échappement	Exhaust valve spring cup
	Elles doivent être homologués en VR4-KIT.	They must be homologated in VR4-KIT.
328-p1	Collecteur d'échappement	Exhaust manifold
	<p>Le collecteur d'échappement du moteur de série peut être conservé et homologué en VR4-KIT (aucune modification autorisée).</p> <p>Un nouveau collecteur d'échappement peut être homologué en VR4-KIT aux conditions suivantes :</p> <ul style="list-style-type: none"> Il doit être constitué de 4 tubes uniformes (c.-à-d. de mêmes dimensions) d'une épaisseur minimale de 1.5 mm. Seuls l'acier inoxydable ou la fonte sont autorisés. Des plaques en acier d'au moins 8 mm d'épaisseur seront utilisées pour relier les 4 tubes et la face de montage sur la culasse. 38. Une pièce de liaison d'une longueur maximale de 50 mm peut être utilisée pour relier ces 4 tubes à la plaque. 39. Une pièce de liaison d'une longueur maximale de 70 mm peut être utilisée pour relier les 4 tubes du côté du turbocompresseur. Aucune partie du turbocompresseur ne peut être située au-dessous de l'axe du vilebrequin. En aval du turbocompresseur, les systèmes d'échappement variables sont interdits. 40. Si le véhicule est initialement équipé d'un tel système, celui-ci doit être rendu inopérant : toute modification nécessaire doit être homologuée. Prix maximum du collecteur d'échappement : voir Annexe 2. 	<p>The exhaust manifold of the standard engine may be kept and homologated in VR4-kit (no modification allowed).</p> <p>A new exhaust manifold may be homologated in VR4-KIT in the following conditions :</p> <ul style="list-style-type: none"> It must be made up of 4 uniform tubes (i.e. same dimensions) with a minimum thickness of 1.5 mm. Only stainless steel or cast iron are authorised. Steel plates at least 8 mm thick will be used to join the 4 tubes and the mounting to the cylinder head. 41. A connecting part with a maximum length of 50 mm may be used to join these 4 tubes to the plate. 42. A connecting part with a maximum length of 70 mm may be used to join the 4 tubes on the turbocharger side. No part the turbocharger may be situated below the axis of the crankshaft. Upstream of the turbocharger, variable exhaust systems are prohibited. 43. If the vehicle is originally equipped with such a system, it must be rendered inoperative: necessary modification must be homologated. Maximum price of the exhaust manifold: see Appendix 2.
329	ARBRES D'ÉQUILIBRAGE	BALANCING SHAFTS
329-0	Si le moteur d'origine comporte des arbres d'équilibrage, ceux-ci pourront être supprimés ainsi que leurs systèmes d'entraînement. Toute modification doit être homologuée en VR4-KIT.	If the original engine was fitted with balancing shafts, these may be removed together with their drives. All modifications must be homologated in VR4-KIT.
331	REFROIDISSEMENT D'EAU MOTEUR	ENGINE WATER COOLING

	Système d'entraînement pour pompe à eau	Driving system for water pump
331-01	La pompe à eau et son système d'entraînement doivent être homologués en VR4-KIT. Un nouveau système d'entraînement peut être homologué. La pompe à eau doit provenir d'un modèle d'automobile d'un constructeur produit à plus de 2500 exemplaires. L'axe de la pompe à eau doit se trouver dans le compartiment moteur au-dessus de l'axe du vilebrequin ou au-dessus de la position d'origine.	The water pump and its drive system must be homologated in VR4-KIT. A new drive system may be homologated. The water pump must come from a model of automobile of a manufacturer produced in a quantity of more than 2500 units. The centreline of the water pump must be situated in the engine bay, above the centreline of the crankshaft or above the original position.
333	SYSTEME DE LUBRIFICATION	LUBRICATION SYSTEM
	Carter d'huile	Oil sump
333-b1	Il est possible d'homologuer un nouveau carter d'huile. <ul style="list-style-type: none"> Le carter d'huile doit être en tôle d'acier. 44. Sa seule fonction doit être celle de contenir de l'huile. Le nombre de fixations ne peut pas être supérieur à l'origine. L'ajout de 4 canalisations avec soupapes de contrôle du débit pour refroidir les pistons est autorisé. 45. Cette modification doit être homologuée. Le carter sec n'est pas autorisé. Prix maximum du carter d'huile : voir Annexe 2. 	It is possible to homologate a new oil sump. <ul style="list-style-type: none"> The oil sump must be made from steel sheet. 46. Its sole function must be that of containing oil. The number of mounting points must not exceed the original. The addition of 4 oil pipes with flow control valves for cooling the pistons is authorised. 47. This modification must be homologated. Dry sump is not allowed. Maximum price of the oil sump: see Appendix 2.
	Pompe à huile	Oil pump
333-b4	La pompe à huile du moteur de série doit être conservée, seules les modifications suivantes peuvent être homologuées : <ul style="list-style-type: none"> son éventuel couvercle ainsi que sa position dans le carter d'huile doivent rester d'origine mais l'intérieur du corps et le couvercle peuvent être usinés le système de régulation de la pression d'huile peut être modifié modifications locales dans le seul but d'adapter des crépines <ul style="list-style-type: none"> Un système pour lubrifier le turbo peut être ajouté (canalisation sous pression avec fixations depuis une connexion sur le bloc moteur, ou la culasse, jusqu'au turbocompresseur et une canalisation de retour depuis le turbocompresseur jusqu'au carter d'huile ou bloc moteur). Le système d'entraînement de la pompe à huile doit être homologué en VR4-KIT. Le montage d'un tendeur de chaîne de pompe à huile est autorisé. 	The oil pump of the standard engine must be kept, only the following modifications may be homologated : <ul style="list-style-type: none"> its cover, if any, as well as its position inside the oil sump must remain original, but the inside of the housing and its cover may be machined the oil pressure regulation system may be modified 48. local modifications for the sole purpose of fitting pump strainers <ul style="list-style-type: none"> A system to lubricate the turbo may be added (pressure pipe with fittings from a connection on the engine block, or the cylinder head, to the turbo charger and a reverse pipe from the turbo charger to the oil sump or engine block). The drive system of the oil pump must be homologated in VR4-KIT. The fitting of an oil pump chain tensioner is permitted.
4.	CIRCUIT DE CARBURANT	FUEL CIRCUIT
401	RESERVOIR DE CARBURANT	FUEL TANK
401-a1	Il doit provenir d'un constructeur agréé par la FIA (Spécifications minimales FIA/FT3, FIA/FT3.5 et FIA/FT3 1999). Un seul réservoir peut être homologué. Spécifications : <ul style="list-style-type: none"> Capacité minimale de 80 litres et capacité maximale de 110 litres. 49. Les pompes et les réservoirs tampons doivent être placés dans le réservoir. Il doit être composé de 8 faces planes. Prix maximum du réservoir de carburant : voir Annexe 2. Emplacement du réservoir : voir annexe 1.	It must come from an FIA-approved manufacturer (FIA/FT3, FIA/FT3.5 and FIA/FT3 1999 minimum specifications). One single fuel tank may be homologated. Spécifications : <ul style="list-style-type: none"> Minimum capacity of 80 litres and maximum capacity of 110 litres. The pumps and the buffer tanks must be placed in the tank. 50. It must be made with 8 flat sides. Maximum price of the fuel cell: see Appendix 2. Location of the fuel tank : see appendix 1.
5.	EQUIPEMENT ELECTRIQUE	ELECTRICAL EQUIPMENT
502	ALTERNATEUR / GENERATEUR / DEMARREUR	ALTERNATOR / GENERATOR / STARTER
502-alt1	L'alternateur doit être homologué et doit être conforme aux conditions suivantes : <ul style="list-style-type: none"> La marque et le type sont libres à condition qu'ils proviennent d'un modèle d'automobile d'un constructeur produit à plus de 2500 exemplaires. L'emplacement peut être homologué dans les limites d'un rayon de 150 mm basé sur l'emplacement de l'alternateur de série du moteur spécifique Poids minimum 4 kg (sans poulie). Prix maximum de l'alternateur : voir Annexe 2. Support d'alternateur : conception libre / il doit être homologué en	The alternator must be homologated and must comply with the following conditions : <ul style="list-style-type: none"> The make and type are free, provided that they come from a model of automobile of a manufacturer produced in a quantity of more than 2500 units. The location may be homologated within the limit of 150mm radius based on the standard alternator location of the specific engine. Minimum weight 4 kg (without pulley). Maximum price of the alternator: see Appendix 2. Alternator support : free design / it must be homologated in VR4-

	<p>VR4-KIT.</p> <p><u>Poulie d'alternateur</u> : conception libre / elle doit être homologué en VR4-KIT.</p> <p><u>Démarrreur</u> : Le démarrreur doit être homologué et doit être conforme aux conditions suivantes :</p> <ul style="list-style-type: none"> • La marque et le type sont libres à condition qu'ils proviennent d'un modèle d'automobile d'un constructeur produit à plus de 2500 exemplaires. • Son emplacement doit être homologué. 	<p>KIT.</p> <p><u>Alternator pulley</u> : free design / it must be homologated in VR4-KIT.</p> <p><u>Starter motor</u> : The starter motor must be homologated and must comply with the following conditions :</p> <ul style="list-style-type: none"> • The make and type are free, provided that they come from a model of automobile of a manufacturer produced in a quantity of more than 2500 units. • Its position must be homologated.
6.	TRANSMISSION	TRANSMISSION
602	EMBRAYAGE	CLUTCH
602-b1	<p>Un nouvel embrayage peut être homologué aux conditions suivantes :</p> <ul style="list-style-type: none"> • Le diamètre d'origine peut être conservé. • Si le diamètre de l'embrayage n'est pas conservé le diamètre minimum de l'embrayage est de 183 mm. • Il devra comporter au maximum 2 disques de friction. • Il devra être de type céramétique. • Prix maximum du kit complet embrayage + disques d'embrayage : voir Annexe 2. 	<p>A new clutch may be homologated on the following conditions :</p> <ul style="list-style-type: none"> • The original diameter may be retained. • If the original diameter is not retained, the minimum diameter of the clutch is 183 mm. • It must have a maximum of 2 friction discs. • It must be of the cerametallic type. • Maximum price of the complete clutch + clutch discs kit: see Appendix 2.
602-b4	<p>Commande d'embrayage</p> <p>La commande d'embrayage (maitre-cylindre / voir annexe J) doit être homologuée en VR4-KIT.</p>	<p>Clutch control</p> <p>The clutch control (master cylinder / see appendix J) must be homologated in VR4-KIT.</p>
603	BOITE DE VITESSES / DIFFERENTIEL ARRIERE	GEARBOX / REAR DIFFERENTIAL
603-b1	<p>Boîte de vitesses et différentiel arrière</p> <p>La transmission (boîte de vitesses et différentiel arrière) doit être conforme à l'Annexe 3. Une boîte de vitesses peut être homologuée aux conditions suivantes :</p> <ul style="list-style-type: none"> • Kit boîte de vitesses séquentielle. • 5 rapports avant maximum + marche arrière. • Lubrification : voir Annexe 3. • Boîtier en alliage d'aluminium d'une épaisseur minimum de 5.5 mm : voir Annexe 3. • Largeur des pinions : voir Annexe 3. • 2 jeux de rapports de boîte peuvent être homologués. • Prix maximum de la boîte de vitesses complète + différentiel avant + différentiel arrière + dispositifs de refroidissement (si partie de la transmission) + système de déverrouillage avant / arrière : voir Annexe 2. 	<p>Gearbox and rear differential</p> <p>Transmission (Gearbox and rear differential) must comply with Appendix 3. A gearbox may be homologated in the following conditions :</p> <ul style="list-style-type: none"> • Sequential gearbox kit. • Maximum 5 forward ratios + reverse gear. • Lubrication : see Appendix 3. • Housing in aluminium alloy of a minimum thickness of 5.5 mm : see Appendix 3. • Width of the pinions : see Appendix 3. • 2 sets of gearbox ratios may be homologated. • Maximum price of the complete gearbox + front differential + rear differential + cooling devices (if part of the transmission) + front/rear unlocking system: see Appendix 2. 51.
605	COUPLE FINAL ET DIFFERENTIEL	FINAL DRIVE AND DIFFERENTIAL
605-a1	<p>Couple final</p> <p>1 jeu de rapports peut être homologué en VR4-KIT. Voir Annexe 3.</p>	<p>Final drive</p> <p>1 set of ratio may be homologated in VR4-KIT. See Appendix 3.</p>
605-d1	<p>Différentiels</p> <p>L'homologation d'un différentiel avant et arrière à glissement limité de type mécanique est autorisée en VR4-KIT, à condition qu'il puisse être installé à l'intérieur du carter d'origine ou du carter homologué (voir Annexe 3). 2 combinaisons d'angles de rampes par différentiel seront homologuées au maximum.</p> <ul style="list-style-type: none"> • Pré-charge négative interdite. 52. Aucun ajustement externe pour pré-charge positive. • Revêtement des disques de friction : voir Annexe 3. • 8 faces de friction par côté sont autorisées à cette fin. • Pas de cassette de différentiel amovible. • Pas de roulements avec éléments roulants à l'intérieur du système autobloquant, ni pour guider les sorties. • Roulements avec éléments roulants uniquement pour guider le 	<p>Differentials</p> <p>The homologation of a front and rear mechanical type limited slip differential in VR4-KIT is authorised, provided that it can fit inside the series housing or the homologated housing (see Appendix 3). A maximum of 2 ramp angles combinations per differential will be homologated.</p> <ul style="list-style-type: none"> • Negative preload prohibited. No external adjustment for positive preload. • Coating of the friction discs: see Appendix 3. • 8 friction faces per side are allowed for this purpose. • No removable differential cassette. • No bearing with rolling elements inside the self-locking system, nor for guiding the exits. • Bearings with rolling elements only for guiding the differential

	carter du différentiel et pour ajuster le jeu latéral du couple conique (douille à aiguille uniquement).	housing and to set the side bevel gear play (needle bearing only).
	Le découplage du couple final arrière doit être commandé manuellement par le pilote, au moyen d'un système hydraulique commandé par un maître-cylindre qui déconnecte la transmission avant et arrière commandée directement par le frein à main et le pilote.	The actuation of the rear drive disconnect must be manually controlled by the driver, by use hydraulic system driven by a master cylinder which disconnects the front and rear transmission directly controlled by the handbrake and the driver.
606	ARBRES DE TRANSMISSION TRANSVERSAUX ET LONGITUDINAUX	TRANSVERSE AND LONGITUDINAL TRANSMISSION SHAFTS
606-c1	Arbre transversal	Transverse shafts
	Il est autorisé d'homologuer de nouveaux demi-arbres en VR4-KIT. <ul style="list-style-type: none"> • Diamètre minimum : 26 mm plein. • Diamètre extérieur (OD) minimum de la cannelure : 29 mm sur le côté roue, entre le CV joint et le moyeu. • Côté boîte de vitesses, l'entraînement sera un manchon cannelé avec un diamètre externe compris entre 33.5 et 35 mm. • Arrêt en translation par bague ou ressort de poussée. • Joints homocinétiques provenant d'un modèle d'automobile d'un constructeur produit à plus de 2500 exemplaires. • Prix maximum de l'arbre transversal : voir Annexe 2. Le même système sera utilisé pour l'essieu arrière.	It is authorised to homologate new half shafts in VR4-KIT. <ul style="list-style-type: none"> • Minimum diameter: 26 mm full. • Minimum outside diameter (OD) of the spline: 29 mm on the wheel side, between the CV joint and the hub. • On the gearbox side, the drive will be by a spline shank with an external diameter of between 33.5 and 35 mm. • Stop in translation by ring or pressure spring. • Constant velocity joints coming from a model of automobile of a manufacturer produced in a quantity of more than 2500 units. • Maximum price of transverse driveshaft: see Appendix 2. The same system will be used for the rear axle.
	Arbre longitudinal	Longitudinal shaft
	<ul style="list-style-type: none"> • Joints universels provenant d'un d'un modèle d'automobile d'un constructeur produit à plus de 2500 exemplaires ou d'une production mécanique standard. • Le poids minimum de l'arbre de transmission complet (sans palier central) est de 10kg. • Les tubes ne doivent pas être usinés et doivent provenir d'un catalogue commercial. 53. Avec les dimensions suivantes : <ul style="list-style-type: none"> - diamètre extérieur minimum de 50 mm - épaisseur minimale de 1.5 mm - inertie minimale d'un tube de 50x2 mm Le palier central doit être homologué en VR4-KIT. Adaptabilité du « kit-R4 » pour plusieurs type de voiture : Il est possible d'homologuer : <ul style="list-style-type: none"> - Une pièce intermédiaire uniquement destinée à adapter l'arbre longitudinal homologué en VR4-KIT - Des arbres de longueur différente : seule la longueur doit être modifiée <ul style="list-style-type: none"> • Prix maximum de l'arbre longitudinal : voir Annexe 2. 	<ul style="list-style-type: none"> • Universal-joints derived from a model of automobile of a manufacturer produced in a quantity of more than 2500 units or standard mechanical production. • The minimum weight of the complete longitudinal shaft (without centre bearing) is 10kg. • The tubes must not be machined and must come from tubes coming from a commercial catalogue. 54. With the following dimensions: <ul style="list-style-type: none"> - minimum outer diameter of 50 mm - minimum thickness of 1.5 mm - minimum inertia of a 50x2 mm tube The centre bearing must be homologated in VR4-KIT. Adaptability of the "R4-Kit" to several types of car : It is possible to homologate : <ul style="list-style-type: none"> - An intermediate part only for adapting the longitudinal shaft homologated in VR4 -KIT - Shafts of different length: only the length may be changed <ul style="list-style-type: none"> • Maximum price of longitudinal driveshaft: see Appendix 2.
7.	ESSIEUX-SUSPENSIONS	AXLES-SUSPENSIONS
701	ESSIEUX AVANT ET ARRIERE	FRONT AND REAR AXLES
701-b1	Moyeux avant et arrière	Front and rear hubs
	Des moyeux avant et arrière peuvent être homologués aux conditions suivantes : <ul style="list-style-type: none"> • Les 4 moyeux doivent être identiques. • Le moyeu doit provenir d'un modèle d'automobile d'un constructeur produit à plus de 2500 exemplaires • Le moyeu peut être modifié • Ils doivent être en acier. • Prix maximum des moyeux avec goujons : voir Annexe 2. 	Front and rear hubs may be homologated in the following conditions : <ul style="list-style-type: none"> • The 4 hubs must be identical. • The hub must be coming from a model of automobile of a manufacturer produced in a quantity of more than 2500 units • The hub may be modified • They must be made from steel. • Maximum price of hub with studs: see Appendix 2.
701-c1	Porte-moyeux avant et arrière	Front and rear hubcarriers
	Les 4 porte-moyeux nus doivent être identiques. <ul style="list-style-type: none"> • Le poids minimum du porte-moyeu nu doit être de 5 kg et il doit être fabriqué en alliage d'aluminium. • Leur poids minimum est de 10 kg, ils sont équipés avec : <ul style="list-style-type: none"> - tous les supports fixes sur le porte-moyeu, incluant tous les boulons de fixation - moyeux et roulements - goujons de roues - la fixation de l'élément porteur (si elle ne fait pas partie du 	The 4 bare hubcarriers must be identical. <ul style="list-style-type: none"> • The minimum weight of the bare hubcarrier must be 5 kg and it must be made in aluminium alloy. • The minimum weight is 10 kg, equipped with : <ul style="list-style-type: none"> - all the brackets which are fixed to the hubcarrier, including all the fixation bolts - hubs and bearings - wheel studs - the fixation of the strut (if not part of the bare hubcarrier), but

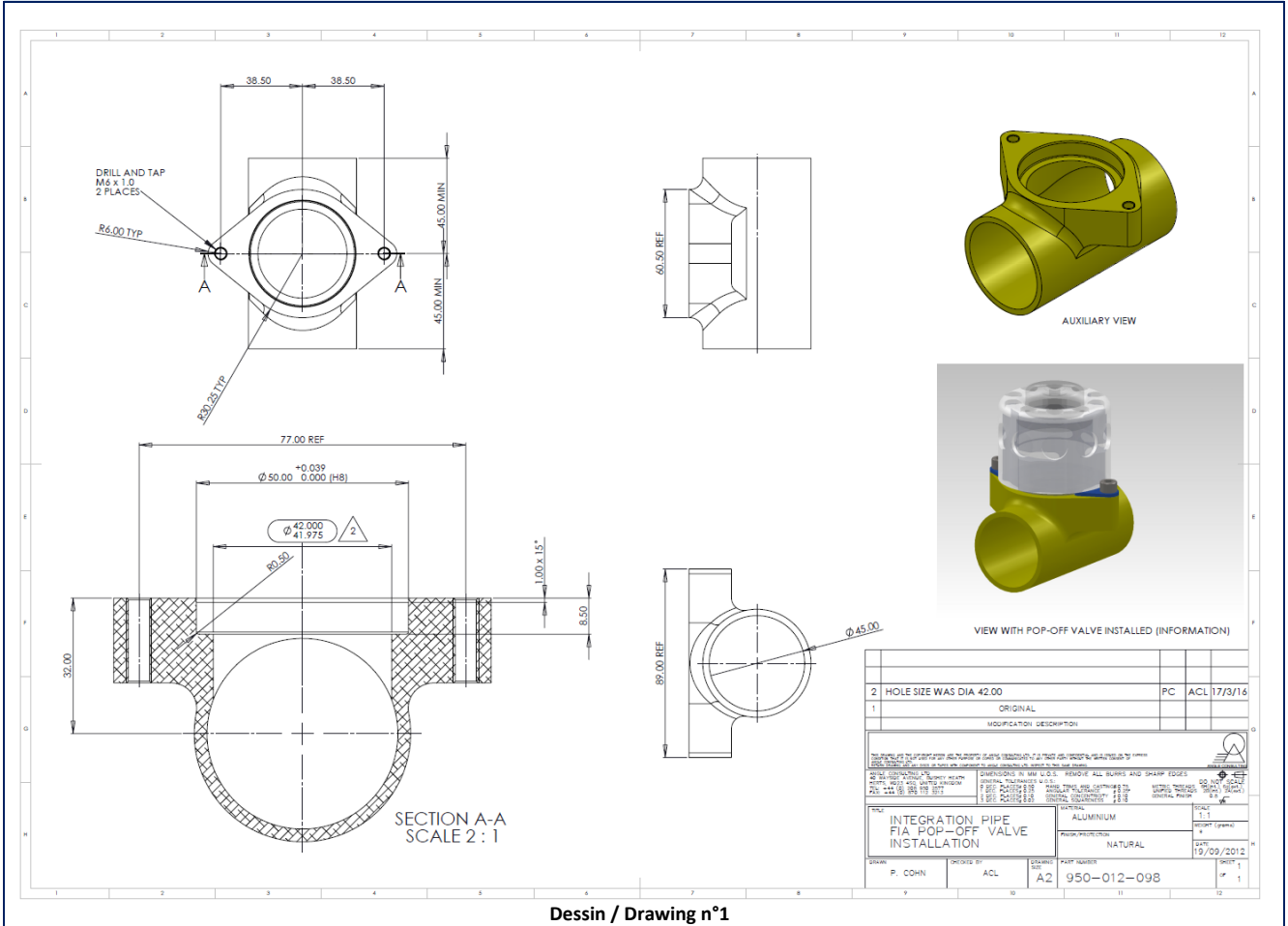
	<p>porte-moyeux nu) mais pas l'élément porteur lui-même</p> <ul style="list-style-type: none"> Le diamètre maximum de la bague intérieure des roulements est de 100 mm. Roulement : Un roulement de roue combiné à double rangées de billes ou rouleaux, à flasque boulonnée sur le porte moyeu est autorisé. Il doit être dérivé d'un modèle d'automobile d'un constructeur produit à plus de 2500 exemplaires Il est possible d'homologuer des fixations et des cales de réglage comme suit : <ul style="list-style-type: none"> 2 points d'ancrage de triangle inférieur (pivot) 2 supports de levier de direction 2 points d'ancrage de biellette de parallélisme arrière 2 fixations d'étrier de frein 2 fixations de l'élément porteur au porte-moyeu 1 type de cale de carrossage (la dimension permettant d'ajuster le carrossage peut varier) Prix maximum du porte-moyeu : voir Annexe 2. Prix maximum du kit supports porte-moyeu (y compris 1 jeu de cales de carrossage) : voir Annexe 2. 	<p>not the strut itself</p> <ul style="list-style-type: none"> The maximum diameter of the bearing inner ring is 100 mm. Bearing : A combined double row angular wheel bearing or bearings with a flange bolted onto the hub carrier is allowed. It must be derived from a model of automobile of a manufacturer produced in a quantity of more than 2500 units It is possible to homologate brackets and camber spacers as follows : <ul style="list-style-type: none"> 2 lower wishbone pick up point (king pin) 2 steering arm brackets 2 rear toe link pick up point 2 fixation of the brake calliper 2 fixation of the strut to the hubcarrier 1 type of camber spacer (the dimension which allows the adjustment of the camber may vary) Maximum price of hubcarrier: see Appendix 2. Maximum price of hubcarrier brackets kit (including 1 set of camber spacers) : see Appendix 2.
701-d1	<p>Triangles avant et arrière</p> <p>Le principe de fonctionnement de type McPherson est obligatoire à l'avant et à l'arrière. Au total, 2 triangles peuvent être homologués en VR4-KIT. 1 biellette de parallélisme arrière et son poids peuvent être homologués en VR4-KIT.</p> <ul style="list-style-type: none"> Le poids minimum de chaque assemblage complet (avec paliers) est de 3000 g. Prix maximum des triangles avant / arrière : voir Annexe 2. 	<p>Front and rear wishbones</p> <ul style="list-style-type: none"> The McPherson type operating principle is obligatory at the front and at the rear. In total 2 wishbones may be homologated in VR4-KIT. 1 rear toe link and its weight to be homologated in VR4-KIT. The minimum weight of each complete assembly (with bearings) is 3.000 g. Maximum price of front / rear wishbone: see Appendix 2.
701-e1	<p>Berceau avant</p> <p>Un seul berceau avant peut-être homologué en VR4-KIT dans les conditions suivantes : La position relative des points d'ancrage des éléments suivants doit être figée et déposée à la FIA (plan):</p> <ul style="list-style-type: none"> triangles de suspension, crémaillère de direction support moteur sur berceau ancrages du berceau sur le châssis <ul style="list-style-type: none"> La pièce doit être détachable (non soudée). La pièce de fixation sur la carrosserie (c'est-à-dire écrou) peut être remplacée. <p>55. Le diamètre du filetage de la pièce de fixation sur la carrosserie ne peut être qu'augmenté.</p> <ul style="list-style-type: none"> Le poids minimum est de 12 kg. Le berceau doit être une seule pièce incluant tous les points de fixation. <p>Prix maximum du berceau avant (avec points de fixation du triangle) : voir Annexe 2.</p>	<p>Front subframe</p> <p>Only one front subframe may be homologated in VR4-KIT under the following conditions: The relative position of the fixation points of the following elements must be frozen and deposited with the FIA (plan) :</p> <ul style="list-style-type: none"> suspension wishbones steering rack engine support on subframe mounting of the subframe on the bodyshell The part must be detachable (not welded). The fixing component on the bodyshell (i.e. nut) may be replaced. <p>56. 57. The thread diameter of the fixing component on the bodyshell may be increased only.</p> <ul style="list-style-type: none"> The minimum weight is 12 kg. The subframe must be one part including all the fixation points. <p>58. 59.</p> <p>Maximum price of front subframe (with wishbone fixing points): see Appendix 2.</p>
701-e1	<p>Berceau arrière</p> <p>Un seul berceau arrière peut-être homologué en VR4-KIT dans les conditions suivantes : La position relative des points d'ancrage des éléments suivants doit être figée et déposée à la FIA (plan):</p> <ul style="list-style-type: none"> triangles de suspension, biellette de pince support différentiel arrière sur berceau ancrages du berceau sur le châssis <p>La suspension arrière de la voiture doit être uniquement de type Mac Pherson. La modification des longerons est possible dans le seul but de permettre le débattement des triangles de suspension, biellettes de pince et arbres de transmission. Les points d'ancrage sont limités à six maximum et ces points doivent être situés dans la zone autorisée par le Dessin 2 : 400 x 200 mm par rapport à l'axe des roues arrière de la voiture de série.</p>	<p>Rear subframe</p> <p>Only one rear subframe may be homologated in VR4-KIT under the following conditions: The relative position of the fixation points of the following elements must be frozen and deposited with the FIA (plan) :</p> <ul style="list-style-type: none"> suspension wishbones toe link rear differential support on subframe mounting of the subframe on the bodyshell <p>The type of rear suspension of the car must be McPherson only.</p> <p>It is possible to modify the side members for the sole purpose of allowing the travel of the suspension wishbones, toe-links and drive shaft.</p> <p>There must be a maximum of six mounting points, and these points must be situated in the area authorised by Drawing 2: 400 x 200 mm in relation to the centreline of the rear wheels of the standard</p>

	<ul style="list-style-type: none"> Le berceau arrière doit être démontable. Trois points maximum de fixation inférieures de la suspension sont autorisés de chaque côté sur ce berceau, mais ces points doivent se trouver sous l'axe de sortie du pont. <p>60. En outre un point supérieur de fixation de la suspension à la coque est autorisé, mais il devra être en toutes circonstances au-dessus du haut de la jante de la roue.</p> <p>61. Pour une roue donnée, ces quatre points de fixation doivent être situés du même côté que la roue par rapport à l'axe longitudinal de la voiture.</p> <p>62. Voir le Dessin 2 pour les modifications possibles de la coque (aucune ouverture n'est autorisée dans la zone définie par le Dessin 2).</p> <ul style="list-style-type: none"> Tous les points d'ancrages supplémentaires sur la coque doivent être renforcés pour qu'ils puissent résister en toutes circonstances aux charges induites par les modifications de suspension, indépendamment de l'armature de sécurité. Le poids minimum est de 12 kg. Le berceau doit être une seule pièce incluant tous les points de fixation. <p>Prix maximum du berceau arrière (avec points de fixation du triangle) : voir Annexe 2.</p>	<p>car.</p> <ul style="list-style-type: none"> The rear subframe must be removable. A maximum of three lower mounting points for the suspension are authorised on each side of this subframe, but these points must be situated below the centreline of the final drive outlet. <p>63. An upper mounting point attaching the suspension to the shell is also authorised, but under all circumstances it must be situated above the top of the wheel rim.</p> <p>64. For a given wheel, these four mounting points must be situated on the same side as the wheel in relation to the longitudinal axis of the car.</p> <p>65. See Drawing 2 for the possible modifications of the shell (no opening is authorised in the zone defined by Drawing 2).</p> <p>66.</p> <ul style="list-style-type: none"> All the additional mounting points on the shell must be reinforced so that, under all circumstances, they can withstand the loads caused by the modifications to the suspension, independently of the safety cage. The minimum weight is 12 kg. The subframe must be one part including all the fixation points. <p>Maximum price of rear subframe (with wishbone fixing points): see Appendix 2.</p>
8.	TRAIN ROULANT	RUNNING GEAR
803-v1	<p>Etriers avant et arrière</p> <p>Il est possible d'homologuer un seul étrier (pour avant et arrière) aux conditions suivantes :</p> <ul style="list-style-type: none"> Les étriers doivent provenir d'un catalogue de grande production ou d'un catalogue de pièces de compétition. 4 pistons maximum. Prix maximum de l'étrier complet (incluant les scellés de pistons) : voir Annexe 2. 	<p>Front and rear callipers</p> <p>It is possible to homologate only one calliper (for both front and rear) in the following conditions :</p> <ul style="list-style-type: none"> The callipers must come from a large scale production catalogue or from a competition parts catalogue. 4 pistons maximum. Maximum price of the complete calliper (including pistons' seals): see Appendix 2.
803-v1	<p>Entretoise de montage pour étrier de frein.</p> <p>Les entretoises de montage pour étrier de frein doivent être homologuées en VR4-KIT</p>	<p>Brake calliper mounting spacer</p> <p>Brake calliper mounting spacers must be homologated in VR4-Kit</p>
803-v1 803-w1	<p>Disques avant et arrière</p> <p>Il est possible d'homologuer des disques avec leur cloche en VR4-KIT aux conditions suivantes :</p> <ul style="list-style-type: none"> Les disques doivent provenir d'un catalogue de grande production ou d'un catalogue de pièces de compétition. Diamètre maximum 355 mm, épaisseur minimum 32 mm (rallye asphalte) et diamètre maximum 300 mm, épaisseur minimum 30mm (rallye terre). Prix maximum du disque de frein + cloche : voir Annexe 2. 	<p>Front and rear Discs</p> <p>It is possible to homologate discs with their bell in VR4-KIT in the following conditions :</p> <ul style="list-style-type: none"> The discs must come from a large scale production catalogue or from a competition parts catalogue. Maximum diameter 355 mm, minimum thickness 32 mm (Asphalt Rally) and maximum diameter 300 mm, minimum thickness 30mm (Gravel Rally). Maximum price of the brake disc + bell: see Appendix 2.
804	SYSTEME DE DIRECTION	STEERING SYSTEM
804-a1	<p>Mécanisme de direction (carter et crémaillère)</p> <p>Il sera possible de modifier la carrosserie pour le passage de la colonne de direction.</p> <p>Cette modification n'est autorisée que si elle n'est pas en contradiction avec d'autres points du présent règlement.</p> <p>La crémaillère doit être homologuée en VR4-KIT avec des rapports libres et constants aux conditions suivantes :</p> <ul style="list-style-type: none"> Le poids doit être au minimum de 5 kg. <p>67. Ceci doit inclure : barre de crémaillère, boîtier de direction assistée, valve et son carter, les fixations du carter de valve de direction, les canalisations haute pression entre la valve de direction et la pompe de direction assistée, mais pas les biellettes de direction.</p> <ul style="list-style-type: none"> Le barre de crémaillère doit être : <ul style="list-style-type: none"> - plein : aucun barre de crémaillère creux, diamètre minimum de 28 mm. <p>68. Un trou fileté (maximum M16 mm) d'une profondeur maximale de 40mm est autorisé à chaque extrémité du barre de crémaillère</p> <p>69. Le matériau du barre de crémaillère doit être similaire</p>	<p>Steering mechanism (housing and rack)</p> <p>It will be possible to modify the the bodywork to allow the passage of the steering column.</p> <p>This modification is authorised only if it is not in contradiction with other points of the present regulations.</p> <p>The steering rack must be homologated in VR4-KIT with free and constant ratio under the following conditions :</p> <ul style="list-style-type: none"> The weight must be minimum 5 kg. <p>73. This must include: Rack bar, power steering casing, valve and valve housing, fittings on the valve housing, high pressure fluid lines between the valve housing and power steering casing, but not the steering rods.</p> <p>74.</p> <ul style="list-style-type: none"> The rack bar must be either : <ul style="list-style-type: none"> - solid: no hollow rack bars, minimum diameter of 28 mm. <p>75.</p> <p>76. A threaded bore (maximum M16 mm) of a maximum depth of 40 mm is permitted at both ends of the rack bar.</p> <p>77.</p> <p>78. The rack bar material must be similar as the ones used in</p>

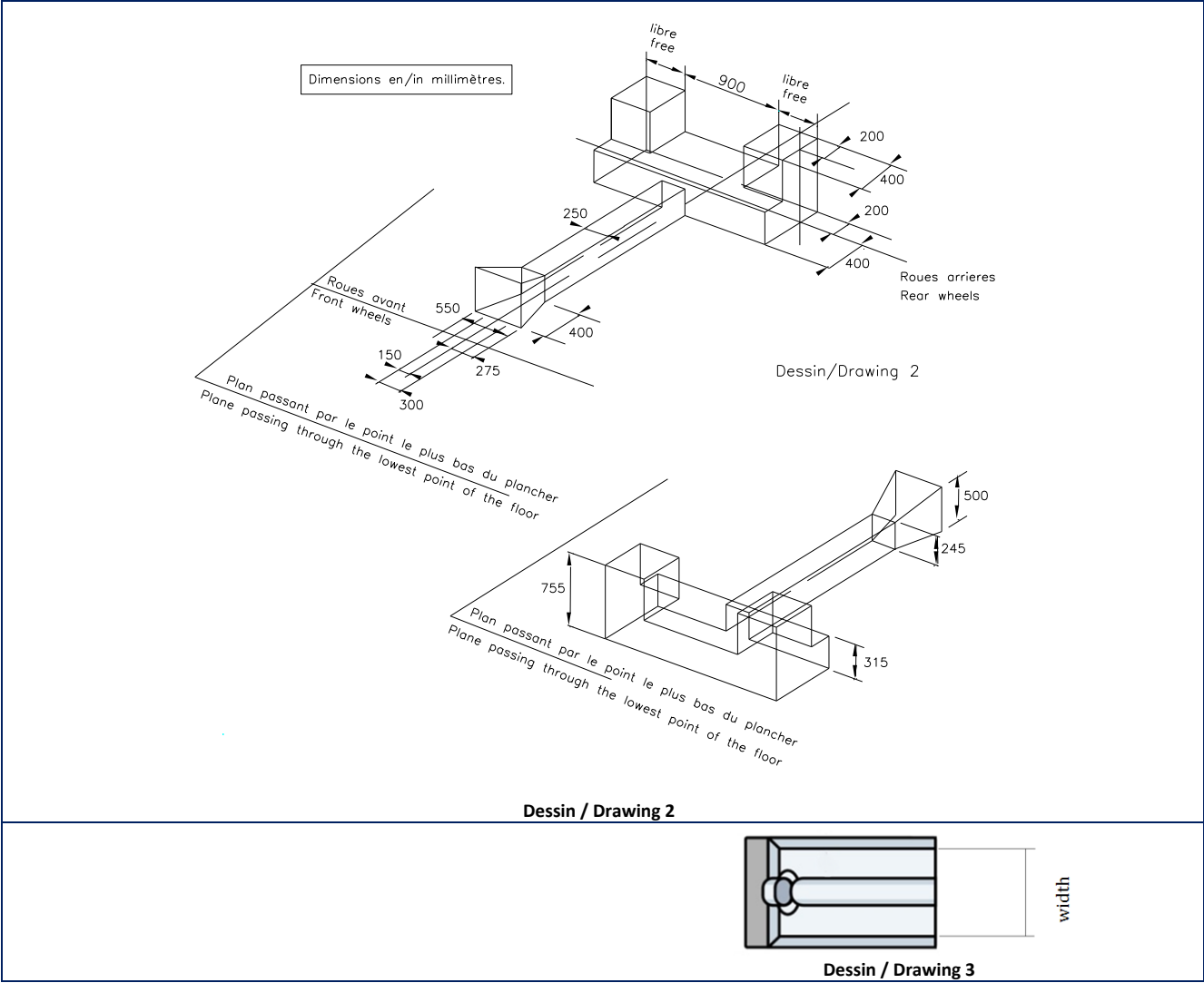
	<p>à ceux utilisés pour la production de série, (Rp0.2 < 1000 N/mm²) tel que : Cm35 ou C45 ou 16NiCrMo12.</p> <ul style="list-style-type: none"> - ou provenir d'un modèle d'automobile d'un constructeur produit à plus de 2500 exemplaires. <p>70. Dans ce cas, il est autorisé de réduire la longueur, de recréer un filetage pour la fixation de l'extrémité de la biellette de direction à l'endroit où le barreau est coupé, et de modifier localement le diamètre extérieur du barreau uniquement pour monter le piston.</p> <ul style="list-style-type: none"> • Le boîtier de crémaillère doit: <ul style="list-style-type: none"> - être une fonderie d'Al utilisant des matériaux de carter de voiture de série (Rm < 350N/mm²) tel que : 3.2384.6 ou AlSi12Cu1 ou AlSi9Cu3 ou AlSi10Mg(Cu) ou AlSi9. <p>71. L'épaisseur minimum du boîtier de crémaillère est de 5 mm.</p> <p>72. L'épaisseur peut être réduite très localement afin d'éviter les proximités.</p> <ul style="list-style-type: none"> - ou provenir d'un modèle d'automobile d'un constructeur produit à plus de 2500 exemplaires. <p>Les seules modifications autorisées sont :</p> <ul style="list-style-type: none"> • Modification ou ajout de supports de barreau de crémaillère aux extrémités du carter. • Modification pour la fixation du carter sur le berceau. • Sa position peut être modifiée par rapport à la voiture de série. • Prix maximum de la crémaillère de direction complète : voir Annexe 2. 	<p>standard production, (Rp0.2 < 1000 N/mm²) such as :Cm35 or C45 or 16NiCrMo12.</p> <ul style="list-style-type: none"> - or come from a model of automobile of a manufacturer produced in a quantity of more than 2500 units. <p>79. In this case, it is permitted to reduce the bar length, to recreate a thread for the steering rod end fixing where the bar is cut and to modify locally the rack bar outer diameter only in order to fit the piston.</p> <ul style="list-style-type: none"> • The rack casing must: <ul style="list-style-type: none"> - either be an Al casting using standard cars casing materials (Rm < 350N/mm²) such as: 3.2384.6 or AlSi12Cu1 or AlSi9Cu3 or AlSi10Mg(Cu) or AlSi9. <p>80. Minimum thickness of rack casing is 5 mm.</p> <p>81. Thickness may be reduced very locally in order to avoid proximity.</p> <ul style="list-style-type: none"> - or come from a model of automobile of a manufacturer produced in a quantity of more than 2500 units. <p>The only modifications permitted are :</p> <ul style="list-style-type: none"> • Modification or addition of rack bar supports on both ends of the casing. • Modification for fixing the casing to the subframe. • Its position may be modified relative to the series car. • Maximum price of the complete steering rack: see Appendix 2. <p>82.</p>
804-a2	<p>Assistance de direction - Pompe</p> <p>Seules les pompes de direction assistée hydrauliques sont autorisées (conception libre) Système d'assistance de direction par moteur électrique : interdit</p> <p>La pompe de direction et son support doivent être homologuée en VR4-KIT. Elle doit provenir d'un modèle d'automobile d'un constructeur produit à plus de 2500 exemplaires. La pompe de direction peut être modifiée pour obtenir un débit et une pression plus élevés.</p> <ul style="list-style-type: none"> • Prix maximum du système d'assistance de direction (pompe de direction assistée) : voir Annexe 2. <p><u>Poulie pour pompe de direction assistée</u> : conception libre / elle doit être homologué en VR4-KIT.</p>	<p>Power steering - Pump</p> <p>Only hydraulic power assisted steering pumps are allowed (free design). Electric motor power-steering system : forbidden</p> <p>The steering pump and its support must be homologated in VR4-KIT. It must be coming from a model of automobile of a manufacturer produced in a quantity of more than 2500 units. The steering pump may be modified to reach higher flow and pressure.</p> <ul style="list-style-type: none"> • Maximum price of the power steering system (power steering pump): see Appendix 2. <p><u>Pulley for steering pump</u> : free design / it must be homologated in VR4-KIT.</p>
804-a4	<p>Biellettes de direction</p> <p>1 biellette de direction et son poids, incluant la rotule de crémaillère et les pièces de liaison peuvent être homologués en VR4-KIT.</p> <ul style="list-style-type: none"> • Ils doivent être constitués d'alliage à base de fer. • Prix maximum des biellettes de direction : voir Annexe 2. 	<p>Steering rods</p> <p>1 steering rod and its weight, incl. steering joint and the connecting parts to be homologated in VR4-KIT. They must be made from iron-based alloy. Maximum price of the steering rods: see Appendix 2.</p>
9.	CARROSSERIE - COQUE	BODYWORK - BODYSHELL
900-f	<p>Chassis / modifications</p> <p>Les modifications (conception et montage) du chassis / coque concernant les points suivants doivent impérativement être approuvées et validées par le constructeur du kit R4 :</p> <ul style="list-style-type: none"> - Ancrages du berceau avant - Ancrages du berceau arrière - Passages de roues avant - Position des chapelles d'amortisseur avant - Passages de roues arrière - Position des chapelles d'amortisseur arrière - Tunnel de transmission - Modifications cloison moteur / habitacle - Modificationn traverses et longerons - Installation du réservoir de carburant <p><u>Dossier de modification de coque</u> : Un dossier comportant toutes les modifications mentionnées ci-dessus doit être fourni par le concepteur / constructeur de la coque</p>	<p>Bodyshell / modifications</p> <p>The modifications of the chassis / bodyshell (design and fitting) concerning the following items must be must imperatively be approved and certified by the R4 kit manufacturer :</p> <ul style="list-style-type: none"> - Front subframe fixings - Rear subframe fixings - Front wheel arches - Position of the front suspension turret - Rear wheel arches - Position of the rear suspension turret - Transmission tunnel - Modifications for bulkhead separating the engine from the cockpit - Modifications for cross rails and side members - Fuel tank installation <p><u>Dossier for bodyshell modification</u> : A dossier containing all the above mentioned modifications must be provided by the designer / builder of the bodyshell and approved by</p>

	<p>et approuvé par le fournisseur du kit-R4. Pour chaque modification de la coque, il est obligatoire de mentionner :</p> <ul style="list-style-type: none"> - Photo avant modification de la coque - Photo après modification de la coque - Indiquer le type et l'épaisseur du matériau utilisé - Dimensions de chaque modification de la coque et conformité par rapport au présent règlement <p>Ce dossier doit être inséré dans la fiche d'homologation variante kit-R4 ASN.</p>	<p>the R4 - kit supplier. For each modification of the bodyshell, it is compulsory to specify :</p> <ul style="list-style-type: none"> - Photo before modification of the bodyshell - Photo after modification of the bodyshell - Specify the type and thickness of the material used - Dimensions for each bodyshell modification and compliance with this regulations <p>This dossier must be included into the homologation form for kit-variant kit-R4 ASN.</p>
	Chapelle d'amortisseur	Shock absorber turret
	<p>Dans le cadre de la liberté du passage de roue, il est possible de recréer une chapelle d'amortisseur pour permettre l'ancrage des suspensions.</p> <p>La nouvelle chapelle devra avoir un diamètre maximum au sommet de 170 mm.</p> <p>Position des chapelles d'amortisseur avant : voir Annexe 1. Position des chapelles d'amortisseur arrière : doivent être incluses dans le volume libre indiqué sur le dessin n°2.</p>	<p>Within the context of freedom for the wheel arch, it is possible to recreate a shock absorber turret to allow the mounting of the suspensions.</p> <p>The new turret must be of a maximum diameter at the top of 170 mm.</p> <p>Position of the front suspension turrets : voir annexe 1. Position of the rear suspension turret : must be included into the free volume given on drawing n°2.</p>
901-access7	SUPPRESSION DU COMPRESSEUR DE CLIMATISATION	REMOVAL OF THE AIR CONDITIONING COMPRESSOR
	<p>Dans le cas où le moteur de série est équipé d'un compresseur de climatisation, il sera possible d'homologuer en VR4-kit la modification nécessaire à la suppression du compresseur de climatisation.</p>	<p>If the standard engine is fitted with an air conditioning compressor, it will be possible to homologate the modification that is necessary for removing the air conditioning compressor in VR4-kit.</p>

ANNEXE 1 / APPENDIX 1 DESSINS / DRAWINGS



Dessin / Drawing n°1



Référenciel voiture de série :

Chaque fiche VR4-KIT doit comporter les cotes L1, L2 et H, qui positionnent les points de référence (REF) de la voiture de série par rapport au centre roue avant, au centre roue arrière et au point le plus bas du plancher de la voiture de série. (dessin 4).

Ce point de référence (REF) de la voiture de série doit être identifiable et contrôlable sur une voiture de série (trou ou embouti), une photo indiquant la position sera présente dans la fiche VR4-KIT.

Le point de référence (REF) doit être situé sur le pied B, pour permettre un contrôle facile aux vérifications techniques.

Ainsi son défini les origines des axes X et Z du repère, l'axe Y ayant son origine à l'axe symétrie du véhicule.

Pour chaque type de voiture, les points de référence et positionnement doivent être approuvés et validés par le constructeur du kit R4.

Series car frame of reference :

Each VR4-KIT form must have the notations L1, L2 and H, which position the points of reference (REF) of the series car in relation to the centre of the front wheel, to the centre of the rear wheel and to the lowest point of the floor of the series car (Drawing 4.)

This point of reference (REF) of the series car must be identifiable and capable of being controlled on a series car (hole or stamp), a photo indicating the position will appear on the VR4-KIT form.

The point of reference (REF) must be located on the B-pillar, in order to allow easy control during scrutineering.

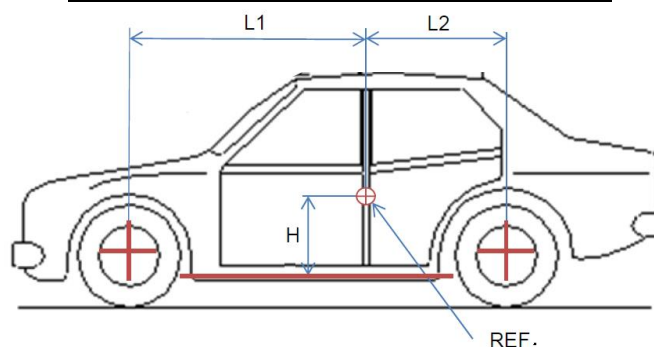
This is how the origins of the axes X and Z of the benchmark are defined, axis Y having its origins in the axis symmetry of the vehicle.

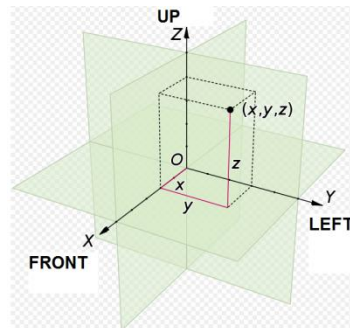
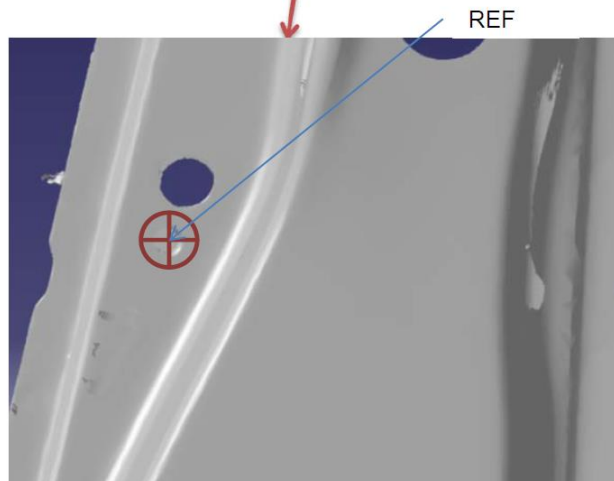
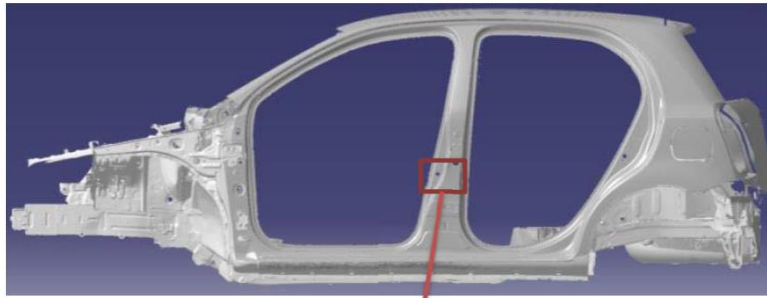
For each type of car, these points of reference and positionings must be approved and certified by the R4 kit manufacturer.

Dessin / Drawing n°4

Les dimensions L1 / L2 / H et la position du point de référence doivent être précisés dans la fiche d'homologation variante kit-R4 ASN.
Dimensions L1 / L2 / H and the position of the reference point must be specified into the homologation form for kit-variant kit-R4 ASN.

Empattement / L1 / L2 : tolérance - fiche d'homologation = +/-1%
Wheelbase / L1 / L2 : tolerance - homologation form = +/-1%





Positionnement dans le vehicule du kit VR4-KIT :

L'ensemble des éléments du Kit-R4 associés à l'essieu avant et à l'essieu arrière doivent être dans le véhicule conformément au dessin n°5 en vue de coté et au dessin n°6 en vue de dessus.

Les éléments liés en position à l'essieu avant sont :

- Berceau avant
- Chapelle d'amortisseur avant
- Demi train complet avec porte moyeu, triangle, biellette de direction, étrier et disque de freins, etc..
- Crémaillère de direction
- Moteur
- Boite de vitesse
- Arbres de transmission transversaux avant
- Segment avant de l'arbre longitudinal jusqu'au palier intermédiaire inclus.

Les éléments liés en position à l'essieu arrière sont :

- Berceau arrière
- Chapelle d'amortisseur arrière
- Demi-train complet avec porte moyeu, triangle, biellette de pince, étrier et disque de frein, etc..

Positioning of the VR4-KIT KIT in the vehicle :

All the elements of the R4-Kit associated with the front axle and to the rear axle must be positioned in the vehicle in conformity with Drawing n°5, as seen from the side, and Drawing n°6, as seen from above.

The elements linked in position with the front axle are :

- Front subframe
- Front shock absorber turret
- Complete semi-train with hub carrier, triangle, steering tierod, calliper and brake discs, etc.
- Steering rack
- Engine
- Gearbox
- Front transversal drive shafts
- Front segment of the longitudinal driveshaft up to and including the intermediate bearing.

The elements linked in position with the rear axle are:

- Rear subframe
- Rear shock absorber turret
- Complete semi-train with hub carrier, triangle, steering

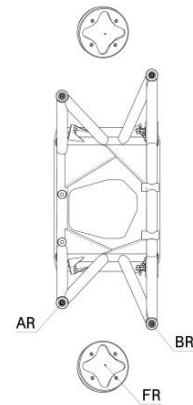
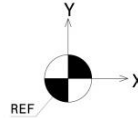
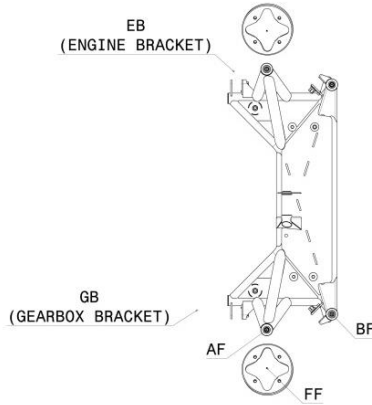
- Arbres de transmission transversaux arrière
 - Différentiel arrière avec système de débrayage.
 - Réservoir de carburant complet avec protection et composants internes.
- Voir dessins n°7 et n°8.

- rack, calliper and brake disc, etc.
- Rear transversal drive shafts
 - Rear differential with declutching system
 - Complete fuel tank with protection and internal components.
- See Drawings n°7 and n°8.

Dessin / Drawing n°5 :

Les coordonnées des points indiqués dans le tableau ci-dessous doivent être précisés dans la fiche d'homologation variante kit-R4 ASN.
The coordinates of the points specified in the table below must be specified into the homologation form for kit-variant kit-R4 ASN.

Tolérance - fiche d'homologation / tolerance – homologation form : +/-3mm

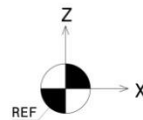
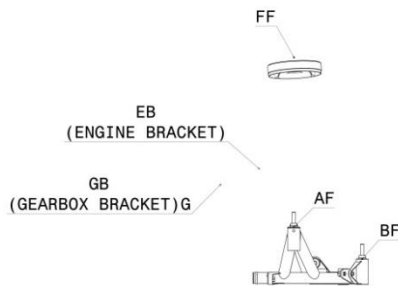


	X	Y	Z
AF	L1+XAF	YAF	ZAF - H
BF	L1+XBF	YBF	ZBF - H
FF	L1+XFF	YFF	ZFF - H
EB	L1+XEB	YEB	ZEB - H
GB	L1+XGB	YGB	ZGB - H
AR	L2+XAR	YAR	ZAR - H
BR	L2+XBR	YBR	ZBR - H
FR	L2+XFR	YFR	ZFR - H

Dessin / Drawing n°6 Tolerance à appliquer : +/-3mm

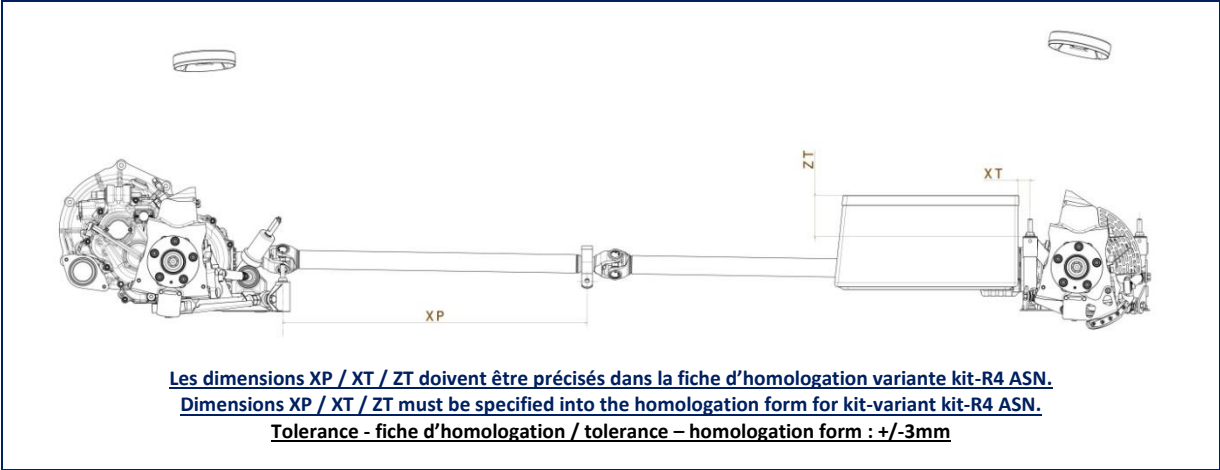
Les coordonnées des points indiqués dans le tableau ci-dessous doivent être précisés dans la fiche d'homologation variante kit-R4 ASN.
The coordinates of the points specified in the table below must be specified into the homologation form for kit-variant kit-R4 ASN.

Tolérance - fiche d'homologation / tolerance – homologation form : +/-3mm

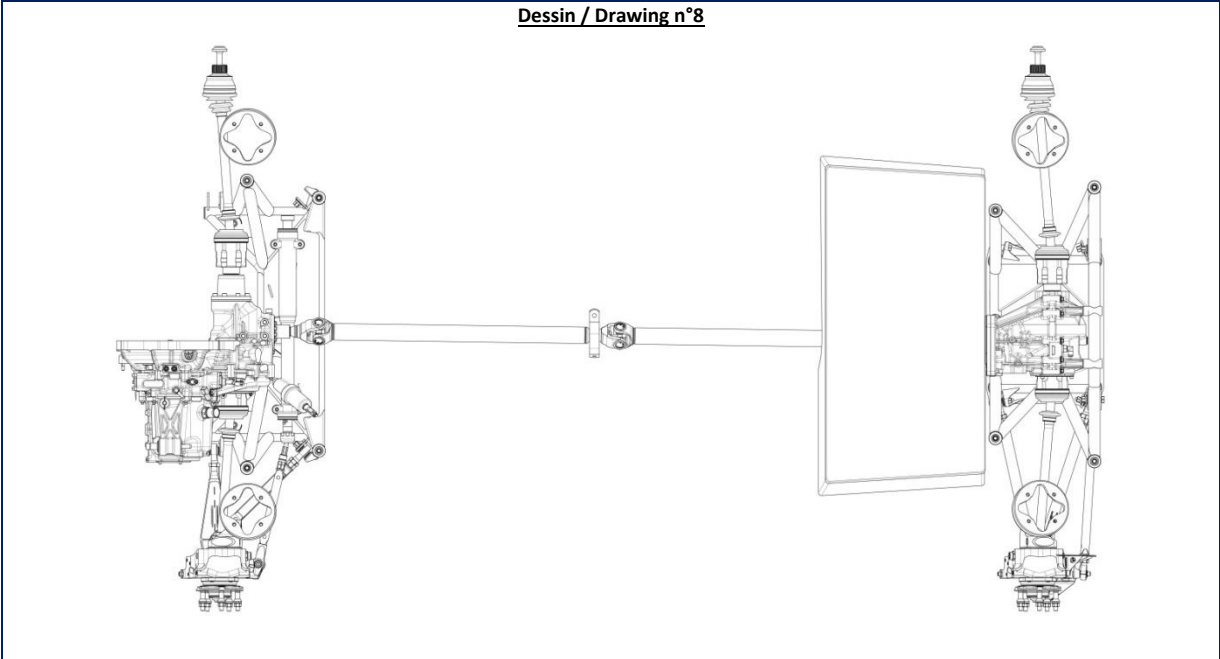


	X	Y	Z
AF	L1+XAF	YAF	ZAF - H
BF	L1+XBF	YBF	ZBF - H
FF	L1+XFF	YFF	ZFF - H
EB	L1+XEB	YEB	ZEB - H
GB	L1+XGB	YGB	ZGB - H
AR	L2+XAR	YAR	ZAR - H
BR	L2+XBR	YBR	ZBR - H
FR	L2+XFR	YFR	ZFR - H

Dessin / Drawing n°7 :



Dessin / Drawing n°8



ANNEXE 2 / APPENDIX 2 PRIX / PRICES

		Prix Maximum de Vente au Public* (HT/Euros) Maximum Price for Sale to the Public* (ex. tax/Euros)
Chapter 3	<p><u>Moteur complet prêt à monter dans la voiture</u> <u>Moteur complet</u> = moteur assemblé avec collecteur admission, collecteur échappement, turbocompresseur (avec bride / waste-gate / électrovanne de waste-gate), volant moteur, pompe à eau et tous les capteurs / actionneurs fixés sur le moteur et collecteurs. <u>Non compris</u> : ECU / démarreur / faisceau moteur / supports moteur / radiateur de refroidissement / échangeur / alternateur / pop-off valve FIA</p> <p><u>Complete engine ready to be fitted into the car</u> <u>Complete engine</u> = assembled engine with intake manifold, exhaust manifold, turbocharger (with restrictor / waste-gate / waste-gate actuators), flywheel, water pump and all sensors / actuators fitted on the engine and manifolds. <u>Not included</u> : ECU / starter motor / engine loom / engine supports / cooling radiator / intercooler / alternator / FIA pop-off valve</p>	15'000 (TBC)
Article 304-2	Turbocompresseur complet Complete turbocharger	1'000
Article 317-1	Piston complet (avec axe, jonc et segments) Complete piston (with pin, spring-ring and rings)	400
Article 318-1	Bielle Connecting rod	450
Article 319-1	Vilebrequin Crankshaft	2'500
Article 320-1	Volant Moteur Engine flywheel	580
Article 321-0	Culasse Cylinderhead	1'450
Article 324-a2	Tous les composants électroniques homologués conformément aux Art. 324-a2 et 324-a3 + faisceau moteur complet (voir article 324-a3) All homologated electronic components as in Art. 324-a2 and 324-a3 + complete engine loom (see article 324-a3)	14'000
Article 325-2	Arbre à cames Camshaft	750
Article 327-a1	Collecteur d'admission Intake manifold	1'200
Article 327-d1	Soupapes d'admission Intake valve	35
Article 327-d10	Boîtier papillon Throttle valve housing	200
Article 328-d1	Soupape échappement Exhaust valve	55
Article 328-p1	Collecteur échappement Exhaust manifold	1'400
Article 331-01	Pompe à eau Water pump	350
Article 333-b1	Carter d'huile Oil sump	500
Article 401-a1	Réservoir de carburant Fuel tank	1'650
Article 401-a1	Réservoir de carburant complet avec protection, pompe, ravitaillement rapide, fixation ... Complete Fuel tank with protection, pump, quick refuelling, fixation...	4'000
Article 502-alt1	Alternateur Alternator	500
Article 502-alt1	Démarreur Starter motor	500
Article 602-b1	Mécanisme d'embrayage complet + kit disques Complete clutch mechanism + discs kit	1'000
Article 602-b1	Disque Embrayage (seul) Clutch disc (alone)	175
Article 603-b1	Boîte de Vitesse Complète+ différentiel avant + différentiel arrière + système de déverrouillage avant / arrière. La quantité minimale de commande est de 20 systèmes de transmission	28'500

	complets. Complete gearbox + front differential + rear differential + front/rear unlocking system. The minimum order quantity is 20 complete transmission systems.	
+Article 606-c1	1 arbre transversal avant complet avec palier central 1 complete front Transversal driveshaft with centre bearing	900
Article 606-c1	1 arbre transversal arrière complet 1 complete rear Transversal driveshaft	900
Article 606-c1	Arbre de transmission longitudinal Longitudinal driveshaft	1'850
Article 707-b1	Moyeu avec goujons (avant / arrière) Hub with studs (front / rear)	300
Article 707-c1	Porte-moyeux (sans moyeux et supports) Hubcarrier (without hub and brackets)	1'000
Article 707-c1	4 kits complets : <ul style="list-style-type: none"> • un point d'ancrage de triangle inférieur • un point d'ancrage de direction • le point d'ancrage de biellette de parallélisme arrière • la fixation de l'étrier 4 complete kit of : <ul style="list-style-type: none"> • a lower wishbone pick up point • a steering pick up point • the rear toe link pick up point • the fixation of the calliper 	3'000
Article 707-d1	Triangle avant et arrière (sans articulations) Front/rear wishbone (without bearing)	650
Article 707-d1	4 triangles avant et arrière complets avec pivots et roulements 4 Complete front and rear wishbone with pivots and bearings	4'000
Article 707-d1	1 triangle avant complet avec pivot et roulement 1 Complete front wishbone with pivot and bearing	1'000
Article 707-d1	1 triangle arrière complet avec pivot et roulement 1 Complete rear wishbone with pivot and bearing	1'000
Article 701-e1	Berceau avant (avec points de fixation du triangle) Front subframe (with wishbone fixing points)	2'500
Article 701-e1	Berceau arrière (avec points de fixation du triangle) Rear subframe (with wishbone fixing points)	2'500
Article 803-v1	1 étriers complet (avant ou arrière) (incluant les joints de pistons) 1 complete brake calliper (Front or rear) (including pistons' seal)	800
Article 803-v1	Disques de frein avant avec bol Front brake discs with bell	Diameter 355mm= 500 Diameter 300mm= 450
Article 803-w1	Disques de frein arrière avec bol Rear brake discs with bell	Diameter 355mm= 500 Diameter 300mm= 450
Article 804-a1	Crémaillère de direction Steering rack	3'000
Article 804-a2	Système de direction assistée (pompe de direction assistée) Power steering system (power steering pump)	600
Article 804-a4	1 Biellette de direction complète – droite 1 complete steering rod - right	400
Article 804-a4	1 Biellette de direction complète – left 1 complete steering rod - left	400
Article 901-a	1 Chapelle d'amortisseur avant prête à souder sur la coque 1 front shock absorber turrett ready to be welded on the bodyshell	350
Article 901-a	1 Chapelle d'amortisseur arrière prête à souder sur la coque 1 rear shock absorber turrett ready to be welded on the bodyshell	350

Modifications autorisées de la liste de prix	Allowed modifications to the price list
<p>Partant de la liste de prix ci-dessus, chaque constructeur est autorisé à choisir un maximum de 5 items dont le total des prix (Somme du prix des items choisis) est inférieur à 10'000 euros.</p> <p>Le constructeur pourra modifier les prix des items choisis à condition que la somme des prix de ces items reste identique ou inférieure à la somme initiale des prix de ces items.</p> <p>La nouvelle liste de prix incluant ces modifications sera homologuée pour chaque constructeur.</p>	<p>Starting from the price list above, each manufacturer is authorised to choose a maximum of 5 items which total price (Sum of the price of the chosen items) is below 10'000 euros.</p> <p>The manufacturer will be able to change the prices of the chosen items as long as the sum of the prices of these items remains equal or lower than the initial sum of the prices of these items.</p> <p>The new price list including these modifications will be homologated for each manufacturer.</p>

ANNEXE 3 / APPENDIX 3
Transmission (Boîte de vitesses + Différentiel arrière)
Transmission (Gearbox + Rear differential)

2.	SPECIFICATIONS	SPECIFICATIONS
2.1	Système de changement de vitesses	Gearshift system
	<p>Seuls les systèmes manuels, séquentiels sont autorisés. Le changement de vitesse doit être activé par le pilote uniquement – aucune forme d'assistance extérieure n'est autorisée.</p> <p>La configuration des barillets/fourchettes/crabots doit fonctionner séquentiellement de sorte que la vitesse sélectionnée soit extraite avant que la vitesse cible ne soit insérée.</p> <p>Tout système permettant que plus d'un engrenage soit couplé à la transmission à tout moment est interdit.</p> <p>Tout mécanisme de sélection ne reposant pas sur des solutions simple barillet/crabot "conventionnelles" doit être approuvé par la Commission Réglementation Homologation.</p> <p>Seul l'engagement par crabot est autorisé, les mécanismes de synchronisation ou d'embrayage secondaire ne sont pas autorisés.</p> <p>Le nombre minimum de crabots est de 5 / l'angle minimum est de 2° (aucun angle négatif n'est autorisé).</p>	<p>Only manual, sequential systems are allowed. The shift must be activated by the driver only – no form of external "assistance" is allowed.</p> <p>The arrangement of the barrel/forks/dog-rings must operate sequentially such that the current gear selected is extracted before the target gear is inserted.</p> <p>Any system that permits more than one gear pair to be coupled to the drive train at any one time is prohibited.</p> <p>Any selection mechanism not based on "conventional" single barrel/dog-ring solutions must be approved by the Homologation Regulations Commission.</p> <p>Only dog engagement is allowed, no synchronising or secondary clutch mechanisms are permitted.</p> <p>Minimum number of dogs is 5 / minimum angle is 2° (no negative angle allowed).</p>
2.2	Système 4WD	4WD System
	<p>Il n'y aura pas de différentiel central. Les couples finaux avant et arrière doivent avoir le même rapport et être connectés en permanence, sans rampes, jeu, etc.</p> <p>Le dispositif de découplage du couple arrière ne doit pas être incorporé dans la boîte de vitesses et doit être situé derrière le milieu de l'empattement.</p> <p>Il doit s'agir d'un dispositif de type embrayage.</p> <p>Son mécanisme de déclenchement doit être commandé manuellement par le pilote.</p> <p>Le découplage du couple final arrière doit être commandé manuellement par le pilote au moyen d'un système hydraulique commandé par un maître-cylindre qui déconnecte la transmission avant et arrière commandée directement par le frein à main et le pilote.</p> <p>Il doit être symétrique dans l'accélération et la décélération.</p> <p>L'interrupteur pour la pompe doit fonctionner indépendamment de l'ECU du véhicule et ne peut pas recevoir de signal d'entrée électrique.</p> <p>Le système doit être approuvé par la Commission Réglementation Homologation.</p>	<p>There will be no central differential. The front and rear final drives must be the same ratio and permanently connected, without ramps, play etc...</p> <p>The rear drive disconnect device must not be incorporated into the gearbox and must be situated behind the middle of the wheelbase.</p> <p>This must be a clutch type device.</p> <p>Its release mechanism must be manually controlled by the driver.</p> <p>The actuation of the rear drive disconnect must be manually controlled by the driver by use hydraulic system driven by a master cylinder which disconnects the front and rear transmission directly controlled by the handbrake and the driver.</p> <p>It must be symmetrical in acceleration and deceleration.</p> <p>The switch for the pump must operate independently of the vehicle's ECU and is not allowed to take an electrical input signal.</p> <p>The system must be approved by the Homologation Regulations Commission.</p>
2.3	Volant moteur / Embrayage	Flywheel / Clutch
	L'embrayage moteur doit être monté sur le volant moteur.	Engine clutch to be mounted on the engine flywheel.
3.	SPECIFICATIONS TECHNIQUES	TECHNICAL SPECIFICATIONS
A.	<p>Poids</p> <ul style="list-style-type: none"> • Le poids de la boîte de vitesses et du différentiel arrière combinés doit être de 90 kg minimum. • Le poids de la boîte de vitesses doit être de 55 kg minimum. • Le poids du différentiel arrière et du dispositif de découplage doit être de 30 kg minimum. • Le poids minimum de l'arbre de transmission complet (sans palier central) est de 8.5 kg. 	<p>Weight</p> <ul style="list-style-type: none"> • The weight of the gearbox and rear differential combined must be 90kg minimum. • The weight of the gearbox must be 55kg minimum. • The weight of the rear differential and disconnect device must be 30kg minimum. • The minimum weight of the complete propshaft (without centre bearing) is 8.5 kg.

	<p>Le poids de la transmission ne comprend pas :</p> <ul style="list-style-type: none"> • La commande de boîte externe à la boîte de vitesses. • Toute partie de l'assemblage de l'arbre de transmission (joint intérieur). • Piste extérieure du joint intérieur. • Le dispositif d'activation du découplage arrière. • Les conduites d'huile ou d'air, fils ou câbles après le premier joint externe. • Toutes fixations pour (ou) composants ne faisant pas partie de la fonction de transmission. 	<p>The weight of the transmission does not include :</p> <ul style="list-style-type: none"> • The gear linkage external to the gearbox. • Any part of the driveshaft assembly (in board joint). 83. • In board joint outer track. • Rear disconnect actuation device. • Any oil or air lines, wires or cables past the first external joint. 84. • Any mountings for (or) components not part of the transmission function.
	<p>Il peut comprendre :</p> <ul style="list-style-type: none"> • Toutes les parties qui ont une fonction active dans la transmission (à savoir : par exemple refroidisseur interne à la boîte de vitesses ...). • Fixations de transmission (bossages ou logement mais aucun élastomère, palier ou pièce amovible). • Cylindre récepteur et butée d'embrayage. 	<p>It may include :</p> <ul style="list-style-type: none"> • All parts which have an active function in the transmission (ie: for example internal gearbox cooler...). • Transmission mountings (bosses or housing but not any elastomer, bearing or removable part). • Clutch release slave cylinder and bearing.
	<p>Remarque :</p> <p>Tous les éléments qui ne peuvent être enlevés mais qui ne s'inscrivent pas dans la définition du poids de la transmission peuvent être enlevés à l'aide de calculs avec l'approbation de la Commission Réglementation Homologation.</p> <p>Tout matériau ajouté principalement pour augmenter le poids de la boîte de vitesses et/ou le différentiel arrière (lest ou épaisseur de fonderie locale) doit l'être au-dessus de l'axe d'essieu.</p> <p>Aucun lest externe n'est autorisé.</p>	<p>Remark :</p> <p>Any items which cannot be removed but which do not come within the definition of the weight of the transmission may be removed by calculation with the approval of the Homologation Regulations Commission.</p> <p>Any material added primarily to increase the weight of the gearbox and /or the rear differential (whether ballast or localised casting thickness) must occur above the axle centreline.</p> <p>No external ballast is allowed.</p>
<p>B.</p>	<p>Taille et principales caractéristiques</p> <p>Entre-axe arbre principal / arbre intermédiaire de boîte de vitesses = 90 mm +/-2 mm.</p> <p>Orientation des arbres : les arbres de la boîte de vitesses doivent être parallèles au vilebrequin du moteur.</p> <p>Quantité d'arbres : Seul 1 arbre intermédiaire et un arbre principal sont autorisés dans la boîte de vitesses, à savoir les boîtes de vitesses "3 arbres" ne sont pas autorisées.</p> <p>Les réducteurs épicycloïdaux ne sont pas autorisés.</p> <p>Parties internes de la boîte de vitesses : rapports, crabots, mécanisme de sélection et les parties internes du différentiel doivent être communes indépendamment de la configuration de la boîte de vitesses.</p> <p>Nombre de rapports : maximum 5 avant, 1 marche arrière.</p> <p>Carter en alliage d'aluminium d'une épaisseur minimale de 5.5 mm.</p> <p>NB : l'épaisseur peut être réduite très localement afin d'éviter la proximité (embrayage, volant moteur, etc.) sous réserve de l'approbation de la Commission Réglementation Homologation.</p> <p>Largeur minimale des pignons = 16 mm pour les 1er, 2ème et 3ème rapports et 14 mm pour les 4ème, 5ème rapports, lorsque mesurée à travers la dent au diamètre de pied ou en tout point 1 mm au-dessus ou au-dessous du diamètre de pied.</p> <p>Au-dessus de cette zone chaque côté de la dent peut être chanfreiné à 10° au maximum.</p> <p>De plus, un chanfrein ou un rayon ne dépassant pas 2.0 mm pourra être appliqué aux côtés et extrémités des dents.</p> <p>Les rapports de boîte doivent être fabriqués en acier.</p> <p>L'utilisation de revêtements de surface avec une rigidité de surface supérieure à 1100 Hv est interdite sur tous les composants en alliage à base de fer de la transmission et du différentiel arrière (excepté pour le revêtement des disques du différentiel qui est libre, carbone excepté).</p> <p>Lubrification par barbotage ou sous pression alimentée par une pompe mono-étage.</p> <p>La pompe à huile et les tuyaux internes sont acceptés uniquement pour la circulation de l'huile (à savoir pompes multi-étages et réservoirs d'huile externes sont interdits).</p> <p>Ceci s'applique à la boîte de vitesses et au différentiel arrière.</p>	<p>Size and main features</p> <p>Gearbox layshaft to mainshaft centre distance = 90mm +/-2mm.</p> <p>Shaft orientation: Gearbox shafts are to be parallel to the engine crank shaft.</p> <p>Shaft quantity: Only 1 lay shaft and one main shaft is allowed in the gearbox, i.e. '3 shafts' gearboxes are not allowed.</p> <p>Epicyclic gears are not allowed.</p> <p>Gearbox internals: Ratios, dog rings, selector mechanism and differential internals to be common irrespective of gearbox layout.</p> <p>Number of gears: maximum 5 forward, 1 reverse.</p> <p>Housing in aluminium alloy of a minimum thickness of 5.5 mm.</p> <p>NB: thickness may be reduced very locally in order to avoid proximity (clutch, engine flywheel, etc.) under approval of the Homologation Regulations Commission.</p> <p>Minimum width of the pinions = 16 mm for 1st, 2nd and 3rd gears and 14 mm for 4th, 5th gears when measured across the gear tooth at the root diameter or any point 1mm above or below the root diameter.</p> <p>Above this area each side of the gear teeth may be chamfered by a maximum of 10°.</p> <p>In addition, a chamfer or radius not exceeding 2.0 mm may be applied to the sides and tip of the teeth.</p> <p>The gear ratios must be made from steel.</p> <p>The use of surface coatings with a surface hardness greater than 1100 Hv is forbidden on all components made from iron-based alloy within the transmission and rear differential (except for differential discs coating which is free except carbon).</p> <p>Lubrication by splashing or pressure fed from a single stage pump.</p> <p>The oil pump and internal hoses are accepted only for oil circulation (i.e. multi stages pumps and external oil tanks are forbidden).</p> <p>This applies to the gearbox and the rear differential</p>

C.	<p>Différentiels avant et arrière</p> <p>Les différentiels avant et arrière doivent être de type différentiel à glissement limité.</p> <p>Pré-charge négative interdite. Aucun ajustement externe pour pré-charge positive.</p> <p>Définition de pré-charge négative : le différentiel de précharge négative utilise un ressort que l'effort de séparation des rampes doit dépasser avant que la rampe ne puisse agir sur les faces de friction. Le revêtement des disques de friction est libre à l'exception du carbone qui est interdit.</p> <p>8 faces de friction par côté sont autorisées à cette fin.</p> <p>Un maximum de 3 rampes par différentiel sera homologué</p> <p>Pas de cassette de différentiel amovible.</p> <p>Pas de roulements avec éléments roulants à l'intérieur du système autobloquant, ni pour guider les sorties.</p> <p>Roulements avec éléments roulants uniquement pour guider le carter du différentiel et pour ajuster le jeu latéral du couple conique (douille à aiguille uniquement).</p> <p>Les carters avant et arrière peuvent être différents.</p> <p>Le carter du différentiel arrière doit avoir un nombre suffisant de points de montage (au moins 4) pour l'adapter à tous les types de solutions.</p>	<p>Front and rear differential</p> <p>The front and rear differential must be limited slip differential (LSD) type.</p> <p>Negative preload prohibited. No external adjustment for positive preload.</p> <p>Definition of negative preload: The negative preload differential uses a spring which the ramp separating force has to overcome before the ramp can act onto the friction faces.</p> <p>Coating of the friction discs is free except carbon which is forbidden.</p> <p>8 friction faces per side are sufficient for this purpose.</p> <p>A maximum of 3 ramps per differential will be homologated.</p> <p>No removable differential cassette.</p> <p>No bearing with rolling elements inside the self-locking system, nor for guiding the exits.</p> <p>Bearings with rolling elements only for guiding the differential housing and to set the side bevel gear play (needle bearing only).</p> <p>The front and rear housings may be different.</p> <p>The rear differential housing must have a sufficient number of mounting points (at least 4) to adapt it to all types of solutions.</p>
D.	<p>Informations générales</p> <p>La transmission doit pouvoir être montée sur tout véhicule (avec une configuration moteur semblable) au moyen d'une plaque d'adaptation et de changements mineurs du carter, par ex. carter du flasque de sortie et carter de pignon.</p> <p>Couple moteur : 500 Nm.</p> <p>Régime maximum des arbres 9000 tr/min.</p> <p>Couple sur chaque roue : 6000 Nm (pour prendre en compte le couple inertiel dû au patinage des roues).</p> <p>Le prix maximum pour l'utilisateur final doit être respecté pour chaque nouvelle transmission (Voir Annexe 2).</p>	<p>General information</p> <p>Transmission must be capable of being fitted to any vehicle (with a similar engine layout) by means of an adapter plate and minor casing changes e.g. output flange housing and pinion housing.</p> <p>Engine torque : 500 Nm.</p> <p>Maximum revs of the shafts 9000 rpm.</p> <p>Torque on each wheel : 6000 Nm (to take care of inertia torque due to wheel skating).</p> <p>The maximum price for the final user must be respected for each new transmission (See Appendix 2).</p>
4.	RAPPORTS	RATIOS
	<p>2 ensembles de rapports de boîte de vitesses à l'intérieur de la boîte de vitesses peuvent être homologués (selon extension d'homologation VR4-KIT).</p> <p>1 rapport de couple final doit être homologué (selon extension d'homologation VR4-KIT).</p>	<p>2 sets of gearbox ratios inside the Gearbox may be homologated (per VR4-KIT homologation extension).</p> <p>1 final drive ratio must be homologated (per VR4-KIT homologation extension).</p>
5.	PRIX	PRICE
	<p>La liste des prix, avec les prix maximums autorisés pour l'utilisateur final, doit être complétée à l'aide du formulaire ci-joint.</p>	<p>The price list, with the maximum authorised prices for the final user, must be filled in using the attached form.</p>
6.	DUREE DE VIE	LIFETIME
	<p>Objectifs de durabilité des composants :</p> <ul style="list-style-type: none"> • 2000 km pour les pièces consommables, les rapports (engrenages) et bagues d'embrayage y compris, • 6000 km pour les principaux composants de la transmission, tels que carters, couronne de différentiel et jeux de pignons. <p>Les distances couvertes en mode "route" seront intégrées pour une valeur maximum de 10%.</p>	<p>Components durability targets:</p> <ul style="list-style-type: none"> • 2000 km for consumable parts, including ratio gears and clutch rings, • 6000 km for major transmission components, such as casings, crown-wheel and pinion sets. <p>The distances covered in "road" mode will be integrated for a maximum value of 10%.</p>
7.	SPECIFICATIONS TECHNIQUES – CARACTERISTIQUES DU VEHICULE	TECHNICAL SPECIFICATIONS – CHARACTERISTICS OF THE VEHICLE
	<p>Le véhicule pèsera près de 1200 kg et sera équipé d'un moteur 1.6 turbo produisant moins de 280 ch.</p> <p>(Voir Règlements Technique et d'Homologation pour voitures VR4-KIT).</p>	<p>The vehicle will weigh around 1200 kg and be equipped with a 1.6 turbo engine producing less than 280 hp.</p> <p>(see Technical and Homologation Regulations for VR4-KIT cars).</p>

Homologation Kit Transmission Transmission Kit Homologation

	Prix maximum du système complet pour l'utilisateur final 28'500 euros hors taxes.	Maximum Price of the Complete System for final user 28'500 Euros ex. Tax.																																										
A.	DEFINITION DU KIT DE TRANSMISSION	DEFINITION OF THE TRANSMISSION KIT																																										
	Le prix de la transmission comprend :	The transmission price includes :																																										
1.	Boîte de vitesses	Gearbox																																										
	<p>Le prix inclut :</p> <ul style="list-style-type: none"> Boîte de vitesses complète + arbre d'entrée + différentiel avant. Pompe de lubrification si homologuée. Capteur de rapport engagé. Verrouillage de marche arrière (si nécessaire). Cylindre récepteur et butée d'embrayage. <p>Le prix pour l'entretoise et des changements mineurs du carter pour l'installation dans une nouvelle configuration de voiture doit être défini entre le constructeur et le fournisseur de boîtes de vitesses.</p>	<p>The price includes :</p> <ul style="list-style-type: none"> Complete gearbox + input shaft + front differential. Lubrication pump if homologated. Sensor for gear ratio engaged. Reverse gear lock (if necessary). Clutch slave cylinder and its bearing. <p>The price for the adapter and minor casing changes for installation in a new car layout must be defined between the manufacturer and the gearbox supplier.</p>																																										
2.	Différentiel arrière	Rear Differential																																										
	<p>Le prix comprend :</p> <ul style="list-style-type: none"> Différentiel arrière et son mécanisme. Pompe de lubrification si homologuée. <p>Le prix exclut :</p> <ul style="list-style-type: none"> Dispositif de découplage. Flasques de sortie, qui sont inclus dans la zone de l'arbre de transmission. 	<p>The price includes :</p> <ul style="list-style-type: none"> Rear differential and its mechanism. Lubrication pump if homologated. <p>The price excludes :</p> <ul style="list-style-type: none"> Disconnect unit. Output flanges, which are included into the driveshaft's area. 																																										
3.	Dispositif de découplage	Disconnect Unit																																										
	<p>Le prix comprend :</p> <ul style="list-style-type: none"> L'embrayage, son carter et l'actuateur qui recevra la commande. <p>Le prix exclut :</p> <ul style="list-style-type: none"> ECU et faisceau électrique (le cas échéant). Levier de frein à main et capteur du contacteur. Faisceau vers le boîtier de contrôle de la désactivation. 	<p>The price includes :</p> <ul style="list-style-type: none"> The clutch, its housing and the actuator which will receive the command. <p>The price excludes :</p> <ul style="list-style-type: none"> ECU and electric loom (if needed). Handbrake lever and switch sensor. Loom to deactivation control unit. 																																										
B.	PRIX APRES-VENTE	AFTER SALE PRICES																																										
a)	Prix après-vente de la cassette / Prix utilisateur final	Cluster after sale prices / Final user prices																																										
	<table border="1"> <thead> <tr> <th>Pièce</th> <th>Description</th> <th>Prix maximum Euros hors taxe</th> </tr> </thead> <tbody> <tr> <td>Cassette complète</td> <td>Cassette complète assemblée</td> <td>13'000</td> </tr> <tr> <td>Assemblage complet carters</td> <td>Cassette & Manuel et Carter de transmission</td> <td>8'320</td> </tr> <tr> <td>Arbre principal</td> <td>1^{er} et 2^{ème} rapports sur arbre intermédiaire avec pinions de sortie de 1^{er} et 2^{ème}</td> <td>1'690</td> </tr> <tr> <td>Rapport de boîte</td> <td>Fourni par jeu de deux pièces : pignon et crabot * Premier rapport (si pas sur arbre intermédiaire) et tout autre engrenage usinée * Autres rapports</td> <td>455 364</td> </tr> <tr> <td>Crabot</td> <td></td> <td>195</td> </tr> <tr> <td>Assemblage arbre primaire</td> <td></td> <td>416</td> </tr> </tbody> </table>	Pièce	Description	Prix maximum Euros hors taxe	Cassette complète	Cassette complète assemblée	13'000	Assemblage complet carters	Cassette & Manuel et Carter de transmission	8'320	Arbre principal	1 ^{er} et 2 ^{ème} rapports sur arbre intermédiaire avec pinions de sortie de 1 ^{er} et 2 ^{ème}	1'690	Rapport de boîte	Fourni par jeu de deux pièces : pignon et crabot * Premier rapport (si pas sur arbre intermédiaire) et tout autre engrenage usinée * Autres rapports	455 364	Crabot		195	Assemblage arbre primaire		416	<table border="1"> <thead> <tr> <th>Part</th> <th>Description</th> <th>Maximum Price Euros ex. tax</th> </tr> </thead> <tbody> <tr> <td>Complete cluster</td> <td>Complete cluster assembly</td> <td>13'000</td> </tr> <tr> <td>Complete housings assembly</td> <td>Cluster & Manual and Transmission Housing</td> <td>8'320</td> </tr> <tr> <td>Primary shaft</td> <td>With 1st & 2nd gear on lay shaft with 1st and 2nd output wheels</td> <td>1'690</td> </tr> <tr> <td>Gear ratio</td> <td>Supplied by set of two parts: pinion and dog ring wheel * First gear (if not on lay shaft) and any other hubbed gears * Other gears</td> <td>455 364</td> </tr> <tr> <td>Dog ring</td> <td></td> <td>195</td> </tr> <tr> <td>Clutch shaft assembly</td> <td></td> <td>416</td> </tr> </tbody> </table>	Part	Description	Maximum Price Euros ex. tax	Complete cluster	Complete cluster assembly	13'000	Complete housings assembly	Cluster & Manual and Transmission Housing	8'320	Primary shaft	With 1st & 2nd gear on lay shaft with 1st and 2nd output wheels	1'690	Gear ratio	Supplied by set of two parts: pinion and dog ring wheel * First gear (if not on lay shaft) and any other hubbed gears * Other gears	455 364	Dog ring		195	Clutch shaft assembly		416
Pièce	Description	Prix maximum Euros hors taxe																																										
Cassette complète	Cassette complète assemblée	13'000																																										
Assemblage complet carters	Cassette & Manuel et Carter de transmission	8'320																																										
Arbre principal	1 ^{er} et 2 ^{ème} rapports sur arbre intermédiaire avec pinions de sortie de 1 ^{er} et 2 ^{ème}	1'690																																										
Rapport de boîte	Fourni par jeu de deux pièces : pignon et crabot * Premier rapport (si pas sur arbre intermédiaire) et tout autre engrenage usinée * Autres rapports	455 364																																										
Crabot		195																																										
Assemblage arbre primaire		416																																										
Part	Description	Maximum Price Euros ex. tax																																										
Complete cluster	Complete cluster assembly	13'000																																										
Complete housings assembly	Cluster & Manual and Transmission Housing	8'320																																										
Primary shaft	With 1st & 2nd gear on lay shaft with 1st and 2nd output wheels	1'690																																										
Gear ratio	Supplied by set of two parts: pinion and dog ring wheel * First gear (if not on lay shaft) and any other hubbed gears * Other gears	455 364																																										
Dog ring		195																																										
Clutch shaft assembly		416																																										

	Assemblage pompe à huile		1'170	Oil pump assembly		1'170
	Barillet		1'300	Barrel		1'300
	Axe du sélecteur		416	Selector axle		416
	Fourchette complète		338	Complete fork		338
b)	Boîte de transfert – prix après-vente / prix utilisateur final			Transfer case after sale prices/ Final user prices		
	Pièce	Description	Prix maximum Euros hors taxe	Part	Description	Maximum Price Euros ex. tax
	Boîte de transfert complète	Assemblage complet boîte principale et de transfert	15'000	Complete transfer case	Complete assembly of main and transfer case	15'000
	Assemblage complet carters		Voir Carters de Cassette	Complete housings assembly		See Cluster Housings
	Couple final avant		2'210	Front final drive		2'210
	Couple conique de renvoi arrière		2'210	Transfer spiral bevel drive		2'210
	Différentiel avant <i>Note</i> : égal au différentiel arrière	* Disques de friction (revêtus)	84.50	Front differential <i>Note</i> : equal to rear differential	* Friction disks	84.50
		* Disques rectifiés	65		* Smooth disks	65
		* Planétaires	221		* Inside bevel gear	221
		* Jeu de plateau de pression	325		* Pressure plate set	325
		* Jeu de rondelles Belleville	65		* Belleville washer set	65
		* Satellites	104	* Satellites	104	
	Tulipe de sortie arrière (quel que soit le modèle)	Option : partie de l'arbre longitudinal	481	Rear output flange (whatever model)	Option : part of the longitudinal driveshaft	481
	Butée d'embrayage complète		559	Release bearing assembly		559
c)	Différentiel arrière – prix après-vente / prix utilisateur final			Rear Differential after sale prices/ Final user prices		
	Pièce	Description	Prix maximum Euros hors taxe	Part	Description	Maximum Price Euros ex. tax
	Carters complets assemblés		3'900	Complete housings assembly		3'900
	Assemblage pompe à huile		1'170	Oil pump assembly		1'170
	Couple final arrière		2'210	Rear final drive		2'210
	Pièces principales du différentiel <i>Note</i> : égal au différentiel avant	* Disques de friction (revêtus)	84.50	Differential main parts <i>Note</i> : equal to front differential	* Friction disks	84.50
		* Disques rectifiés	65		* Smooth disks	65
		* Planétaires	221		* Inside bevel gear	221
		* Jeu de plateau de pression	325		* Plate set	325
		* Jeu de rondelles Belleville	65		* Belleville washer set	65
		* Satellites	104	* Satellites	104	
	Dispositif de découplage arrière ("Overload clutch")	Dispositif de découplage arrière complet assemblé (entièrement monté et réglé, sans système de contrôle)	3'900	Rear disconnect unit ("Overload clutch")	Complete rear disconnect unit assembly (fully mounted and tuned, without control system)	3'900
	Tulipe d'entrée (quel que soit le modèle)	Option : partie de l'arbre longitudinal	559	Input flange (whatever model)	Option : part of the longitudinal driveshaft	559

ARTICLE 2XX – 2016
REGLEMENTATION SPECIFIQUE AUX VOITURES EQUIPEES DU KIT-R4
SPECIFIC REGULATIONS FOR CARS FITTED WITH R4 KIT

Article modifié - Modified Article	Date d'application - Date of application	Date de publication - Date of publication

	RALLYE 5 - R5 Essence REGLEMENTATION	RALLY 5 / R5 Petrol REGULATIONS
00-0	Préambule : Cet Article 2XX doit être utilisé avec les Articles 251, 252 et 253 de l'Annexe J et avec les fiches KIT-R4 et fiches d'homologation ASN-R4.	Foreword : this Article 2XX must be used with Articles 251, 252 and 253 of Appendix J and with the corresponding KIT-R4 and ASN-R4 homologation forms.
01-1	DEFINITION / DEFINITION	
01-2	Voitures de Tourisme ou de Grande Production de Série, moteur suralimenté Essence, 4 roues motrices. Les kits R4 ne peuvent être montés que sur des modèles de voitures de série avec 2 roues motrices ou 4 roues motrices produit à plus de 2500 exemplaires en 12 mois consécutifs.	Touring Cars or Large Scale Series Production Cars, supercharged Petrol engine, 4-wheel drive. The R4 kits may be fitted only on Series Production Cars with 2-wheel drive or 4-wheel drive produced in a quantity of at least 2500 units within 12 consecutive months.
02-1	HOMOLOGATION / HOMOLOGATION	
02-2	<p>La validé de l'homologation d'un « kit-R4 » sera accordée pour une durée de 7 années, renouvelable pour deux périodes 2 années chacune. Pour chaque constructeur de kit-R4, aucune nouvelle homologation ne sera autorisée pendant une période de quatre (4) années.</p> <p>De plus, les voitures équipées d'un kit R4 et utilisées sur route ouverte doivent être immatriculées pour utilisation routière.</p> <p>La fiche d'homologation du VR-kit R4 doit être utilisée, complétée par la fiche d'homologation ASN-R4 et la fiche d'homologation armature de sécurité ASN.</p> <p><u>Disponibilité des pièces :</u> Toutes les pièces homologuées en variante kit-R4 doivent être disponibles pout tout concurrent pendant toute la durée de validité de l'homologation.</p> <p><u>Fiche d'homologation ASN-R4 :</u> Les dimensions suivantes correspondant à la voiture de série (voir manuel d'homologation FIA) doivent être déclarées :</p> <ul style="list-style-type: none"> - Longueur hors-tout - Largeur hors-tout - Largeur de carrosserie à l'axe d'essieu avant - Largeur de carrosserie à l'axe d'essieu arrière - Porte à faux avant - Porte à faux arrière - Empattement <p>Les informations suivantes correspondant à la voiture de type R4 doivent être mentionnées:</p>	<p>The homologation validity of one "R4-Kit" will be granted for 7 years, to be renewed twice for 2 years each time For each R4-kit manufacturer, no new homologation will be permitted within a period of four (4) years.</p> <p>Furthermore, cars fitted with a R4 kit and used on open roads must be officially registered for road use.</p> <p>The homologation form VR-kit R4 must be used, completed by the homologation form ASN-R4 and the ASN homologation for safety cage.</p> <p><u>Availability of parts:</u> All the parts homologated in R4-kit variant must be available for any competitor throughout the all period during which the homologation is valid.</p> <p><u>Homologation form ASN-R4 :</u> The following dimensions corresponding to the series production car (see FIA homologation manual) must ne declared :</p> <ul style="list-style-type: none"> - Overall length - Overall width - Width of bodywork at front axle centerline - Width of bodywork at rear axle centerline - Front overhang - Rear overhang - Wheelbase <p>The following informations corresponding to the R4 type car must be mentionned :</p>

	<ul style="list-style-type: none"> - Positionnement (coordonnées / dimensions) du KIT-R4 dans la coque de la voiture de série (voir Annexe 1) - Dossier de modification de coque (voir article 900-f) - Supports de siège et ancrages pour support de siège - Mousse de sécurité pour choc latéral - Panneaux de porte - Parebrise <p>Pour chaque voiture de type R4, les ASN doivent déclarer à la FIA :</p> <ul style="list-style-type: none"> - le numéro de passeport technique ASN - le numéro d'homologation et le certificat d'homologation de l'armature de sécurité (y compris la déclaration d'installation avec numéro de série de l'armature de sécurité). 	<ul style="list-style-type: none"> - Positioning (coordinates / dimensions) of the R4-KIT in the series production bodyshell - Bodyshell modification dossier (see article 900-f) - Seat supports and anchorages for seat support - Safety foam for lateral crash - Door pannel - Windscreen <p>For each R4 type car, the ASN must declare to FIA :</p> <ul style="list-style-type: none"> - the ASN technical passport number - the homologation number and the homologation certificate of the safety cage (including the installation declaration with serial number of the safety cage)
02-3	Tous les éléments homologués dans la fiche VR4-KIT doivent être utilisés dans leur totalité. Ces éléments ne peuvent en aucun cas être modifiés.	All the parts homologated on the VR4-KIT form must be used in their entirety. These parts must not be modified.
03-1	MODIFICATIONS ET AJOUTS AUTORISÉS / AUTHORISED MODIFICATIONS AND ADDITIONS	
03-2	Ce règlement est rédigé en termes d'autorisation, donc ce qui n'est pas expressément autorisé ci-après est interdit.	These regulations are written in terms of authorisation; therefore, what is not expressly authorised hereinafter is prohibited.
03-4	<p>Les filets endommagés peuvent être réparés par un nouveau filet vissé, de même diamètre intérieur (type "helicoil").</p> <p>Les limites des modifications et montages autorisés sont spécifiées ci-après.</p> <p>En dehors de ces autorisations, toute pièce détériorée par usure ou par accident ne peut être remplacée que par une pièce identique à la pièce endommagée, origine ou spécifique.</p> <p>Les voitures doivent être strictement de série et identifiables par les données précisées par les articles de la fiche d'homologation.</p> <p><u>Boulons et écrous :</u></p> <p>Dans toute la voiture, tout écrou, boulon, vis, peut être remplacé par tout écrou ou boulon ou vis, et comporter toute sorte de blocage (rondelle, contre-écrou, etc.).</p>	<p>Damaged threads can be repaired by screwing on a new thread with the same interior diameter ("helicoil" type).</p> <p>The limits of the modifications and fittings allowed are specified hereinafter.</p> <p>Apart from these, any part worn through use or accident can only be replaced by an original or specific part identical to the damaged one.</p> <p>The cars must be strictly series production models identifiable from the information given on the homologation form.</p> <p><u>Nuts and bolts:</u></p> <p>Throughout the car, any nut, bolt or screw may be replaced by any other nut, bolt or screw and have any kind of locking device (washer, lock nut, etc.).</p>
03-5	<p>Matériaux : L'utilisation d'alliage de magnésium est interdite sauf dans le cas des pièces montées sur le modèle de série.</p> <p>L'utilisation de céramique et d'alliage de titane n'est pas autorisée à moins que ces matériaux ne soient présents sur le véhicule de série. Seuls ces éléments standard doivent être utilisés.</p> <p>L'utilisation de carbone et/ou de kevlar est autorisée à la condition qu'une seule couche de tissu soit utilisée et soit apposée sur la face visible de la pièce.</p> <p>L'utilisation de plusieurs couches de Kevlar ou de fibre de verre pour les protections de carrosserie (latérales, plancher, passage de roue) est autorisée.</p> <p>Les protections du réservoir de carburant peuvent comporter plusieurs couches de kevlar, fibre de carbone ou fibre de verre.</p> <p>Les éléments libres ainsi que les éléments homologués en VR4-KIT doivent être conformes à l'Article 252-1.3 de l'Annexe J.</p>	<p>Materials: The use of magnesium alloy is prohibited except in the case of parts fitted on the series model.</p> <p>The use of ceramics and titanium alloy is not authorised unless these materials are present on the series vehicle. Only these standard parts must be used.</p> <p>The use of carbon and/or Kevlar is authorised on condition that only one layer of fabric is used and is affixed to the visible face of the part.</p> <p>The use of several layers of Kevlar or fibreglass for the protections of the bodywork parts (side, floor, inner wheel arch) is authorised.</p> <p>The fuel tank protections may be made from several layers of Kevlar, carbon fibre or fibreglass.</p> <p>The free parts as well as the parts homologated in VR4-KIT must be in conformity with Article 252-1.3 of Appendix J.</p>
201-01	POIDS MINIMUM / MINIMUM WEIGHT	
201-02	Les voitures doivent avoir au moins le poids suivant :	The cars must have at least the following weight:
201-03	<p>C'est le poids réel de la voiture, sans pilote ni copilote, ni leur équipement.</p> <p>L'équipement étant constitué des éléments suivants :</p> <ul style="list-style-type: none"> - casque + dispositif de retenue de tête du pilote - casque + dispositif de retenue de tête du copilote <p>A aucun moment de la compétition, une voiture ne doit peser moins que ce poids minimum.</p>	<p>This is the real weight of the car, with neither driver nor co-driver nor their equipment.</p> <p>The equipment comprising the following:</p> <ul style="list-style-type: none"> - driver's helmet + head restraining device - co-driver's helmet + head restraining device. <p>At no time during the competition may a car weigh less than this minimum weight.</p>

	En cas de litige sur la pesée, l'équipement complet du pilote et du copilote (voir ci-dessus) sera retiré ; ceci inclut le casque, mais les écouteurs externes au casque peuvent être laissés dans la voiture. L'utilisation de lest est autorisée dans les conditions prévues par l'Article 252-2.2 des "Prescriptions Générales".	In case of a dispute during weighing, the full equipment of the driver and co-driver (see above) will be removed; this includes the helmet, but the headphones external to the helmet may be left in the car. The use of ballast is permitted in the conditions provided for under Article 252-2.2 of the "General Prescriptions".
201-04	Le poids minimum est de 1230 kg dans les conditions de l'Article 201-03 (et avec une seule roue de secours). Le poids minimum de la voiture (dans les conditions de l'Article 201-03 et avec une seule roue de secours) avec l'équipage (pilote + copilote) est de 1390 kg. Dans le cas où 2 roues de secours sont transportées dans la voiture, la seconde roue de secours doit être retirée avant la pesée.	The minimum weight is 1230 kg under the conditions of Article 201-03 (and with only one spare wheel). The combined minimum weight of the car (under the conditions of Article 201-03 and with only one spare wheel) and crew (driver + co-driver) is 1390 kg. When two spare wheels are carried in the car, the second spare wheel must be removed before weighing.
205-1	GARDE AU SOL / GROUND CLEARANCE	
205-2	Aucune partie de la voiture ne doit toucher le sol quand tous les pneumatiques situés d'un même côté sont dégonflés. Ce test doit être effectué sur une surface plane dans les conditions de course (occupants à bord).	No part of the car must touch the ground when all the tyres on one side are deflated. This test must be carried out on a flat surface under race conditions (occupants on board).
300-1	MOTEUR / ENGINE	
300-2	Les écrans fabriqués dans un matériau plastique, servant à cacher les éléments mécaniques du compartiment moteur, peuvent être retirés s'ils n'ont qu'une fonction esthétique.	Engine shields made of plastic material, the purpose of which is to hide mechanical components in the engine compartment, may be removed if they have a solely aesthetic function.
300-3	Les matériaux d'insonorisation et les garnitures non visibles de l'extérieur fixés sous le capot moteur peuvent être retirés.	Soundproofing material and trim fitted under the bonnet and not visible from the outside may be removed.
300-4	La visserie peut être changée à condition de conserver de l'alliage à base de fer.	The screws and bolts may be changed, provided that the replacements are made from iron-based alloy.
300-5	Il est autorisé de fermer les ouvertures non utilisées dans le bloc cylindre, si la seule fonction de cette opération est la fermeture.	It is permitted to close the unused apertures in the cylinder block, if the only purpose of this operation is that of closing.
302-1	Supports Moteur / Boîte de vitesses	Engine / Gearbox mountings
302-3	Les supports du moteur / boîte de vitesse peuvent être remplacés et déplacés dans le compartiment moteur. Le nombre de supports moteur / boîte de vitesse peut être modifié par rapport à la voiture de base. Nombre maximum de supports autorisé : 4 Le matériau de l'élément élastique peut être remplacé. L'orientation du moteur de la variante kit-R4 doit être identique à l'orientation du moteur de la voiture de série. Il est autorisé : <ul style="list-style-type: none"> • Soit de garder l'inclinaison du moteur telle qu'elle est dans son compartiment d'origine. • Soit d'incliner ce moteur autour de son vilebrequin d'un angle maximum de 25° par rapport à la verticale. Les supports pourront être soudés au moteur et à la carrosserie et leur position est libre. Installation de l'ensemble moteur / boîte de vitesse : voir annexe 1. La cloison moteur et les longerons peuvent être modifiés uniquement localement dans le seul but d'installer le moteur et la boîte de vitesse. Les modifications éventuelles des longerons devront garantir la même rigidité que le longeron d'origine. Pour chaque marque / modèle de voiture, toutes les modifications doivent être approuvés et	The engine / gearbox mountings may be replaced and moved in the engine compartment. The number of engine / gearbox mountings may be modified compared to the series production car. Maximum number of mountings allowed : 4 The material of the elastic part may be replaced. The direction of the engine of the R4-kit variant must be identical to the direction of the engine of the standard car. It is permitted: <ul style="list-style-type: none"> • Either to retain the angle of inclination of the engine in its original compartment. • Or to tilt the engine by a maximum of 25° to the vertical around its crankshaft. The mountings may be welded to the engine and to the bodywork and their position is free. Installation of the assembly engine / gearbox : see appendix 1. The engine bulkhead and the side rails may be modified only locally for the sole purpose of installing the engine and the gearbox. Any modifications of the side rails must guarantee the same rigidity as the original side member. For each make / model of car, all modifications must be approved and certified by the R4 kit

	validés par le constructeur du kit R4.	manufacturer.
304-1	Turbocompresseur	Turbocharger
304-2	<p>Le turbocompresseur doit être homologué en VR4-KIT. Aucun dispositif de suralimentation supplémentaire par rapport à l'origine n'est autorisé. La bride doit avoir une dimension maximale interne de 33mm (proposal TBC)* et une dimension externe de 39mm (proposal TBC)*, aux conditions données dans l'Article 255.5.1.8.3. Ce diamètre est révisable à tout moment sans préavis. Tout l'air nécessaire à l'alimentation du moteur doit passer au travers de cette bride. Le capteur de régime turbo ne doit pas être situé entre le diamètre minimum de la bride et le plan tangent au sommet des aubes de la roue de compression. La pression de suralimentation maximale est de 2.5 bars*. Le système de contrôle de suralimentation FIA homologué (soupape de décharge, voir liste technique FIA n°43) doit être fixé sur le tube FIA décrit sur la fiche d'homologation. Son montage doit être effectué de telle façon qu'il soit nécessaire de retirer entièrement deux vis pour pouvoir le désolidariser du tube FIA. Ces vis peuvent être scellées par les commissaires techniques. *sous réserve de tests supplémentaires <u>Waste-gate :</u> La waste-gate doit être homologué en VR4-KIT. L'axe permettant de connecter l'actuateur de waste-gate au turbocompresseur peut être remplacé.</p>	<p>The Turbocharger must be homologated in VR4-KIT. No additional supercharging device relative to the original is authorised. The maximum internal diameter of the restrictor is 33mm (proposal TBC)* and the external dimension is 39mm (proposal TBC)*, in the conditions set out in Article 255.5.1.8.3. This diameter may be revised at any time without notice. All the air necessary for feeding the engine must pass through this restrictor. The turbo speed sensor must not be situated between the restrictor minimum diameter and the plane tangent to the top of the blades of the impeller wheel. The maximum boost pressure is 2.5 bar*. The homologated FIA boost control system (pop-off valve, see FIA Technical list n°43) must be fitted on the FIA pipe as described on the homologation form. Its mounting must be carried out in such a way that two screws have to be entirely removed in order to be able to separate it from the FIA pipe. These screws may be sealed by the scrutineers. *subject to additional tests <u>Waste-gate :</u> The waste-gate must be homologated in VR4-KIT. The pin used to connect the waste-gate actuator to the turbocharger may be changed.</p>
304-2-bis	Echangeur d'air de suralimentation	Supercharging air exchanger
	<p>L'échangeur d'air de suralimentation doit être d'origine ou provenir d'un modèle d'automobile d'un constructeur produit à plus de 2500 exemplaires Dans tous les cas :</p> <ul style="list-style-type: none"> • L'échangeur air/air doit avoir un volume de faisceau maximal V1max de 9.3 dm3. • Le faisceau échangeur doit comporter au maximum six faces planes. • Le volume total du faisceau est déterminé par ses dimensions extérieures (Longueur x Largeur x Epaisseur). <p>Les entrées et sorties d'air du peuvent être modifiées.</p> <p>S'il n'est pas d'origine, l'échangeur doit être installé à l'intérieur du compartiment moteur, le châssis peut être modifié à cet effet (cette modification doit être homologuée). Les échangeurs de type air-eau sont interdits, sauf si le véhicule de série en est équipé ; dans ce cas, aucune modification n'est autorisée.</p> <p>Les tuyaux reliant le dispositif de suralimentation, l'intercooler et le collecteur sont libres (à condition de rester dans le compartiment moteur), mais leur seule fonction doit être de canaliser l'air et de relier plusieurs éléments entre eux. En tout point, la section de ces tuyaux doit être inférieure ou égale à celle d'un tube de 80 mm intérieur. Les conduites d'air de refroidissement en amont de l'échangeur sont libres. Les écrans d'air de refroidissement de l'échangeur peuvent être fabriqués dans un matériau composite. Les supports et la position de l'échangeur sont libres (sous réserve d'être monté dans le compartiment moteur). De plus, le volume total entre la bride et le papillon ne doit pas dépasser 20 litres.</p>	<p>The Supercharging air exchanger must be original or coming from a model of automobile of a manufacturer produced in a quantity of more than 2500 units. In all cases: The air/air intercooler must have a maximum interchanger core volume V1max of 9.3 dm3. The interchanger core must have a maximum of six flat faces. The total volume of the core is determined by its external dimensions (Length x Width x Thickness). Air inlet and outlet may be modified. If it is not original, the exchanger must be installed inside the engine bay; the chassis may be modified to this effect (this modification must be homologated). Exchangers of the air-water type are prohibited, unless the series vehicle is so equipped; in this case, no modifications are authorised. The pipes between the supercharging device, the intercooler and the manifold are free (on condition that they remain in the engine bay), but their only function must be to channel air and to join various parts together. At any point, the section of these pipes must be lower than or equal to that of a tube with an interior diameter of 80 mm. The air cooling lines upstream of the exchanger are free. The air cooling screens of the exchanger may be made from composite material. The supports and the position of the exchanger are free (on condition that it is installed in the engine bay). Furthermore, the total volume between the restrictor and the butterfly must not exceed 20 litres.</p>

305-1	Nombre de cylindres en rallyes	Number of cylinders in rallies
305-2	Le nombre de cylindres est limité à 4.	The number of cylinders is limited to 4.
310-0	Rapport de compression	Compression Ratio
310-1	Taux maximum : 10,5: 1	Maximum ratio: 10,5:1
317-0	Piston complet	Complete piston
317-1	Homologué en VR4-KIT.	Homologated in VR4-KIT.
318-0	Bielle	Connecting rod
318-1	Homologuée en VR4-KIT.	Homologated in VR4-KIT.
319-0	Vilebrequin	Crankshaft
319-1	Homologué en VR4-KIT.	Homologated in VR4-KIT.
319-3	La marque et le matériau des coussinets et des cales de latéral sont libres, mais ils doivent conserver le type et les dimensions du moteur homologué en VR4-KIT.	The make and material of the shell bearing and thrust shell bearings are free, but they must retain the type and dimensions of the engine homologated in VR4-KIT.
320-0	Volant moteur	Engine flywheel
320-2	Homologué en VR4-KIT.	Homologated in VR4-KIT.
321-0	Culasse	Cylinder head
321-1	Homologuée en VR4-KIT. Il est autorisé de fermer les ouvertures non utilisées dans la culasse, si la seule fonction de cette opération est la fermeture.	Homologated in VR4-KIT. It is authorised to close the unused openings in the cylinder head, if closing them is the only purpose of this operation.
321-2	Tous dispositifs de recyclage des gaz d'échappement ou systèmes équivalents (par ex. une pompe à air supplémentaire, filtres à charbon actif) peuvent être supprimés et les orifices résultants de cette opération obturés.	All devices for recycling the exhaust gases or equivalent systems (e.g. an additional air pump, active carbon filters) may be removed and the openings resulting from that operation sealed.
322-0	Joint de culasse	Cylinder head gasket
322-2	Homologué en VR4-KIT.	Homologated in VR4-KIT.
324-a0	Système d'injection	Injection system
324-a1	Tout système d'injection supplémentaire (par ex. eau) est interdit. <u>Injecteurs</u> Pour l'injection directe d'essence, en tout point du circuit de carburant, la pression maximale autorisée est de 8 bars dans le circuit basse pression et de 200 bars en moyenne sur un cycle dans le circuit haute pression (injection directe seulement).	Any additional injection system (i.e. water ...) is prohibited. <u>Injectors</u> For direct petrol injection, at any point of the fuel circuit, the maximum pressure authorised is 8 bars in the low pressure circuit and 200 bars average on one cycle in the high pressure circuit (direct injection only).
324-a2	L'ECU doit être homologué en VR4-KIT.	The ECU must be homologated in VR4-KIT.

324-a3	<p>Les entrées dans l'ECU (senseurs, actuators, etc.), incluant leurs fonctions, doivent être homologuées en VR4-KIT.</p> <p>Le faisceau moteur homologué en VR4-KIT doit être utilisé.</p> <p>Il est permis de remplacer ou de doubler le câble de commande de l'accélérateur par un autre provenant ou non du constructeur.</p> <p>Les éléments du système d'injection situés après le dispositif de mesure d'air qui règle le dosage de la quantité d'essence admise dans la chambre de combustion peuvent être modifiés mais non supprimés, pour autant qu'ils n'aient aucune influence sur l'admission d'air.</p> <p>Seuls des capteurs / actuators homologués en VR4-KIT doivent être utilisés.</p>	<p>Inputs to the ECU (sensors, actuators, etc.), including their functions, must be homologated in VR4-KIT.</p> <p>The engine loom homologated in VR4-KIT must be used.</p> <p>The accelerator cable may be replaced or doubled by another one regardless of whether it comes from the manufacturer or not.</p> <p>Components of the injection system situated downstream of the air-flow measuring device, and which control the quantity of petrol entering the combustion chamber, may be modified but not replaced, provided that they do not have any influence over the quantity of air admitted.</p> <p>Only sensors / actuators homologated in VR4-KIT must be used.</p>
324-a4-5	Un système d'acquisition de données peut-être ajouté.	A data recording system may be added.
325-0	Arbres à cames / Poulies	Camshaft / Pulleys
325-1	<p>Levée 11 mm maxi.</p> <p>La loi de levée doit être homologuée en VR4-KIT.</p> <p>Le nombre et le diamètre des paliers doivent être conservés.</p> <p>Les systèmes type "VVT" et "VALVETRONIC" etc. sont autorisés si d'origine. Ils peuvent être rendus inopérants.</p>	<p>Maximum lift 11 mm.</p> <p>The cam lift must be homologated in VR4-KIT.</p> <p>The number and diameter of the bearings must be retained.</p> <p>"VVT" and "VALVETRONIC" etc. type systems are authorised if original. They may be rendered inoperative.</p>
325-3	<p>Les poulies / engrenages / pignons montés sur les arbres à cames doivent être homologués en VR4-KIT.</p> <p>Si le moteur d'origine est équipé de tendeurs de courroies (ou de chaînes) automatiques, il est possible de les bloquer dans une position donnée par un dispositif mécanique.</p> <p>Les galets tendeur de courroie sont libres, nombre idem origine.</p> <p>La courroie / chaîne de distribution doit être homologuée en VR4-KIT.</p>	<p>The pulleys / gearing / pinions fitted on the camshafts must be homologated in VR4-KIT.</p> <p>If the original engine is fitted with automatic belt (or chain) tensioners, it is permitted to lock them in a given position by means of a mechanical device.</p> <p>The belt tension rollers are free, but their number must be identical to the original.</p> <p>The timing belt / chain must be homologated in VR4-KIT.</p>
325-f0	Poussoirs / Culbuteurs	Tappets / Rocker arms
325-f2	Homologués en VR4-KIT.	Homologated in VR4-KIT.
326-0	Distribution	Timing
326-1	<p>Le calage de la distribution est libre.</p> <p>Si la distribution d'origine comporte un système de rattrapage de jeu automatique, celui-ci peut être neutralisé mécaniquement et l'utilisation de cales de réglage est autorisée.</p> <p>Les arrivées d'huile peuvent être obstruées. Les bouchons utilisés ne doivent pas avoir d'autre fonction que celle d'obturation des conduits.</p>	<p>The timing is free.</p> <p>If the original timing includes an automatic play recovery system, this may be neutralised mechanically and play compensation discs may be used.</p> <p>The oil inlets may be blocked. The plugs used must have no function other than that of blocking the ducts.</p>
326-2	Les cales de réglage du jeu des soupapes entre les poussoirs et les tiges de soupape sont libres.	The valve play compensation discs between the valve buckets and stems are free.
327-a0	Système d'admission	Intake system
327-a1	<p>Le système à géométrie variable est interdit.</p> <p>Si la voiture de série en est équipée, il doit être désactivé.</p> <p>Le collecteur d'admission doit être homologué en VR4-KIT.</p> <p>La liaison entre le collecteur d'admission et le collecteur d'échappement n'est pas autorisée, même si elle est montée sur le moteur de série.</p> <p>Le système de contrôle de suralimentation de la FIA avec une pression de suralimentation maximale de 2,5 bars* doit être utilisé.</p> <p>*sous réserve de tests supplémentaires</p>	<p>Variable geometry intake is prohibited.</p> <p>If the series-produced car is equipped with one, it has to be deactivated.</p> <p>The intake manifold must be homologated in VR4-KIT.</p> <p>The connection between the intake and the exhaust manifold is not allowed, even if it fitted on the series engine.</p> <p>The FIA boost control system with a maximum boost pressure of 2,5 bar* must be used.</p> <p>* subject to additional tests</p>

327-d0	Soupapes d'admission	Intake valves
327-d1	Homologuées en VR4-KIT. Les clavettes et les guides ne sont soumis à aucune restriction : il est autorisé d'ajouter des cales d'épaisseur sous les ressorts.	Homologated in VR4-KIT The cotters and guides are not subject to any restriction: it is permitted to add spacers under the springs.
327-d2	Commande d'accélérateur	Accelerator / Throttle control
327-d3	Libre avec son arrêt de gaine.	Free with its sleeve stop.
327-d6	Filtre à air	Air filter
327-d7	Le filtre à air, sa boîte et la chambre de tranquillisation sont libres mais doivent rester dans le compartiment moteur. Si la prise d'air de ventilation de l'habitacle se trouve dans la zone où s'effectue la prise d'air pour le moteur, il faut que cette zone soit isolée du bloc filtre à air, en cas d'incendie. L'entrée d'air peut être grillagée. Les éléments destinés à lutter contre la pollution peuvent être ôtés pourvu que cela ne conduise pas à une augmentation de la quantité d'air admise. Le boîtier du filtre à air ainsi que les conduits d'air peuvent être en matériau composite. Pour le boîtier, le matériau doit être ignifugeant.	The air filter, its box and the plenum chamber are free but must remain in the engine compartment. If the air intake ventilating the driving compartment is in the same zone as the air intake for the engine, this zone must be isolated from the air filter unit, in case of fire. The air intake may be fitted with a grill. Anti-pollution components may be removed, provided that this does not result in an increase in the quantity of air admitted. The air filter housing and the air ducts may be made from composite material. For the housing, the material must be fire-retardant.
327-d8	Boîtier papillon	Throttle valve housing
327-d9b	Il est permis de modifier les éléments du dispositif d'injection qui règlent le dosage de la quantité de carburant admise dans la chambre de combustion, mais pas le diamètre de l'ouverture du papillon.	Components of the injection system which control the quantity of fuel entering the combustion chamber may be modified, but not the diameter of the throttle valve opening.
327-d10	Le boîtier papillon doit être homologué en VR4-KIT.	The throttle unit must be homologated in VR4-KIT.
327-h0	Ressort de soupape d'admission	Intake valve spring
327-h1	Doivent être homologués en VR4-KIT	Must be homologated in VR4-KIT
327-h2	Coupelle de ressort de soupape d'admission	Intake valve spring cup
327-h3	Doivent être homologués en VR4-KIT	Must be homologated in VR4-KIT
328-d0	Soupape d'échappement	Exhaust valve
328-d1	Homologuée en VR4-KIT. Les clavettes et les guides ne sont soumis à aucune restriction : il est autorisé d'ajouter des cales d'épaisseur sous les ressorts.	Homologated in VR4-KIT The cotters and guides are not subject to any restriction: it is permitted to add spacers under the springs.
328-h0	Ressort de soupape d'échappement	Exhaust valve spring
328-h1	Doivent être homologués en VR4-KIT	Must be homologated in VR4-KIT
328-h2	Coupelle de ressort de soupape d'échappement	Exhaust valve spring cup
328-h3	Doivent être homologués en VR4-KIT	Must be homologated in VR4-KIT

328-p0	Collecteur d'échappement	Exhaust manifold
328-p0b	Le collecteur d'échappement doit être homologué en VR4-KIT.	The exhaust manifold must be homologated in VR4-KIT.
328-p2	Système d'échappement	Exhaust system
328-p3a	<p>Libre en aval du turbocompresseur.</p> <p>L'épaisseur des tubes utilisés pour réaliser la ligne d'échappement doit être supérieure ou égale à 0.9 mm, mesurée dans les parties non cintrées, la section maximale du ou des tubes doit être équivalente à celle d'un tube de 70 mm de diamètre intérieur.</p> <p>Dans le cas où deux entrées dans le premier silencieux existent, la section du conduit modifié doit être inférieure ou égale au total des deux sections d'origine.</p> <p>Un seul tuyau doit être présent en sortie, sauf éventuellement si la pièce d'origine est utilisée.</p> <p>L'emplacement de la sortie d'échappement arrière est libre. Une découpe supplémentaire dans le pare-chocs arrière peut être réalisée à cet effet.</p> <p>Ces libertés ne doivent pas entraîner de modifications de carrosserie et doivent respecter la législation du pays de la compétition en ce qui concerne les niveaux sonores.</p> <p>Un silencieux est une partie du système d'échappement destinée à réduire le niveau de bruit d'échappement du véhicule.</p>	<p>Free downstream of the turbocharger.</p> <p>The thickness of the tubes used for the exhaust system must be greater than or equal to 0.9 mm, measured in the uncurved parts. The section of these tubes must be equivalent to that of a tube with a maximum interior diameter of 70 mm.</p> <p>Should two inlets exist in the first silencer, the section of the modified duct must be less than or equal to the total of the two original sections.</p> <p>Only one pipe may be present at the exit, unless the original part is used. The rear exhaust exit position is free. An additional cut-out in the rear bumper can be performed for this purpose.</p> <p>These liberties must not entail any bodywork modifications and must respect the laws of the country in which the competition is run with regard to noise levels.</p> <p>A silencer is a section of the exhaust system that serves to reduce the exhaust noise level of the vehicle.</p>
328-p4	Les pièces supplémentaires pour le montage de l'échappement sont autorisées.	Additional parts for the mounting of the exhaust are authorised.
328-p6	Convertisseur catalytique	Catalytic converter
328-p7	Il doit être soit de série (provenant du modèle de série produit à plus de 2500 exemplaires), soit pris dans la Liste Technique n°8.	It must be either series (coming from the series model produced in a quantity of more than 2500 units) or taken from the technical list n°8.
328-p7b	Le noyau du convertisseur catalytique doit être situé au moins 150 mm avant l'extrémité du tuyau d'échappement.	The catalytic converter core must be situated at least 150mm before the end of the exhaust pipe.
329-0	Arbres d'équilibrage	Balancing shafts
329-0	Toute modification doit être homologuée en VR4-KIT.	Any modification must be homologated in VR4-KIT.
330-0	Allumage	Ignition
330-1	Liberté pour la marque et le type des bougies et pour les câbles HT.	Freedom for the make and type of the spark plugs and for the HT cables.
331-0	Refroidissement d'eau moteur	Engine water cooling
331-01	La pompe à eau doit être homologuée en VR4-KIT. Le système d'entraînement de la pompe à eau doit être homologué en VR4-KIT	The water pump must be homologated in VR4-KIT. The water pump drive system must be homologated in VR4-KIT
331-02	<p>Le radiateur doit provenir d'un modèle d'automobile d'un constructeur produit à plus de 2500 exemplaires.</p> <ul style="list-style-type: none"> • Les entrées et sorties du radiateur d'eau peuvent être modifiées • Des nouveaux points de fixation pour le ventilateur peuvent être ajoutés • Le radiateur doit être monté au même endroit que le radiateur de série. • Tout système de pulvérisation sur le radiateur d'eau du moteur est interdit. <p>Les fixations sont libres, ainsi que canalisations d'eau et écrans. Le ventilateur est libre.</p>	<ul style="list-style-type: none"> • The radiator must come from a model of automobile of a manufacturer produced in a quantity of more than 2500 units. • The inlets and outlets of the radiator may be modified • New mounting points for the engine cooling fan may be added • The radiator must be mounted in the same location as the standard production radiator. • Any spraying system on to the engine water radiator is prohibited. <p>The fixings are free, as well as the water lines and screens. The fan is free.</p>

331-03	<p>Le montage d'un récupérateur pour l'eau de refroidissement est permis.</p> <p>Le vase d'expansion de refroidissement d'eau d'origine peut être remplacé par un autre à condition que la contenance du nouveau vase d'expansion ne dépasse pas 2 litres et qu'il soit placé dans le compartiment moteur.</p> <p>Le bouchon de radiateur et son système de verrouillage sont libres.</p> <p>Le thermostat est libre, ainsi que le système de commande du (des) ventilateur(s) électrique(s) et sa température de déclenchement. Les conduits de liquide de refroidissement extérieurs au bloc moteur et leurs accessoires sont libres. Des conduits d'un matériau et/ou diamètre différents peuvent être utilisés.</p> <p>A tout moment, la distance maximale entre la face arrière du faisceau radiateur et la partie la plus en arrière des pales du ventilateur de refroidissement est de 150 mm.</p> <p>Un conduit peut être monté entre le faisceau radiateur et le ventilateur de refroidissement.</p>	<p>The fitting of a water catch tank is allowed.</p> <p>The original expansion chamber may be replaced with another, provided that the capacity of the new chamber does not exceed 2 litres and that it is placed in the engine compartment.</p> <p>The radiator cap and its locking system are free.</p> <p>The thermostat is free, as is the control system of the electric fan(s) and the temperature at which it (or they) cuts in. The liquid cooling lines external to the engine block and their accessories are free. Lines of a different material and/or diameter may be used.</p> <p>At any time, the maximum distance between the rear face of the radiator core and the rearmost part of the cooling fan blades is 150 mm.</p> <p>A duct may be fitted between the radiator core and the cooling fan.</p>
333-a0	Lubrification / Système d'huile	Lubrication / Oil system
333-a1	<p>Radiateur, échangeur huile/eau, tubulures, thermostat et crépines (y compris le nombre) sont libres (sans modification de carrosserie).</p> <p>Le radiateur à huile ne peut pas se trouver à l'extérieur de la carrosserie.</p> <p>Mise à l'air libre : Si le système de lubrification prévoit une mise à l'air libre, il doit être équipé de telle manière que les remontées d'huile s'écoulent dans un récipient récupérateur. Celui-ci aura une capacité minimale de 1 litre. Ce récipient doit être en matière plastique translucide ou comportera un panneau transparent.</p> <p>Séparateur air/huile : il est possible de monter un séparateur air/huile à l'extérieur du moteur (capacité maxi 1 litre), selon le Dessin 255-3.</p> <p>L'huile doit s'écouler du réservoir d'huile vers le moteur sous le seul effet de la gravité.</p> <p>A défaut, les vapeurs doivent être ré-aspirées par le moteur via le système d'admission.</p> <p>Ventilateur : il est autorisé de monter un ventilateur pour le refroidissement de l'huile moteur, mais sans que cela implique d'effet aérodynamique.</p>	<p>Radiator, oil/water exchanger, lines, thermostat and pump strainers (including the number) are free (without modifying the bodywork).</p> <p>The oil radiator cannot be situated outside the bodywork.</p> <p>Open type sump breather: if the lubrication system includes an open type sump breather, it must be equipped in such a way that the oil flows into a catch tank. This must have a capacity of 1litres. This container must either be made of translucent plastic or include a transparent panel.</p> <p>Air/oil separator: an air/oil separator may be mounted outside the engine (maximum capacity 1 litre), in accordance with Drawing 255-3.</p> <p>The oil must flow from the oil catch tank towards the engine by the force of gravity alone.</p> <p>If not, the vapours must be re-aspirated by the engine via the intake system.</p> <p>Fan: a fan may be fitted for cooling the engine oil, but must have no aerodynamic effect.</p>
333-a2	La jauge d'huile est libre mais elle doit être présente à tout moment et n'avoir aucune autre fonction. Elle peut être déplacée par rapport à sa position d'origine.	The oil gauge is free, but must be present at all times and have no other function. It may be moved from its original position.
333-a3	<p>Le filtre à huile est libre à condition qu'il soit interchangeable avec le filtre d'origine.</p> <p>Le montage d'un filtre à huile ou d'une cartouche en état de fonctionnement est obligatoire, et tout le débit d'huile doit passer par ce filtre ou cette cartouche. La conduite d'huile de série peut être remplacée par une autre.</p> <p>Afin de permettre l'installation des raccords de refroidisseur d'huile et de capteurs de température et/ou de pression, le support du filtre à huile peut être usiné ou remplacé.</p> <p>Il est permis d'installer un adaptateur entre le filtre à huile et le carter de filtre à huile ou entre le support de filtre à huile et le bloc moteur. Cet adaptateur peut également être muni de raccords de refroidisseur d'huile et de capteurs de température et/ou de pression.</p>	<p>The oil filter is free, provided that it is interchangeable with the original filter.</p> <p>The fitting of an oil filter or a cartridge in working order is mandatory, and the entire oil flow must pass through this filter or cartridge. The series oil line may be replaced with another.</p> <p>In order to allow the fitting of oil cooler and temperature and/or pressure sensor connections, the oil filter support may be machined or replaced.</p> <p>An adapter between the oil filter and the oil filter housing, or between the oil filter support and the engine block, is permitted. This adapter may also have oil cooling and temperature and/or pressure sensor connections.</p>
333-b0	Carter d'huile et pompe à huile	Oil sump and oil pump
333-b1	<p>Le carter d'huile doit être homologué en VR4-KIT. Sa seule fonction doit être celle de contenir de l'huile.</p> <p>Le nombre de fixations ne peut pas être supérieur à l'origine.</p> <p>Le carter sec n'est pas autorisé.</p>	<p>The oil sump must be homologated in VR4-KIT. Its sole function must be that of containing oil.</p> <p>The number of mounting points must not exceed the original.</p> <p>Dry sump is not allowed.</p>
333-b2	Le montage de chicanes dans le carter d'huile est autorisé.	The fitting of baffles in the oil sump is authorised.
333-b3	Un déflecteur d'huile peut être ajouté entre les plans du joint du carter d'huile et du bloc moteur. Le déflecteur de série peut être remplacé, à condition que la distance entre la surface d'étanchéité du carter d'huile et celle du bloc moteur ne soit pas augmentée de plus de 6 mm.	An oil deflector may be fitted between the planes of the oil sump gasket and engine block. The series deflector may be replaced, provided that the distance between the oil sump seal surface and that of the engine block is increased by no more than 6 mm.

333-b4	La pompe à huile doit être homologuée en VR4-KIT. L'entraînement de la pompe à huile doit être homologué en VR4-KIT.	Oil pump must be homologated in VR4-KIT. The drive system of the oil pump must be homologated in VR4-KIT.
400-1	CIRCUIT DE CARBURANT / FUEL CIRCUIT	
401-a0	Réservoir de carburant	Fuel tank
401-a1	<p>Le réservoir de carburant doit être homologué dans l'extension VR4-KIT. Seul ce réservoir de carburant peut être utilisé (sans aucune modification). Son emplacement doit être celui spécifié dans l'extension VR4-KIT. Une protection étanche aux liquides et aux flammes entre le réservoir et les occupants de la voiture est obligatoire. Le remplissage doit obligatoirement et uniquement s'effectuer au moyen de raccords rapides. Un couvercle étanche aux liquides et aux flammes tel que décrit à l'Article 253-14.3 doit être disponible afin de permettre de vérifier la date de fin de validité du réservoir de carburant.</p> <p>L'emplacement du réservoir doit respecter les conditions suivantes :</p> <ul style="list-style-type: none"> • Le plancher de la voiture d'origine peut être modifié pour l'installation du réservoir à la place des sièges arrière. Les dimensions maximales de cette modification doivent être de 1000 mm de largeur et 500 mm de longueur. • Les longerons ne peuvent pas être modifiés. • Il doit être au moins 50 mm en arrière de l'entretoise diagonale obligatoire de l'arceau principal. • Il doit être en avant de l'axe des roues arrière. • Il doit être séparé de l'habitacle par une tôle d'acier de 1.2 mm d'épaisseur. • Le fond du réservoir d'essence doit être situé au minimum 80 mm plus haut que le point le plus bas de la coque. • Seulement deux trappes de visite étanches (en plus de la trappe destinée à vérifier la date de validité du réservoir) sont admises dans l'habitacle ; la surface totale des trappes de visite est de 800 cm². <p>Les modifications (conception et montage) du châssis / coque doivent impérativement être approuvées et validées par le constructeur du kit R4.</p> <p><u>Protection du réservoir</u></p> <ul style="list-style-type: none"> • Le réservoir doit être contenu dans un caisson étanche (spécification minimum : base GRP+Kevlar, avec une couche intermédiaire de matériau d'absorption, épaisseur de la paroi 10 mm) fixé au plancher • La hauteur de l'ensemble (réservoir + caisson étanche) ne doit pas dépasser 600 mm. 	<p>The fuel tank must be homologated in the VR4-KIT extension. Only this tank may be used (without any modification). Its location must be that specified in the VR4-KIT extension.</p> <p>A leakproof and flameproof cover between the tank and the occupants is mandatory.</p> <p>It is mandatory that refuelling must only be carried out by means of a fast connector. A leak-proof and flameproof cover in order to allow the checking of the validity expiry date of the fuel tank must be available as described in Article 253-14.3.</p> <p>The location of the fuel tank must respect the following conditions:</p> <ul style="list-style-type: none"> • The floor of the cockpit may be modified in order to install the fuel tank in the rear seats area. The maximum dimensions of the resulting hole in the floor are 1000 x 500 mm. • The side rails cannot be modified. • It must be at least 50 mm after the obligatory diagonal strut of the main rollbar. • It must be forward of the rear wheel centreline. • a 1.2 mm thick steel screen fitted between the tank and the cockpit is compulsory. • The bottom of the tank must be at least 80 mm from the lowest point of the chassis. <p>• Only two airtight and watertight inspection hatches (in addition to the inspection hatch for checking the tank's validity date) in the cockpit are allowed, with a total surface of 800 cm².</p> <p>The modifications of the chassis / bodyshell (design and fitting) must be must imperatively be approved and certified by the R4 kit manufacturer.</p> <p><u>Protection of the fuel tank</u></p> <ul style="list-style-type: none"> • The tank must be contained in a leakproof box (minimum specification: GRP+Kevlar base, with an intermediate layer of absorbent material, wall thickness 10 mm) attached to the floor, • The height of the assembly (tank + leakproof box) must not exceed 600 mm.
402-a0	Circuit de carburant	Fuel circuit
	<p>Le circuit de carburant sera uniquement constitué des éléments suivants :</p> <ul style="list-style-type: none"> • Une sortie d'alimentation de carburant pour le moteur. • Un retour de carburant dans le réservoir. • Deux raccords rapides pour le ravitaillement (ces raccords doivent être situés à l'intérieur du véhicule). • Une mise à l'air libre conforme à l'Art. 253 de l'Annexe J. • La fixation de deux jauges à essence au maximum. <p>Les conduites d'essence flexibles doivent être de qualité d'aviation.</p>	<p>The fuel circuit must include only the following parts:</p> <ul style="list-style-type: none"> • One fuel supply outlet for the engine. • One fuel return into the tank. • Two quick-action couplings for refuelling (these couplings must be situated inside the vehicle). • One breather in conformity with Art. 253 of Appendix J. • The attaching of two petrol gauges at most. <p>The petrol lines must be of aviation quality.</p>

	<p>L'installation des conduites d'essence est libre pour autant que les prescriptions de l'Article 253-3 de l'Annexe J soient respectées.</p> <p><u>Pompes à essence (excepté pompes à haute pression)</u> Les pompes à essence sont libres (y compris leur nombre), à condition d'être installées à l'intérieur du réservoir de carburant. Des filtres à essence d'une capacité unitaire de 0,5 l peuvent être ajoutés au circuit d'alimentation.</p> <p><u>Prise de prélèvement de carburant</u> Lorsqu'elle est imposée par le règlement sportif, la prise de prélèvement de carburant doit être montée sur la partie basse pression du circuit d'essence.</p> <p><u>Jauges d'essence</u> Un maximum de 2 jauges d'essence est autorisé. Elles doivent être complètement indépendantes de l'ECU.</p> <p><u>Radiateur</u> Il est autorisé de monter un radiateur dans le circuit de carburant (capacité maximale un litre). Le radiateur ne doit pas se trouver dans le cockpit ou dans le coffre.</p>	<p>The installation of petrol lines is free provided that the prescriptions of Article 253-3 of Appendix J are respected.</p> <p><u>Fuel pumps (except high pressure pumps)</u> Fuel pumps (including their number) are free provided that they are installed inside the fuel tank. Petrol filters with a maximum unit capacity of 0.5 l may be added to the fuel feed circuit.</p> <p><u>Fuel bleed port</u> When a fuel bleed port is imposed by the regulations, it must be mounted on the low pressure part of the fuel circuit.</p> <p><u>Petrol gauges</u> A maximum of 2 petrol gauges is allowed. They must be completely independent from the ECU.</p> <p><u>Radiator</u> It is allowed to install a radiator in the fuel circuit (maximum capacity: 1 litre). The radiator must not be located in the cockpit or in the boot.</p>
500-1	EQUIPEMENT ELECTRIQUE / ELECTRICAL EQUIPMENT	
500-01	<p>Les faisceaux électriques sont libres sauf le faisceau moteur. Le faisceau moteur homologué en VR4-KIT doit être utilisé.</p> <p>Un dispositif de contrôle de vitesse et de distance (type Coralba) peut être installé à l'usage du copilote. Une telle installation ne doit entraîner aucun risque. Le pilote doit être capable de voir la vitesse de la voiture quand il conduit. Des fusibles peuvent être ajoutés au circuit électrique. Les boîtiers à fusible peuvent être déplacés ou retirés.</p>	<p>The electric cable assembly are free except the engine loom. The engine loom homologated in VR4-KIT must be used.</p> <p>A speed and distance control device (Coralba type) may be fitted for the co-driver's use. Such installation must not involve any risk. The driver must be able to see the speed of the car when driving. Fuses may be added to the electrical system. The fuse boxes may be moved or removed.</p>
500-03	<p>L'avertisseur peut être changé et/ou un avertisseur supplémentaire à la portée du passager peut être ajouté.</p>	<p>The horn may be changed and/or an additional one added within reach of the passenger.</p>
501-bat0	Batterie	Battery
501-bat1	<p><u>Marque et type de batterie</u> La marque, la capacité et les câbles de la (des) batterie(s) sont libres. La tension nominale doit être identique ou inférieure à celle de la voiture de série. Le nombre de batteries prévues par le constructeur doit être maintenu.</p> <p><u>Emplacement de la (des) batterie(s)</u> La batterie doit être de type "sèche" si elle n'est pas dans le compartiment moteur. Si elle est installée dans l'habitacle: - la batterie doit être située en arrière de l'assise des sièges pilote ou copilote.</p> <p><u>Fixation de la batterie</u> Chaque batterie doit être fixée solidement et la borne positive doit être protégée. Dans le cas où la batterie est déplacée par rapport à sa position d'origine, la fixation à la coque doit être constituée d'un siège métallique et de deux étriers métalliques avec revêtement isolant fixés par boulons et écrous. La fixation de ces étriers doit utiliser des boulons métalliques de 10 mm minimum de diamètre et, sous chaque boulon, une contreplaque au-dessous de la tôle de la carrosserie d'au moins 3 mm d'épaisseur et d'au moins 20 cm² de surface.</p> <p><u>Batterie humide</u> - une batterie humide doit être couverte d'une boîte de plastique étanche possédant sa propre</p>	<p><u>Make and type of battery</u> The make, capacity and cables of the battery are free. The nominal voltage must be the same or lower than that of the standard production car. The number of batteries laid down by the manufacturer must be retained.</p> <p><u>Location of the battery(ies)</u> The battery must be of the dry type if it is not in the engine compartment. If in the cockpit: - the battery must be situated behind the base of the driver's or co-driver's seat.</p> <p><u>Battery fixing</u> Each battery must be securely fixed and the positive terminal must be protected. Should the battery be moved from its original position, it must be attached to the body using a metal seat and two metal clamps with an insulating covering, fixed by bolts and nuts. For attaching these clamps, metallic bolts with a diameter of at least 10 mm must be used, and under each bolt, a counterplate at least 3 mm thick and with a surface of at least 20 cm² beneath the metal of the bodywork.</p> <p><u>Wet battery</u> - a wet battery must be covered by a leak proof plastic box, attached independently of the</p>

	<p>fixation.</p> <p><u>Poids minimum de la batterie :</u> Le poids minimum de la batterie est de 8 kg.</p>	<p>battery.</p> <p><u>Minimum weight of the battery:</u> The minimum weight of the battery is 8 kg.</p>
501-bat2	Une prise de force connectée à la batterie est autorisée dans l'habitacle.	A power take-off connected to the battery is permitted in the cockpit.
502-alt0	Alternateur / Générateur / Démarreur	Alternator / Generator / Starter
502-alt1	<p>Ils doivent être conservés.</p> <p><u>Alternateur :</u> L'alternateur doit être homologué en VR4-KIT. Les supports d'alternateur homologués en VR4-KIT doivent être utilisés. La poulie d'alternateur homologuée en VR4-KIT doit être utilisée.</p> <p><u>Démarreur :</u> Le démarreur et sa position doivent être homologués en VR4-KIT.</p>	<p>They must be retained.</p> <p><u>Alternator:</u> The alternator must be homologated in VR4-KIT. The alternator mountings homologated in VR4-KIT must be used. The alternator pulley homologated in VR4-KIT must be used.</p> <p><u>Starter motor:</u> The starter motor and its position must be homologated in VR4-KIT.</p>
502-alt1c	Une dynamo ne peut être remplacée par un alternateur et vice-versa.	A dynamo may not be replaced with an alternator, and vice-versa.
503-écl0	Système d'éclairage	Lighting system
503-écl1	<p>Les phares avant et les feux arrière doivent être de série.</p> <p>Les seules modifications autorisées sur le corps du phare avant de série sont les suivantes :</p> <ul style="list-style-type: none"> • Il est autorisé de supprimer les supports de fixation du phare de série faisant interférence avec le passage de roue homologué, afin de permettre le passage de la roue de 18”. • Il est autorisé de supprimer les supports de fixation du phare de série pour l'installation des pièces autorisées pour le système de refroidissement (eau et air). • Les supports supprimés peuvent être remplacés par d'autres supports qui peuvent être à des positions différentes et doivent être solidement fixés au corps du phare (assemblages non démontables par ex. rivets, collage...). • Les nouveaux supports du phare fixés à son corps ne doivent avoir aucune autre fonction que la fixation du phare. • Le poids du phare modifié équipé des nouveaux supports ne doit pas être inférieur au poids de la pièce d'origine non modifiée. <p>Ces modifications ne doivent pas engendrer d'ouvertures supplémentaires dans le corps du phare d'origine et ne doivent pas être visible de l'extérieur de la voiture.</p> <p>6 phares supplémentaires au maximum sont autorisés, y compris les relais correspondants, dans la mesure où les lois du pays l'acceptent. Si les feux anti-brouillard de série sont conservés, ils sont comptabilisés comme des phares additionnels. Ils ne peuvent pas être montés par encastrement. Le nombre de phares et de feux divers extérieurs doit toujours être pair. Les phares d'origine peuvent être rendus inopérants et peuvent être couverts par du ruban adhésif. S'ils sont indépendants des phares, les phares anti-brouillard d'origine peuvent être supprimés. Les feux diurnes (feux de jours) peuvent être remplacés une la pièce de substitution.</p>	<p>Front headlights and rear lights must be original.</p> <p>The only modifications allowed on the standard headlight body are the following:</p> <ul style="list-style-type: none"> • It is permitted to remove the original headlight mounting brackets which interfere with the homologated wheel arch, in order to allow the passage of the 18” wheel. • It is permitted to remove the original headlight mounting brackets for the installation of parts authorised for the cooling system (water and air). • The removed brackets must be replaced with other brackets which may be in different positions and must be firmly attached to the headlight body (non-dismountable connection e.g. rivets, bonding,...). • The new headlight mounting brackets which are attached to its body must not have any other function than the mounting of the headlight. • The weight of the modified headlight equipped with the new brackets must not be less than the weight of the original unmodified part. <p>These modifications must not result in the creation of any additional openings in the body of the original headlight and must not be visible from outside the car.</p> <p>A maximum of 6 additional headlights are authorised, including the corresponding relays, on condition that this is accepted by the laws of the country. If the series fog lamps are kept, they are counted as additional headlights.</p> <p>They may not be housed within the bodywork. Headlights and other front exterior lights must always exist in pairs. The original headlights may be rendered inoperative and covered with adhesive tape.</p> <p>If they are independent of the headlights, the original fog lights may be removed.</p> <p>Diurnal lights (daytime lights) may be replaced with a substitute part.</p>

	On peut monter des protège-phares qui n'aient d'autre but que de couvrir le verre de phare, sans influencer sur l'aérodynamique de la voiture. Les clignotants (de même que leur emplacement) doivent être conservés si montés sur la voiture de production standard.	Protective headlight covers may be fitted, provided that their only function is to cover the glass and that they have no influence on the car's aerodynamics. Lateral indicator lights (as well as their location) must be retained if fitted on the standard production car.
503-écl2	Le montage d'un phare de recul est autorisé à la condition qu'il ne puisse être utilisé que lorsque le levier de changement de vitesse est sur la position "marche arrière" et sous réserve de l'observation des règlements de police à ce sujet.	The fitting of a reverse light is authorised, provided that it does switch on only when the reverse gear is engaged and that police regulations are respected.
600-0	TRANSMISSION / TRANSMISSION	
602-b0	Embrayage	Clutch
602-b1	Le mécanisme d'embrayage doit être homologué en VR4-KIT. Le disque d'embrayage est libre mais il doit être de type céramétique.	The clutch mechanism must be homologated in VR4-KIT. The clutch disc is free but it must be of the cerametallic type.
602-b4	Les maître-cylindres d'embrayage doivent provenir d'un catalogue de grande production ou d'un catalogue de pièces de compétition.	The clutch master cylinders must come from a large scale production catalogue or from a competition parts catalogue.
602-b5	Les réservoirs de liquide d'embrayage peuvent être fixés dans l'habitacle. Dans ce cas, ils doivent être fixés solidement et recouverts d'une protection étanche aux liquides et aux flammes.	The clutch fluid tanks may be fixed inside the cockpit. In that case, they must be securely fastened and be protected by a leakproof and flameproof cover.
603-0	Supports de boîte de vitesses / différentiel arrière	Gearbox / rear differential mountings
603-01	Les supports de la boîte de vitesse et du différentiel arrière peuvent être remplacés / ajoutés.	The gearbox and rear differential mountings may be replaced / added.
603-02	Dans ces conditions, le matériau de l'élément élastique peut être remplacé.	In these conditions, the material of the elastic part may be replaced.
603-b0	Boîte de vitesses et différentiel arrière	Gearbox and rear differential
603-b1	La boîte de vitesses, le différentiel avant et le différentiel arrière doivent être homologués en VR4-KIT. Le nombre de dents et les rapports homologués doivent être conservés.	The gearbox, the front differential and the rear differential must be homologated in VR4-KIT. The number of teeth and the homologated ratios must be retained.
603-d0	Commande de boîte de vitesses	Gearbox control
603-d1	La commande de vitesse (tringlerie séquentielle) doit être conforme aux conditions suivantes : <ul style="list-style-type: none"> - commande séquentielle mécanique. - Le levier de vitesses doit être fixé sur le sol ou à la colonne de direction et peut être ajustable. Si fixé sur la colonne de direction, le lien entre le levier de vitesses et la boîte de vitesses ne doit pas être rigide (câble, etc.). - Les modifications de la carrosserie pour le passage de la nouvelle commande de changement de vitesses ne sont autorisées que si elles ne sont pas en contradiction avec d'autres points du présent règlement. - Le changement de vitesses doit se faire mécaniquement. 	The gearbox control (sequential linkage) must comply with the following conditions: <ul style="list-style-type: none"> - mechanical sequential control. - The gear lever must be fixed on the floor or on the steering column and can be adjustable. If fixed on the steering column the link between the gear lever and the gearbox must not be rigid (cable etc...). - Modifications to the bodywork for the passage of the new gearshift control are authorised only if they are not in contradiction with other points of these regulations. - Gear changes must be made mechanically.
603-h0	Refroidissement de boîte de vitesses / différentiel arrière	Gearbox / rear differential cooling
603-h1	Un dispositif additionnel de lubrification et de refroidissement d'huile peut être ajouté (radiateur + conduits d'huile uniquement).	An additional lubrication and oil cooling device may be added (cooler + oils pipes only).
605-a0	Couple final	Final drive

605-a1	<p>Le couple final doit être homologué en VR4-KIT. Seuls les rapports de couple final (couple pignon/couronne) homologués en VR4-KIT sont autorisés. Le système de découplage du couple final arrière doit être homologué en VR4-KIT.</p> <p>Le réservoir de fluide du système de découplage du couple final arrière peut être dans l'habitacle ou dans le coffre. Il doit être en matériau résistant aux flammes, ou être protégé par un couvercle étanche aux liquides et résistant aux flammes.</p>	<p>The final drive must be homologated in VR4-KIT. Only the final drive ratios (pinion/crown assembly) homologated in VR4-KIT are authorised.</p> <p>The actuation system of the rear drive disconnect must be homologated in VR4-KIT.</p> <p>The fluid tank of the rear final drive disconnect device may be located in the cockpit or in the boot. It must be made from a flame-proof material, or be protected by a leak and flame-proof cover.</p>
605-d0	Différentiel (avant et arrière)	Differential (front and rear)
605-d1	Le différentiel à glissement limité de type mécanique doit être homologué en VR4-KIT.	The mechanical type limited slip differential must be homologated in VR4-KIT.
605-d2	Par différentiel à glissement limité mécanique, on entend tout système fonctionnant exclusivement mécaniquement, c'est-à-dire sans l'aide d'un système hydraulique ou électrique.	"Mechanical limited slip differential" means any system which works purely mechanically, i.e. without the help of a hydraulic or electric system.
606-c0	Arbres de transmission transversaux et longitudinaux	Transverse and longitudinal transmission shafts
606-c1	<p>Les arbres de transmission transversaux et longitudinaux doivent être homologués en VR4-KIT. Le pallier central doit être homologué en VR4-KIT.</p> <p>Support d'arbre longitudinal sur la coque : La fixation du pallier central pour l'arbre longitudinal est libre.</p>	<p>The transverse and longitudinal transmission shafts must be homologated in VR4-KIT.</p> <p>The centre bearing must be homologated in VR4-KIT.</p> <p>Longitudinal shafts support on the bodyshell : The mounting of the longitudinal driveshaft center bearing is free.</p>
700-a0	ESSIEUX-SUSPENSIONS (AVANT ET ARRIERE) / FRONT AND REAR AXLES-SUSPENSIONS	
700-a1	<p>Tous les éléments de suspension homologués dans l'extension VR4-KIT doivent être utilisés sans aucune modification.</p> <p><u>Points d'ancrages du berceau avant :</u> Les ancrages du berceau avant sur le châssis peuvent être renforcés par des corps creux si nécessaire, dans la limite d'un volume délimité par un cylindre de 150mm de rayon par rapport à l'axe de la vis de d'ancrage du berceau considéré.</p> <p><u>Points d'ancrage du berceau arrière :</u> Les ancrages du berceau arrière sur le châssis peuvent être renforcés par des corps creux si nécessaire, dans la limite d'un volume délimité par un cylindre de 150mm de rayon par rapport à l'axe de la vis de d'ancrage du berceau considéré.</p> <p>Le renforcement des points d'ancrage de suspension est autorisé par adjonction de matériau à condition qu'il s'agisse d'un matériau épousant la forme d'origine et en contact avec celle-ci. Ces renforts de suspension ne doivent pas créer de corps creux ni permettre de solidariser deux pièces distinctes entre elles.</p> <p><u>Cale de carrossage :</u> doivent être homologuées en VR4-KIT.</p>	<p>All the suspension parts homologated in the VR4-KIT extension must be used without any modifications.</p> <p><u>Mounting points for the front subframe :</u> The mountings of the front subframe on the chassis can be strengthened with hollow areas if necessary, within the limit of a volume delimited by a cylinder with a radius of 150mm in relation to the axis of the anchor screws of the subframe under consideration.</p> <p><u>Mounting points for the rear subframe :</u> The mountings of the rear subframe on the chassis can be strengthened with hollow areas if necessary, within the limit of a volume delimited by a cylinder with a radius of 150mm in relation to the axis of the anchor screws of the subframe under consideration</p> <p>The reinforcement of anchorage points with additional material is authorised on condition that material following the original shape and in contact with it is used. The suspension reinforcements must not create hollow sections and must not allow two separate parts to be joined together to form one.</p> <p><u>Camber spacer:</u> must be homologated in VR4-KIT.</p>
700-a3	Platines supérieures de suspension	Upper suspension plates
	Seulement 1 type de platine supérieure de fixation des amortisseurs au châssis doit être utilisé, elle doit respecter les conditions suivantes:	Only 1 type of upper plate for the mounting of the shock absorbers to the chassis must be used, it must comply with following conditions:

	<ul style="list-style-type: none"> • Platine identique pour l'avant et pour l'arrière / gauche et droite • Conception libre • Le centre de rotation de la platine supérieure doit être positionné conformément à l'annexe 1. • Le point de rotation doit être centré par rapport à la chapelle d'amortisseur homologuée en VR4-Kit et le centre de rotation doit être au maximum 20mm au-dessus du plan de fixation avec chapelle. • Pas de réglage autosisé 	<ul style="list-style-type: none"> • Identical plate for the front and for the rear / gauche et droite • Free design • The centre of rotation of the upper plate is positioned in accordance with Appendix 1. • The point of rotation must be centred in relation to the shock absorber turret homologated in VR4-kit and the centre of rotation must be 20 mm above the mounting diagram with the turret. • No adjustment allowed.
701-b1	<p>Moyeux avant et arrière</p> <p>Les moyeux doivent être homologués en VR4-KIT.</p>	<p>Front and rear hubs</p> <p>The hubs must be homologated in VR4-KIT.</p>
701-c1	<p>Porte-moyeux avant et arrière</p> <p>Les porte-moyeux doivent être homologués en VR4-KIT. Les fixations (pour triangle, levier de direction, ancrage de biellette, étrier de frein, jambe de force) et cales de réglage de carrossage fixées sur les porte-moyeux doivent être homologuées en VR4-KIT.</p>	<p>Front and rear hubcarriers</p> <p>The hubcarriers must be homologated in VR4-KIT. The brackets (for wishbone, steering arm, toe link, brake calliper, strut) and camber spacers fitted on hubcarriers must be homologated in VR4-KIT.</p>
701-d1	<p>Triangles avant et arrière</p> <p>Les triangles doivent être homologués en VR4-KIT.</p>	<p>Front and rear wishbones</p> <p>The wishbones must be homologated in VR4-KIT.</p>
701-e1	<p>Berceau avant / Berceau arrière</p> <p>Les berceaux doivent être homologués en VR4-KIT.</p>	<p>Front subframe / Rear subframe</p> <p>The subframes must be homologated in VR4-KIT.</p>
702-0	<p>Ressorts</p>	<p>Springs</p>
702-1	<p>Les dimensions des ressorts principaux et d'appoint sont libres (mais pas le type). Les plates-formes des ressorts peuvent être ajustables, y compris par adjonction de matière. Le matériau des ressorts principaux et d'appoint doit être en acier allié. Un ressort hélicoïdal peut être remplacé par deux ressorts ou plus du même type, concentriques ou en série, à condition qu'ils puissent être installés sans modification autre que celles spécifiées dans cet article.</p>	<p>The main and helper spring dimensions are free (but not the type). The spring seats may be made adjustable even if this includes the adjunction of material. The material of the main and helper spring must be steel alloy. A coil spring may be replaced with two or more springs of the same type, concentric or in series, provided that they can be fitted without any modifications other than those specified in this article.</p>
706-a0	<p>Barres anti-roulis (avant et arrière)</p>	<p>Anti-roll bars (front and rear)</p>
706-a1	<p>Les barres anti-roulis ajustables depuis le cockpit sont interdites. Le diamètre des barres anti-roulis est libre. Les barres anti-roulis doivent être constituées d'alliage à base de fer. Les barres anti-roulis creuses sont interdites, la section doit être pleine sur au moins 90% de la longueur hors-tout. Les points d'ancrage sur la coque et les biellettes de la barre anti-roulis sont de conception libre. En aucun cas, les barres anti-roulis ne doivent être connectées entre elles. Les barres anti-roulis doivent être de type purement mécanique (aucun élément de type hydraulique ne peut être connecté à la barre anti-roulis ou à l'un de ses composants). Les barres anti-roulis peuvent être supprimées ou déconnectées.</p>	<p>Anti-roll bars that can be adjusted from the cockpit are prohibited. The diameter of the antiroll bar is free. The antiroll bars must be made from iron-based alloy. Hollow section antiroll bars are forbidden; the section must be solid over at least 90% of the overall length. The anchorage points on the bodyshell and the antiroll bar links are of free design. Under no circumstances may the anti-roll bars be connected to one another. The anti-roll bars must be of a purely mechanical type (no part that is of a hydraulic type may be connected to the anti-roll bar or to one of its components). The anti-roll bars may be removed or disconnected.</p>

707	Amortisseurs	Shock absorbers
707-b	<p>Un seul amortisseur par roue est autorisé. Les amortisseurs sont libres mais doivent être conformes aux conditions suivantes :</p> <ul style="list-style-type: none"> • Ils doivent être vendus dans un réseau de distributeurs. • Le diamètre interne maximum de tous les Uniballs est de 32 mm • Les dimensions des amortisseurs sont libres. • Les paliers lisses sont obligatoires. <p>En aucun cas, les amortisseurs ne doivent être connectés entre eux. La vérification du principe de fonctionnement des amortisseurs sera effectuée de la façon suivante :</p> <p>Une fois les ressorts et/ou les barres de torsion démontés, le véhicule doit s'affaisser jusqu'aux butées de fin de course en moins de 5 minutes. Les amortisseurs à gaz sont considérés à l'égard de leur principe de fonctionnement comme des amortisseurs hydrauliques. Si les amortisseurs possèdent des réserves de fluide séparées et qu'elles se trouvent dans l'habitacle, ou dans le coffre si celui-ci n'est pas séparé de l'habitacle, elles doivent être fixées solidement et recouvertes d'une protection. Un limiteur de débattement peut être ajouté. Un seul câble par roue est autorisé et sa seule fonction doit être de limiter la course de la roue lorsque l'amortisseur est en position de détente. Les systèmes de refroidissement par eau sont interdits. La modification du réglage des ressorts et des amortisseurs à partir de l'habitacle est interdite.</p>	<p>Only one shock absorber per wheel is authorised. The sock absorbers are free but must comply with the following conditions:</p> <ul style="list-style-type: none"> • They must be sold in a distributors' network. • The maximum internal diameter of all the Uniballs is 32 mm. • The dimensions of the shock absorbers are free. • Plain bearing are mandatory. <p>Under no circumstances may the shock absorbers be connected to one another. The checking of the operating principle of the shock absorbers will be carried out as follows:</p> <p>Once the springs and/or the torsion bars are removed, the vehicle must sink down to the bump stops in less than 5 minutes. With regard to their principle of operation, gas-filled shock absorbers are considered as hydraulic shock absorbers. If the shock absorbers have separate fluid reserves located in the cockpit, or in the boot if this is not separated from the cockpit, these must be strongly fixed and must have a protection.</p> <p>A suspension travel limiter may be added. Only one cable per wheel is allowed, and its sole function must be to limit the travel of the wheel when the shock absorber is not compressed. Water cooling systems are forbidden. Changes to the spring and shock absorber settings from the cockpit are prohibited.</p>
707-b5	Amortisseurs de type Mc Pherson	McPherson type shock absorbers
	Le diamètre interne maximum de la rotule supérieure est de 32 mm.	The maximum internal diameter of the upper ball joint is 32 mm.
707-XX	Des élargisseurs de voies peuvent être utilisés (dans le respect du présent règlement)	Wheel spacers may be fitted (in compliance with this Regulations).
800-a0	TRAIN ROULANT / RUNNING GEAR	
801-a0	Roues	Wheels
801-a1	<p>Les roues complètes sont libres à condition de pouvoir se loger dans la carrosserie d'origine, c'est-à-dire que la partie supérieure de la roue complète, située verticalement au-dessus du centre du moyeu, doit être couverte par la carrosserie lorsque la mesure est effectuée verticalement. Les fixations de roues par boulons peuvent être changées librement en fixations par goujons et écrous. L'utilisation de pneumatiques destinés aux motocyclettes est interdite. En aucun cas, l'assemblage "jantes / pneumatiques" ne doit excéder 9" de largeur et 650 mm de diamètre. Les jantes doivent obligatoirement être construites en matériau coulé. * Pour les Rallyes sur terre, seules les jantes de 6.5" x 15" ou de 7" x 15" sont autorisées, le matériau des jantes est libre (à condition d'être coulé) et le poids minimum d'une jante de 6.5" x 15" ou de 7" x 15" est de 8.6 kg. * Pour les Rallyes sur asphalte, seules les jantes de 8" x 18" sont autorisées, le matériau des jantes de 8" x 18" est libre (à condition d'être coulé) et le poids minimum d'une jante de 8" x 18" est de 8.9 kg. Les extracteurs d'air ajoutés sur les roues sont interdits.</p>	<p>Complete wheels are free provided that they may be housed within the original homologated bodywork; this means that the upper part of the complete wheel, located vertically over the wheel hub centre, must be covered by the bodywork when measured vertically.</p> <p>Wheel fixations by bolts may be freely changed to fixations by pins and nuts.</p> <p>The use of tyres intended for motorcycles is forbidden. Under no circumstances may the "rims / tyres" assembly exceed a width of 9" and a diameter of 650 mm. Rims must imperatively be made from cast material. * For gravel rallies, only 6.5" x 15" or 7" x 15" rims are authorised, the material of the rims is free (provided that it is cast) and the minimum weight of a 6.5" x 15" or 7" x 15" rim is 8.6 kg. * For asphalt rallies, only 8" x 18" rims are authorised, the material of the 8" x 18" rims is free (provided that it is cast) and the minimum weight of an 8" x 18" rim is 8.9 kg.</p> <p>The fitting of air extractors on the wheels is prohibited.</p>

	<p>L'utilisation de tout dispositif permettant au pneumatique de conserver ses performances avec une pression interne égale ou inférieure à la pression atmosphérique est interdite. L'intérieur du pneumatique (espace compris entre la jante et la partie interne du pneumatique) ne doit être rempli que par de l'air.</p> <p>Au moins une roue de secours est obligatoire.</p> <p>Toutefois, s'il y en a, elles doivent être solidement fixées, ne pas être installées dans l'espace réservé aux occupants du véhicule et ne pas entraîner de modification dans l'aspect extérieur de la carrosserie.</p>	<p>The use of any device allowing a tyre to conserve its performances with a pressure equal to or lower than atmospheric pressure is prohibited. The inside of the tyre (the space included between the rim and the inside of the tyre) may only be filled with air.</p> <p>At least one spare wheel is compulsory.</p> <p>However if there are any, they must be securely fixed, and not installed in the space reserved for the occupants of the vehicle. No exterior modification of the bodywork must result from this installation.</p>
803-a0	Système de freinage	Braking system
	<p>Seuls les disques de freins, les étriers de frein homologués dans la Variante VR4-KIT peuvent être utilisés (sans aucune modification).</p> <p><u>Garniture de freins</u> Le matériau et le mode de fixation (riveté ou collé) sont libres à condition que les dimensions des garnitures soient conservées. Un dispositif raclant la boue déposée sur les disques et / ou les roues peut être ajouté.</p> <p><u>Pédalier :</u> Le pédalier de série peut être remplacé par un nouveau pédalier; celui-ci doit provenir d'un catalogue de pièces compétition.</p> <p><u>Frein à main :</u> Le frein à main mécanique peut être remplacé par un système hydraulique.</p>	<p>Only the brake discs, callipers homologated in the VR4-KIT variant may be used (without any modifications).</p> <p><u>Brake linings</u> Brake linings are free, as well as their mountings (riveted, bonded, etc.) provided that the contact surface of the brakes is not increased. A device for scraping away the mud which collects on the brake discs and / or the wheels may be added.</p> <p><u>Pedalbox:</u> The series pedalbox may be replaced by a new new pedalbox; this pedalbox must be coming from a competition parts catalogue.</p> <p><u>Handbrake :</u> The mechanical handbrake may be replaced with a hydraulic system.</p>
803-a1	Les canalisations de frein peuvent être changées pour des canalisations de type aviation.	Brake lines may be changed for aviation type lines.
803-c1	Maître-cylindre	Master cylinder
	<p>Les maîtres-cylindres doivent provenir d'un catalogue de grande production ou d'un catalogue de pièces de compétition</p> <p>Les réservoirs de liquide de frein peuvent être fixés dans l'habitacle. Dans ce cas, ils doivent être fixés solidement et recouverts d'une protection étanche aux liquides et aux flammes.</p>	<p>Master cylinders must come from a large scale production catalogue or from a competition parts catalogue.</p> <p>The brake fluid tanks may be fixed inside the cockpit. In that case, they must be securely fastened and be protected by a leakproof and flameproof cover.</p>
803-c3	Servofreins, limiteur d'effort de freinage, système antiblocage (limiteurs de pression)	Brake servos, braking effort limiters, anti-lock braking systems (pressure limiters)
	Interdits	Forbidden
803-v1	Etriers avant et arrière	Front and Rear Callipers
	<p>Ils doivent être homologués en VR4-KIT. Il est autorisé d'ajouter un ressort dans l'alésage des étriers et les cache-poussière des étriers. Les entretoises de montage pour étrier de frein doivent être homologuées en VR4-KIT.</p>	<p>They must be homologated in VR4-KIT. It is permitted to add a spring in the bore of the callipers and dust covers of the callipers. Brake calliper mounting spacers must be homologated in VR4-KIT.</p>
803-w1	Disques avant et arrière	Front and Rear discs
	Ils doivent être homologués en VR4-KIT.	They must be homologated in VR4-KIT.
803-XX	Entrée d'air pour le refroidissement de frein.	Air intake for cooling the brakes

	<p>Pour chaque frein, il est possible de monter une canalisation d'air d'un diamètre intérieur maximum de 10 cm ou deux canalisations d'air d'un diamètre intérieur maximum de 7 cm. La canalisation d'air doit être circulaire sur au moins les 2/3 de sa longueur.</p> <p><u>Ventilateur électrique pour le refroidissement des freins</u> : interdit</p>	<p>For each brake, it is possible to fit one air duct with an internal maximum diameter of 10 cm, or two air ducts with an internal maximum diameter of 7 cm. The air duct must be circular over at least 2/3 of its length.</p> <p><u>Electric fan for cooling the brakes</u> : forbidden</p>
803-XX	Des pare-pierre pour protéger les freins peuvent être montés.	Stone screens to protect the brakes may be fitted
804-a0	Système de direction	Steering system
804-a1	Mécanisme de direction (boîtier et crémaillère) Seules les pièces homologuées dans l'extension VR4-KIT peuvent être utilisées (sans modification).	Steering mechanism (housing and rack) Only parts homologated in the VR4-KIT extension may be used (without any modification).
804-a2	La position de la pompe d'assistance hydraulique est libre La pompe de direction assistée, son support et la poulie d'entraînement doivent être homologués en VR4-KIT. Les canalisations reliant la pompe de direction assistée à la crémaillère de direction peuvent être remplacées par des canalisations conformes à l'Article 253-3.2.	The position of the hydraulic power steering pump is free. The power steering pump, its support and the driving pulley must be homologated in VR4-KIT. The lines linking the power steering pump to the steering rack may be replaced with lines conforming to Article 253-3.2.
804-a3	<u>Assistance de direction / réservoir</u> : Le réservoir doit provenir : <ul style="list-style-type: none"> • d'un modèle d'automobile d'un constructeur produit à plus de 2500 exemplaires et si sa capacité est augmentée par rapport à celle du réservoir de direction d'origine. • Ou un nouveau réservoir de direction en alliage d'aluminium. 	<u>Power steering / tank</u> : The tank must be coming from : <ul style="list-style-type: none"> • a model of automobile of a manufacturer produced in a quantity of more than 2500 units and if the capacity is increased compared to the original steering tank. • Or a new steering tank in aluminium alloy.
804-a4	<u>Assistance de direction - Dispositif de refroidissement</u> : Un radiateur d'huile, ainsi qu'un système de circulation d'huile ne générant pas de pression, peuvent être ajoutés.	<u>Power steering - Cooling device</u> : An oil radiator, as well as a system for circulating the oil without generating pressure, may be added
804-a4	Biellettes de direction	Steering rods
	Seules les pièces homologuées dans l'extension VR4-KIT peuvent être utilisées (sans modification).	Only parts homologated in the VR4-KIT extension may be used (without any modification).
804-c0	Volant de direction	Steering wheel
	Le volant de direction est libre. Le système de verrouillage de l'antivol de direction doit être rendu inopérant. Le mécanisme de déverrouillage rapide est obligatoire et doit consister en un flasque concentrique à l'axe du volant, de couleur jaune obtenue par anodisation ou tout autre revêtement durable, et installé sur la colonne de direction derrière le volant. Le déverrouillage doit s'opérer en tirant sur le flasque suivant l'axe du volant.	The steering wheel is free. The locking system of the anti-theft steering lock must be rendered inoperative. The quick release mechanism is compulsory and must consist of a flange concentric to the steering wheel axis, coloured yellow through anodisation or any other durable yellow coating, and installed on the steering column behind the steering wheel. The release must be operated by pulling the flange along the steering wheel axis.
804-c1	Colonne de direction	Steering column
	La colonne de direction ainsi que son système de fixation peuvent être remplacés mais, si la colonne de direction d'origine comporte un système d'absorption des chocs, ce système ou un système similaire doit être conservé.	The steering column as well as its mounting system may be replaced but, if the original steering column is fitted with a shock-absorbing system, this system or a similar one must be retained.
804-c2	Ouverture / cloison	Opening / bulkhead
	Une nouvelle position et une nouvelle ouverture dans la cloison pour la colonne de direction peuvent être ajoutées.	A new position and a new opening in the bulkhead for the steering column may be added.

	L'ouverture inutilisée doit être bouchée.	The original openings must be closed.
900-a0	CARROSSERIE - COQUE / BODYWORK - BODYSHELL	
900-a0	<p>Seuls les éléments autorisés par le présent règlement peuvent être retirés. Les soudures de type TIG sont interdites pour la coque et l'armature de sécurité.</p> <p>Les lignes de séparation entre les panneaux de carrosserie doivent rester identiques à celles de la carrosserie d'origine, sauf sur les surfaces qui peuvent être explicitement différentes de celles d'origine.</p>	<p>Only parts authorised by the present regulations may be removed. TIG type welds are prohibited for the body shell and roll cage.</p> <p>The split lines between bodywork panels must remain as on the original bodywork, except over those surfaces that may explicitly be different from the original.</p>
900-a1	Extérieur	Exterior
	<p>Les ouvertures additionnelles dans le capot moteur doivent être munies d'un grillage avec mailles de 10 mm de côté maximum. Des canalisations d'air (sans modification des ouvertures homologuées) peuvent être ajoutées aux conditions suivantes :</p> <ul style="list-style-type: none"> * L'air peut être canalisé uniquement pour refroidir les auxiliaires. * Une seule canalisation par auxiliaire est autorisée. * La section intérieure maximale de chaque canalisation doit être celle d'une section circulaire de diamètre 102 mm. <p>Les renforts des parties suspendues du châssis et de la carrosserie par ajout de pièces et/ou de matériau sont autorisés dans les conditions suivantes :</p> <p>La forme de la pièce/du matériau de renfort doit épouser la surface de la pièce à renforcer en conservant une forme similaire, et avoir l'épaisseur maximale suivante mesurée à partir de la surface de la pièce d'origine :</p> <ul style="list-style-type: none"> - 4 mm pour les renforts en acier, - 12 mm pour les renforts en alliage d'aluminium. <p>Pour les éléments de carrosserie, la pièce/le matériau de renfort doit se trouver sur la partie non visible de l'extérieur. Les nervures de rigidification sont autorisées mais la réalisation de corps creux est interdite. La pièce/le matériau de renfort ne peut assurer d'autre fonction que celle de renfort et son épaisseur doit être constante. Les enjoliveurs de roue doivent être enlevés. Il est autorisé de rabattre les bords de tôle en acier ou de réduire les bords de plastique des ailes lorsqu'ils font saillie à l'intérieur du logement des passages de roue. Les pièces d'insonorisation en plastique peuvent être retirées de l'intérieur des passages de roues. Le matériau d'insonorisation ou de prévention de corrosion peut être enlevé. Ces éléments en plastique peuvent être changés pour des éléments en aluminium ou en plastique de même forme. La suppression des baguettes décoratives extérieures est autorisée, c'est-à-dire celle de toute partie suivant le contour extérieur de la carrosserie, et d'une hauteur inférieure à 55 mm. On peut monter des protège-phares qui n'aient d'autre but que de couvrir le verre de phare, sans influencer sur l'aérodynamique de la voiture. On peut prévoir tout système de verrouillage du bouchon de réservoir d'essence.</p>	<p>Additional openings on the engine bonnet must be fitted with wire netting with a mesh of maximum 10 mm. Air ducts (without any modification of the homologated openings) may be added on the following conditions:</p> <ul style="list-style-type: none"> * The air may be authorized only to cool the auxiliaries. * A single duct per auxiliary is authorized. * The maximum inner section of each duct must be that of a circular section of 102 mm diameter. <p>Strengthening of the suspended parts of the chassis and bodywork through the addition of parts and/or material is allowed under the following conditions: The shape of the reinforcing part/material must follow the surface of the part to be reinforced, having a shape similar to it and the following maximum thickness measured from the surface of the original part:</p> <ul style="list-style-type: none"> - 4 mm for steel parts, - 12 mm for aluminium alloy parts. <p>For bodywork parts, the reinforcing part/material must be on the area not visible from the outside. Stiffening ribs are allowed but the making of hollow sections is forbidden. The reinforcing part/material must not have any other function than that of a reinforcement and its thickness must be constant. Hubcaps must be removed. It is permitted to fold back the steel edges or reduce the plastic edges of the wings if they protrude inside the wheel housing. The plastic soundproofing parts may be removed from the interior of the wheel arches.</p> <p>The soundproofing material or the material for the prevention of corrosion may be removed. These elements made from synthetic materials may be changed for aluminium or plastic elements of the same shape. The removal of external decorative strips, following the contour of the car and less than 55 mm high, is authorised. Protective headlight covers may be fitted provided that their only function is to cover the glass, and that they have no influence on the car's aerodynamics. Any locking system may be used for the cap of the petrol tank.</p>
900-d0	Crics	Jacks
900-d1	Les points de levage du cric peuvent être renforcés, changés de place, et on peut en augmenter le nombre. Ces modifications sont limitées exclusivement aux points d'ancrage du cric.	The jacking points may be strengthened, moved and increased in number. These modifications are limited exclusively to the anchorage points of the jack.

	<p>Le cric doit fonctionner exclusivement manuellement (actionné soit par le pilote, soit par le copilote), c'est-à-dire sans l'aide d'un système équipé d'une source d'énergie hydraulique, pneumatique ou électrique.</p> <p>Le pistolet à roue ne doit pas permettre de démonter plus d'un écrou à la fois.</p>	<p>The jack must be operated exclusively by hand (either by the driver, or by the co-driver), i.e. without the help of a system equipped with a hydraulic, pneumatic or electric energy source.</p> <p>The wheel gun must not allow the removal of more than one nut at a time.</p>
900-e	Protection sous caisse	Underbody protection
900-e1	<p>Le montage de protections inférieures n'est autorisé qu'en rallye, à condition qu'elles soient effectivement des protections qui respectent la garde au sol, qui soient démontables et qui soient conçues exclusivement et spécifiquement afin de protéger les éléments suivants : moteur, radiateur, suspension, boîte de vitesses, réservoir, transmission, direction, échappement, bonbonne d'extincteur.</p> <p>Seulement en avant de l'axe des roues avant, ces protections inférieures peuvent s'étendre à toute la largeur de la partie inférieure du bouclier avant.</p> <p>Ces protections doivent être soit en alliage d'aluminium, soit en acier et d'une épaisseur minimum de 3 mm.</p> <p>Les protections du réservoir de carburant peuvent comporter plusieurs couches de kevlar, fibre de carbone ou fibre de verre.</p> <p>Protection latérales de carrosserie : L'utilisation de kevlar ou fibre de verre est autorisée.</p> <p>Les pièces de protection en plastique fixées sous la caisse (léchées par les filets d'air) peuvent être retirées.</p>	<p>The fitting of underbody protections is authorised only in rallies, provided that these really are protections which respect the ground clearance, which are removable and which are designed exclusively and specifically in order to protect the following parts: engine, radiator, suspension, gearbox, tank, transmission, steering, exhaust, and extinguisher bottles.</p> <p>Underbody protections may extend the whole width of the underside part of the front bumper only in front of the front wheel axis.</p> <p>These protections must be made from either aluminium alloy or steel and have a minimum thickness of 3 mm.</p> <p>The fuel tank protections may be made from several layers of Kevlar, carbon fibre or fibreglass.</p> <p>Side panel protection: The use of Kevlar and fibreglass is authorised.</p> <p>Plastic protection parts fitted under the body (licked by the air flow) may be removed.</p>
900-f	Largeur hors-tout	Overall width
	La largeur maximale de la voiture VR4-KIT est fixée à 1820 mm.	The maximum width of the VR4-KIT car is 1820 mm.
900-f	Chassis / modifications	Bodyshell / modifications
	<p><u>Les modifications (conception et montage) du chassis / coque concernant les points suivants doivent impérativement être approuvées et validées par le constructeur du kit R4 :</u></p> <ul style="list-style-type: none"> - Ancrages du berceau avant - Ancrages du berceau arrière - Passages de roues avant - Position des chapelles d'amortisseur avant - Passages de roues arrière - Position des chapelles d'amortisseur arrière - Tunnel de transmission - Modifications cloison moteur / habitacle - Modificatiосn traverses et longerons - Installation du réservoir de carburant <p><u>Dossier de modification de coque :</u> <u>Un dossier comportant toutes les modifications mentionnées ci-dessus doit être fourni par le concepteur / constructeur de la coque et approuvé par le fournisseur du kit-R4.</u> <u>Pour chaque modification de la coque, il est obligatoire de mentionner :</u></p> <ul style="list-style-type: none"> - Photo avant modification de la coque - Photo après modification de la coque - Indiquer le type et l'épaisseur du matériau utilisé - Dimensions de chaque modification de la coque et conformité par rapport au présent règlement <p><u>Ce dossier doit être inséré dans la fiche d'homologation variante kit-R4 ASN.</u> <u>La présentation de ce dossier est obligatoire à tout moment de la compétition sur demande des commissaires techniques.</u></p>	<p><u>The modifications of the chassis / bodyshell (design and fitting) concerning the following items must be must imperatively be approved and certified by the R4 kit manufacturer :</u></p> <ul style="list-style-type: none"> - Front subframe fixings - Rear subframe fixings - Front wheel arches - Position of the front suspension turret - Rear wheel arches - Position of the rear suspension turret - Transmission tunnel - Modifications for bulkhead separating the engine from the cockpit - Modifications for cross rails and side members - Fuel tank installation <p><u>Dossier for bodyshell modification :</u> <u>A dossier containing all the above mentioned modifications must be provided by the designer / builder of the bodyshell and approved by the R4 - kit supplier.</u> <u>For each modification of the bodyshell, it is compulsory to specify :</u></p> <ul style="list-style-type: none"> - Photo before modification of the bodyshell - Photo after modification of the bodyshell - Specify the type and thickness of the material used - Dimensions for each bodyshell modification and compliance with this regulations <p><u>This dossier must be included into the homologation form for kit-variant kit-R4 ASN.</u> <u>The presentation of this dossier is compulsory upon request by the scrutineers at any time during the competition.</u></p>

900-f	Installation de l'ensemble moteur / boîte de vitesse	Installation of the assembly engine / gearbox
	<p>L'orientation du moteur de la variante kit-R4 doit être identique à l'orientation du moteur de la voiture de série.</p> <p>Il est autorisé :</p> <ul style="list-style-type: none"> • Soit de garder l'inclinaison du moteur telle qu'elle est dans son compartiment d'origine. • Soit d'incliner ce moteur autour de son vilebrequin d'un angle maximum de 25° par rapport à la verticale. <p><u>Installation de l'ensemble moteur / boîte de vitesse</u> : voir annexe 1.</p> <p>La cloison moteur et les longerons peuvent être modifiés uniquement localement dans le seul but d'installer le moteur et la boîte de vitesse. Pour chaque type de voiture, toutes les modifications doivent être approuvées et validés par le constructeur du kit R4. Les modifications éventuelles des longerons devront garantir la même rigidité que le longeron d'origine. Les supports pourront être soudés au moteur et à la carrosserie et leur position est libre.</p>	<p>The direction of the engine of the R4-kit variant must be identical to the direction of the engine of the standard car.</p> <p>It is permitted:</p> <ul style="list-style-type: none"> • Either to retain the angle of inclination of the engine in its original compartment. • Or to tilt the engine by a maximum of 25° to the vertical around its crankshaft. <p><u>Installation of the assembly engine / gearbox</u> : see appendix 1.</p> <p>The engine bulkhead and the side rails may be modified only locally for the sole purpose of installing the engine and the gearbox. For each type of car, all modifications must be approved and certified by the R4 kit manufacturer. Any modifications of the side rails must guarantee the same rigidity as the original side member. The mountings may be welded to the engine and to the bodywork and their position is free</p>
900-f	Chapelle d'amortisseur	Shock absorber turret
	<p>Seules les pièces homologuées dans l'extension VR4-KIT peuvent être utilisées (sans modification).</p> <p><u>Position des chapelles d'amortisseur avant</u> : voir Annexe 1.</p> <p><u>Position des chapelles d'amortisseur arrière</u> : doivent être incluses dans le volume libre indiqué sur le dessin n°2 / Annexe 1.</p>	<p>Only parts homologated in the VR4-KIT extension may be used (without any modification).</p> <p><u>Position of the front suspension turrets</u> : voir annexe 1.</p> <p><u>Position of the rear suspension turret</u> : must be included into the free volume given on drawing n°2 / Appendix 1.</p>
900-f	LONGERONS	LOWER SIDE RAILS
	<p>Il est autorisé de modifier les longerons dans le seul but d'installer les logements des palliers de barres anti-roulis avant et arrière.</p>	<p>It is permitted to modify the lower side rails in the purpose of installing bearing housings for front and rear antiroll bars.</p>
900-f	CLOISON MOTEUR	ENGINE BULKHEAD
	<p>Uniquement dans le but de rafraichir l'équipage, il est autorisé de créer une ou plusieurs ouvertures dans la cloison moteur, la surface maximale totale de ces ouvertures est de 80 cm². L'air doit provenir de l'avant de la voiture (ouvertures : voir articles spécifiques) et les conduits véhiculant l'air doivent être construits à partir d'un matériau résistant au feu.</p>	<p>For the sole purpose of cooling the crew, one or more openings may be homologated in the engine bulkhead, the total maximum surface of these openings being 80 cm².</p> <p>Air must be picked up from the front of the car (openings : voir articles spécifiques), and the ducts carrying this air must be made of fire-resistant materials.</p>
900-f	PANNEAU D'AUVENT	SCUTTLE PANEL
	<p>Il peut être supprimé ou modifié.</p>	<p>It may be removed or modified.</p>
900-f	TUNNEL DE TRANSMISSION	TRANSMISSION TUNNEL
	<p>Le tunnel de transmission de la voiture de série peut être modifié.</p>	<p>The transmission tunnel of the series car may be modified.</p>

	<p>Les dimensions du tunnel de transmission doivent se limiter aux passages de la transmission et de la ligne d'échappement et elles doivent être inférieures aux dimensions figurant sur le Dessin n°2 / Annexe 1. L'épaisseur minimum de toutes les plaques en acier remplaçant les plaques originales est de 1.2 mm.</p>	<p>The dimensions of the transmission tunnel must be sufficient only to allow the passage of the transmission and the exhaust line and must be smaller than the dimensions shown on Drawing n° 2 / Appendix 1. The minimum thickness of all the steel sheet replacing the original steel sheet is 1.2 mm.</p>
900-f	<p>PLANCHER</p>	<p>FLOOR</p>
	<p>La partie arrière du plancher pourra être modifiée en supprimant l'emplacement de la roue de secours et en le remplaçant par une plaque d'acier plane comportant des nervures de rigidification. Si, en conséquence de cette modification, les sorties de surpression d'origine sont supprimées, elles peuvent être repositionnées différemment sur la coque dans le seul but de ventiler le cockpit. Ces nouvelles sorties de surpression doivent être en arrière de l'axe d'essieu arrière, sous le point le plus haut de la ligne inférieure de la vitre arrière et dans une zone de dépression. Le dispositif de surpression doit provenir d'un modèle d'automobile d'un constructeur produit à plus de 2500 exemplaires.</p>	<p>The rear part of the floor may be modified by removing the spare wheel housing and adding a plane steel sheet with some beading reinforcements in its place. If, as a consequence of this modification, the original overpressure outlets are removed, these may be repositioned in different places on the bodyshell provided their sole purpose is to ventilate the cockpit. The position of these new openings must be behind the rear axle centreline, below the highest point of the bottom line of the rear window and in an area of underpressure. The overpressure device must come from a model of automobile of a manufacturer produced in a quantity of more than 2500 units.</p>
900-f	<p>PARE-CHOC AVANT</p>	<p>FRONT BUMPER</p>
	<p>La forme du pare-chocs avant doit être identique à celle des pare-chocs avant de série, à ces exceptions près :</p> <ul style="list-style-type: none"> • Les grilles de série des pare-chocs avant peuvent être remplacées par des grillages. • Modification de la partie latérale du pare-chocs avant : selon la définition de l'aile donnée à l'annexe 1 du "Règlement d'homologation pour voitures du Groupe A". • Une ou plusieurs ouvertures pourront être pratiquées dans le pare-chocs avant ainsi que dans les parties latérales des ailes avant, mais la surface totale des ouvertures du bouclier devra être de 2500 cm2 maximum. • Ces ouvertures ne doivent pas affecter l'intégrité structurelle du pare-chocs. • Dans les zones résiduelles situées à côté des ouvertures, les éléments de série décoratifs démontables (ex: maillages, grilles, nervures) peuvent être remplacés par une surface plane faisant partie intégrante du pare-chocs avant. • Le matériau du pare-chocs doit être conservé (plastique restant plastique, ceci incluant les matériaux composites). • Le poids minimum du pare-chocs avant est 4.5 kg (excepté si le pare-chocs original est conservé). • La partie inférieure du pare-chocs avant peut être démontable. Aucun élément de cette partie démontable ne doit faire saillie par rapport à la partie supérieure, ceci en projection verticale. • La hauteur totale du pare-chocs avant ne doit pas être diminuée de plus de 60 mm lorsque la partie démontable est retirée. La hauteur maximale de cette partie démontable est de 100 mm (Voir Dessin n°1). • L'extrémité inférieure de la partie démontable doit être conçue comme une bande plate. Cette partie ne doit pas être mobile et sa fixation doit être au moins égale à la rigidité du pare-chocs. • Cette partie démontable ne doit pas engendrer, en toutes circonstances, de nouvelle ouverture et la surface d'ouverture du pare-chocs ne doit en aucun cas être modifiée quelle que soit sa configuration. • Cependant par l'intermédiaire de l'homologation, et dans le seul but d'installer l'échangeur, il est permis de découper les éléments situés entre le pare-chocs et le châssis. Dans ce cas, la résistance structurelle des pièces découpées devra être recréée. 	<p>The shape of the front bumper must be identical to the standard production front bumper except:</p> <ul style="list-style-type: none"> • Front bumper production grilles may be replaced with wire mesh. • Modification of the lateral part of the front bumper: according to the definition of the fender given by appendix 1 of the "Homologation Regulations for Group A Cars". • One or more openings may be made in the front bumper together with the side elements of the front fenders, but the total surface of openings in the protective moulding must be no more than 2500 cm2. • These openings must not affect the structural integrity of the bumper. • In residual areas near openings, series removable decorative elements (e.g. mesh, grill, ribs) may be replaced with a flat surface forming an integral part of the front bumper. • The material of the front bumper must remain unchanged (plastic remaining plastic, including composite materials). • The minimum weight of the front bumper is 4.5 kg (except if the original bumper is kept). • The lower part of the front bumper may be detachable. No element of this detachable part may protrude beyond the upper part, when seen in vertical projection. • - The overall height of the bumper must not be reduced by more than 60 mm when the detachable part is removed. The maximum height of this detachable part is 100 mm (See Drawing n° 1). • The lower end of the detachable part has to be designed as a flat strip. This part must not be movable and its mounting must at least be as rigid as the bumper. • In no case may the detachable part give rise to a new opening, and the opening surface of the bumper must not be modified whatever its shape. • However, it is permitted to cut out the parts situated between the bumper and the chassis, by means of homologation and for the sole purpose of installing the exchanger. In this case, the structural resistance of the parts which have been cut out must be recreated.

	La partie inférieure démontable du pare-chocs avant peut être démontée.	The dismountable lower part of the front bumper may be dismantled.
900-f	<p>ELARGISSEMENT DES AILES / PARE-CHOCS PASSAGES DE ROUES</p> <p>Une augmentation de la largeur de la voiture (mesurée au niveau de l'axe des roues) est possible.</p> <ul style="list-style-type: none"> • La largeur maximale est de 1820 mm (mesurée au niveau de l'axe des roues). Cette augmentation pourra être obtenue par une extension ou une pièce nouvelle. La partie latérale des pare-chocs avant et arrière devra suivre le volume de l'aile. • Les passages de roues pourront être modifiés afin de loger les roues autorisées. • La fabrication de nouveaux passages de roues intérieurs et extérieurs sera autorisée. Les chapelles, longerons, berceaux et points d'ancrage doivent rester conformes à l'Annexe J. Cependant, dans le cadre de la liberté du passage de roue, il est permis de découper partiellement la traverse supérieure située au niveau du passage de roue. Cette traverse découpée devra être reconstituée de sorte que la résistance de la voiture en cas de choc soit au moins égale à la résistance d'origine. Le matériau des passages de roues ne doit pas être modifié par le kit. • Le longeron inférieur pourra être modifié de façon à permettre le débattement de l'arbre de transmission. La modification devra être limitée à une zone de 25 mm de hauteur par 60 mm de longueur en vue de côté (voir Dessin n°3). • La cloison moteur/habitacle pourra être martelée ou modifiée dans le seul but de permettre le passage de la roue, un plan précis doit être fourni. La modification des corps creux de renfort est interdite. Les traverses et longerons ne doivent en aucun cas être modifiés ou découpés. <p><u>Pare-chocs avant :</u> Seules les parties latérales des pare-chocs avant, devant suivre le volume de l'aile, pourront être modifiées</p> <p><u>Pare-chocs arrière :</u> seules ses parties latérales peuvent être modifiées La découpe originale du pare-chocs arrière de l'échappement peut être modifiée, il est aussi autorisé de créer une nouvelle découpe de 100 cm2 maximum.</p> <p>Il est autorisé de remplacer les éléments décoratifs de série démontables (ex. apparence de grille) par une surface plane faisant partie intégrante du pare-chocs arrière.</p> <p>Le matériau des passages de roues ne doit pas être modifié par le kit mais le matériau des protections des passages de roues et des ailes peut être différent du matériau de l'aile et des protections des passages de roues du modèle dont il est issu. Ces ailes et passages de roues ne doivent pas engendrer d'appui aérodynamique supplémentaire.</p> <p><u>Ailes :</u> Les ailes doivent être continues, sans prise ou évacuation d'air. En vue de dessus, section par section, la nouvelle aile doit couvrir l'aile de la voiture de la famille homologuée. De plus, l'aile doit recouvrir la totalité de la roue complète en projection radiale, l'œil étant</p>	<p>WIDENING OF THE FENDERS / BUMPERS WHEEL ARCHES</p> <p>An increase of the width of the car (measured at the centreline of the wheels) is possible.</p> <ul style="list-style-type: none"> • The maximum width is 1820mm (measured at the centreline of the wheels). This increase may be obtained by means of an extension or a new part. The lateral part of the front and rear bumpers must follow the volume of the fender. • The wheel arches may be modified in order to house the wheels authorised. • The making of new inner and outer wheel arches is authorised. The housings, side members, subframes and mounting points must remain in conformity with Appendix J. However, within the context of the freedom of the wheel arch, it is permitted to partially cut the upper side rail at the level of the wheel arch. This cut-out side rail must be reconstituted in such a way as to ensure that the resistance of the car in case of impact is at least equal to the original resistance. The material of the wheel arches must not be modified by the kit. • The lower side rail may be modified so as to allow the half-shaft to travel. The modification must be limited to an area 25 mm high by 60 mm wide seen from the side (see Drawing n° 3). • The bulkhead separating the engine from the cockpit may be hammered or modified for the sole purpose of allowing the passage of the wheel; a precise plan must be provided. The modification of the reinforcing hollow bodies is forbidden. The cross rails and side members must in no circumstances be modified or cut. <p><u>Front bumper :</u> Only the lateral parts of the front bumpers, which must follow the volume of the fender, may be modified.</p> <p><u>Rear bumper :</u> Only its lateral parts may be modified The original cut-out of the rear bumper for the exhaust may be modified, it is also allowed to create a new cut-out of maximum 100 cm2.</p> <p>The replacement of series removable decorative features (e.g. mesh effect) with a flat surface forming an integral part of the rear bumper is authorised.</p> <p>The material of the wheel arches must not be modified by the kit, but the material of the wheel arch protections and of the fenders may be different from the material of the wheel arch protections and of the fenders of the original model. These fenders and wheel arches must not give rise to any additional aerodynamic effect.</p> <p><u>Fenders :</u> The fenders must be continuous, with no air intakes or outlets. Seen from above, section by section, the new fender must cover the fender of the car from the homologated family. Further, the fender must cover the whole of the complete wheel in radial projection, the eye</p>

	<p>situé à une distance maximum de 400 mm du centre de la roue. Cette projection radiale balayera un arc de cercle situé 30° en avant et 50° en arrière de l'axe vertical passant par le centre de la roue.</p> <p>La partie située entre 50° et 90° en arrière de l'axe vertical passant par le centre de la roue ne doit pas se trouver à plus de 10 mm de cette projection radiale. Cette mesure sera effectuée à 0° de carrossage avec une roue complète de 650 mm de diamètre. La hauteur de caisse étant réglée au premier point de tangence de la roue avec l'aile en vue de côté. La voie doit être dans sa position maximum utilisable.</p> <p>NB : Pour effectuer cette mesure, nous prendrons une règle de 400 mm que nous balayerons de 80° (30° en avant, 50° en arrière), une extrémité de cette règle sera positionnée au centre de la roue.</p> <p>Cette règle perpendiculaire à l'axe de roue sur cet arc de cercle devra être constamment en contact avec la carrosserie et ne devra jamais toucher la roue complète.</p> <p><u>Fixation des pare-chocs :</u> Les systèmes de fixation des pare-chocs peuvent être remplacés.</p> <p><u>Pour les voitures 4/5 portes</u> Des modifications localisées des portes arrière seront autorisées pour permettre le passage de la roue. Ces modifications ne doivent pas s'étendre à plus de 700 mm en avant de l'axe des roues arrière.</p>	<p>being situated at a maximum distance of 400 mm from the centre of the wheel. This radial projection will sweep across an arc of a circle situated from 30° in front of to 50° behind the vertical axis passing through the centre of the wheel.</p> <p>The part situated between 50° and 90° behind the vertical axis passing through the centre of the wheel must not be situated more than 10 mm from this radial projection. This measurement will be carried out at 0° camber with a complete wheel measuring 650 mm in diameter, with the height of the bodywork set at the first point of tangency of the wheel with the fender in profile view. The track must be set at its maximum usable position.</p> <p>NB: To carry out this measurement, we shall take a 400 mm measuring rod which we shall sweep across 80° (30° to the front, 50° to the rear), one end of this rod being positioned at the centre of the wheel.</p> <p>This rod, perpendicular to the centreline of the wheel on that arc must be in constant contact with the bodywork and must never touch the complete wheel.</p> <p><u>Bumpers fixings :</u> The systems for attaching the bumpers may be replaced.</p> <p><u>For 4/5 door cars</u> Localised modifications of the rear doors will be authorized to allow the passage of the wheel. These modifications must not extend by more than 700 mm in front of the axis of the rear wheels.</p>
900-f	DISPOSITIF AERODYNAMIQUE ARRIERE	REAR AERODYNAMIC DEVICE
	Pour les voitures à 3 volumes	For 3-volume cars
<p>Le dispositif d'origine de la voiture doit être retiré. Un seul dispositif doit être présent. Ce dispositif doit respecter les dimensions définies par le Dessin n°10. Ce dispositif doit être rigide et sans possibilité de pénétration de l'air (fente, trou, ouverture, etc.). L'aileron doit être en une seule partie (un seul profil et sans "flap" de réglage), elle doit être rectiligne dans toutes les dimensions. Le dispositif doit être totalement inscrit dans la projection frontale de la voiture sans ses rétroviseurs. Le dispositif complet assemblé doit être contenu avec ces supports dans une boîte de 150 mm de largeur et 200 mm de hauteur. La corde maximum de cette aileron est fixée à 149 +/- 1 mm. La distance "a" de 100 mm minimum sera jugée à l'incidence 0°. La largeur maximum du profil porteur unique type Be 183-176 ne doit pas excéder 1200 mm et celui-ci peut être orientable. Une tolérance de fabrication de +/- 0.5 mm sera appliquée pour mesurer le profil. Cette tolérance doit être aléatoire entre deux mesures consécutives. Le bord de fuite pourra avoir une épaisseur de 2 mm. Les fixations sur les vitres sont interdites, seul l'appui est autorisé. Les plaques latérales peuvent excéder 1200 mm, en vue de face, mais ne doivent pas générer d'appui aérodynamique et doivent avoir une épaisseur minimum de 10 mm et une largeur de 20 mm maximum.</p>	<p>The car's original device must be removed. One single device must be present. This device must respect the dimensions defined by Drawing n° 10. This device must be rigid and offer no possibility for the penetration of air (groove, hole, opening, etc.). The wing must be made in one single piece (a single profile and no adjustment flap), and must be straight in all its dimensions. The device must be totally contained within the frontal projection of the car without its mirrors. The complete assembled device must be contained, together with its supports, within a box having a width of 150 mm and a height of 200 mm. The maximum chord of this wing is set at 149 mm +/- 1 mm. The distance "a" of at least 100 mm will be checked at 0° of incidence. The maximum width of the single Be 183-176 type carrier profile must not exceed 1200 mm and this profile may be adjustable. A manufacturing tolerance of +/- 0.5 mm will be applied for measuring the profile. This tolerance must be random between two consecutive measurements. The trailing edge may have a thickness of 2 mm. Attachment onto the glass is prohibited, only support is authorised. The side plates may extend beyond 1200 mm, when seen from the front, but must not generate any aerodynamic force and must have a minimum thickness of 10 mm and a maximum width of 20 mm. The wing will be checked with the car horizontal.</p>	

	<p>La vérification de l'aileron se fera véhicule à l'horizontale. Les supports de l'aileron doivent être définis comme sur le Dessin n°10.</p>	<p>The wing supports must be defined as in Drawing n°10.</p>
	<p>Pour les voitures à 2 volumes</p>	<p>For 2-volume cars</p>
	<p>La version suivante pourra être homologuée en lieu et place de la version ci-dessus : Un seul dispositif doit être présent, soit celui du kit, soit celui du modèle, soit celui de la famille. Ce dispositif doit respecter les dimensions ci-dessous et pouvoir entrer dans la boîte définie par le Dessin n°11. Ce dispositif doit être rigide et sans possibilité de pénétration de l'air (fente, trou, ouverture, etc.). L'aileron doit être en une seule partie (un seul profil et sans "flap" de réglage), et doit être conforme à l'homologation routière du pays dans lequel le véhicule est immatriculé. L'aileron doit être totalement inscrite dans la projection frontale de la voiture sans ses rétroviseurs. La largeur maximum du profil porteur ne doit pas excéder 110 cm et celui-ci ne doit pas être orientable. Les fixations sur les vitres sont interdites, seul l'appui est autorisé. Les plaques latérales peuvent excéder 110 cm, en vue de face, mais ne doivent pas générer d'appui aérodynamique. La vérification de l'aileron se fera véhicule à l'horizontale. A l'exception des supports, il doit être construit en fibre de verre.</p>	<p>The following version may be homologated instead of the above version : One single device must be present, either the one from the kit, or the one from the model, or the one from the family. This device must respect the dimensions below and must be able to fit into the box in Drawing n°11. This device must be rigid and offer no possibility for the penetration of air (groove, hole, opening, etc.). The wing must be made in one single piece (a single profile and no adjustment flap) and must be in conformity with the road homologation of the country in which the vehicle is registered. The wing must be completely contained within the front projection of the car without its rear-view mirrors. The maximum width of the carrier profile must not exceed 110 cm and this profile must not be adjustable. Attachment onto the glass is prohibited, only support is authorised. The side plates may extend beyond 110 cm, when seen from the front, but must not generate any aerodynamic force. The wing will be checked with the car horizontal. With the exception of the supports, it must be made from fibreglass.</p>
	<p>OUVERTURE GRILLAGEE SUR LE CAPOT (Y COMPRIS LA CALANDRE)</p>	<p>GRILLE-COVERED OPENING IN THE BONNET (INCLUDING THE RADIATOR GRILL)</p>
900-f	<p>De même forme que la partie originale découpée de carrosserie et d'au plus 1000 cm2 de surface sur le capot moteur. Il est possible d'ajouter dans l'ouverture pratiquée dans le capot moteur, une pièce en plastique servant d'enjoliveur. La hauteur maximale de cet enjoliveur par rapport au capot est de 15 mm. L'ouverture maximale de 1000 cm2 sera calculée sans tenir compte de cette pièce rapportée.</p>	<p>Of the same shape as the original part cut out of the bodywork and with a maximum surface of 1000 cm2 on the bonnet. In the opening made in the bonnet, it is permitted to add a plastic part serving as trim. The maximum height of this trim in relation to the bonnet is 15 mm. The maximum opening of 1000 cm2 will be calculated without taking this added part into account.</p>
	<p>SUPPORT SUPERIEUR DE RADIATEUR</p>	<p>UPPER RADIATOR SUPPORT</p>
900-f	<p>La traverse supérieure avant peut être découpée ou modifiée entre les phares. Cette découpe ou modification ne doit pas affecter la rigidité de la structure du châssis. Cette traverse peut être remplacée par un support différent. Dans le cas où l'élément faisant fonction de support de radiateur est en matériau plastique, il est possible de le remplacer par : <ul style="list-style-type: none"> • Une découpe locale afin de loger le radiateur. • Un nouveau support en matériau métallique. </p>	<p>The upper front cross member may be cut or modified between the headlamps. This cutting or modification must not affect the rigidity of the chassis structure. This cross member may be replaced with a different support. Where the element that serves as the radiator support is made from plastic material, it is possible to replace it by : <ul style="list-style-type: none"> • A local cut-out to insert the radiator. • A new support in metallic material. </p>
901-a	<p>Intérieur</p>	<p>Interior</p>
901-a	<p><u>Armature de sécurité :</u> L'armature de sécurité doit être homologuée par une ASN conformément au règlement d'homologation pour armatures de sécurité (voir Règlement d'Homologation pour Armatures de Sécurité – Art. 3.2.4 : Variante Kit WRC). Les soudures de type TIG sont interdites pour la coque et l'arceau de sécurité.</p>	<p><u>Safety cage :</u> The safety cage must be homologated by an ASN in accordance with the homologation regulations for safety cages (see Homologation Regulations for Safety Cages – Art. 3.2.4: WRC Kit Variant). TIG type welds are prohibited for the body shell and roll cage.</p>
901-a2	<p><u>Sièges</u> Seuls les sièges de Type FIA 8862/2009 sont autorisés.</p>	<p><u>Seats</u> Only seats of Type FIA 8862/2009 are authorised.</p>

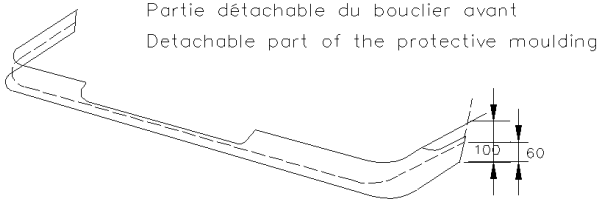
	<p>Le matériau des sièges pilote et copilote est libre mais le poids de la coque nue (siège sans mousse ni supports) doit être supérieur à 7 kg.</p> <p>Il est autorisé de reculer les sièges avant, mais pas au-delà du plan vertical défini par l'arête avant du siège arrière d'origine.</p> <p>La limite relative au siège avant est constituée par le haut du dossier sans l'appuie-tête, et si l'appuie-tête est intégré au siège, par le point le plus en arrière des épaules du pilote.</p> <p>Il est permis d'enlever les sièges arrière.</p>	<p>The material of the driver's and co-driver's seats is free but the weight of the bare shell (seat without foam or supports) must be greater than 7 kg.</p> <p>The front seats may be moved backwards but not beyond the vertical plane defined by the front edge of the original rear seat.</p> <p>The limit relating to the front seat is formed by the height of the seat without the headrest, and if the headrest is incorporated into the seat, by the rearmost point of the driver's shoulders.</p> <p>The rear seats may be removed.</p>
901-a2	Les harnais de sécurité doivent être conformes à la norme FIA 8853-2016.	The safety harness must be homologated according to FIA 8853-2016 standard.
901-a3	<p><u>Supports et ancrages de sièges</u></p> <p>Les supports et ancrages de sièges doivent être d'origine ou homologués par une ASN (fiche d'homologation variante kit-R4 ASN).</p> <p>Les supports de siège d'origine peuvent être supprimés.</p>	<p><u>Seats supports and mountings</u></p> <p>The Seat support and anchorages must be original or homologated by an ASN (<u>homologation form for kit-variant kit-R4 ASN</u>).</p> <p>The original seat supports may be removed.</p>
901-a4	<p><u>Ceintures</u></p> <p>Un harnais de sécurité comportant un minimum de six (6) points d'ancrage, homologué FIA en accord avec l'Article 253.6 de l'Annexe J, est obligatoire.</p> <p>Les ceintures de sécurité arrière peuvent être enlevées.</p>	<p><u>Safety belts</u></p> <p>A safety harness having a minimum of six (6) mounting points, homologated by the FIA in accordance with Article 253-6 of Appendix J, is mandatory.</p> <p>The rear seat safety belts may be removed.</p>
901-access0	Accessoires intérieurs additionnels	Additional interior accessories
901-access1	<p><u>Extincteurs - Systèmes d'extinction</u></p> <p>Les extincteurs automatiques, homologués et en accord avec l'Article 253.7 de l'Annexe J, sont obligatoires.</p> <p>Extincteur manuel : voir Article 253.7 de l'Annexe J.</p> <p>Les bonbonnes en matériau composite sont interdites.</p> <p>Chaque voiture doit être équipée d'un système d'extinction conforme à la Norme FIA 8865-2015.</p>	<p><u>Extinguishers – Extinguishing systems</u></p> <p>Automatic extinguishers, homologated and in compliance with Article 253-7 of Appendix J, are mandatory.</p> <p>Manual extinguisher: see article 253.7 of Appendix J.</p> <p>Bottles in composite material are forbidden.</p> <p>All cars must be equipped with an extinguishing system in compliance with FIA Standard 8865-2015.</p>
901-access3	<p><u>Accessoires</u></p> <p>Sont autorisés sans restriction tous ceux qui sont sans effet sur le comportement de la voiture, tels ceux rendant l'intérieur de la voiture plus esthétique ou confortable (éclairage, chauffage, radio, etc.).</p> <p>Le rôle de toutes les commandes doit rester celui prévu par le constructeur.</p> <p>Il est permis de les adapter de façon à les rendre mieux utilisables ou plus facilement accessibles, comme par exemple un levier de frein à main plus long, une semelle supplémentaire sur la pédale de frein, etc.</p> <p>Ces accessoires ne peuvent en aucun cas, même indirectement, augmenter la puissance du moteur ou avoir une influence sur la direction, la transmission, les freins ou les aptitudes à la tenue de route.</p>	<p><u>Accessories</u></p> <p>All those which have no influence on the car's behaviour, for example equipment which improves the aesthetics or comfort of the car interior (lighting, heating, radio, etc.), are allowed.</p> <p>All controls must retain the role laid down for them by the manufacturer.</p> <p>They may be adapted to facilitate their use and accessibility, for example a longer handbrake lever, an additional flange on the brake pedal, etc.</p> <p>In no case may these accessories increase the engine power or influence the steering, transmission, brakes or road-holding, even in an indirect fashion.</p>
901-access4	<p><u>Boîte à gants</u></p> <p>Il est permis d'ajouter des compartiments supplémentaires dans la boîte à gants et des poches supplémentaires aux portières pour autant qu'elles s'appliquent sur les panneaux d'origine.</p> <p>Plage arrière : Il est permis de retirer la plage arrière amovible dans les voitures à deux volumes.</p>	<p><u>Glove compartment</u></p> <p>Additional compartments may be added to the glove compartment and additional pockets in the doors, provided that they use the original panels.</p> <p>Rear shelf: it is permitted to remove the movable rear shelf in two-volume cars.</p>
901-access5b	TABLEAU DE BORD	DASHBOARD
901-access5b	<p><u>Tableau de bord de la voiture de série :</u></p> <p>Les garnitures situées en dessous de la planche de bord et n'en faisant pas partie peuvent être enlevées. Il est permis de retirer la partie de la console centrale qui ne contient ni le</p>	<p><u>Dashboard from the standard car:</u></p> <p>The trim situated below the dashboard and which is not a part of it may be removed. It is permitted to remove the part of the central console which contains neither the heating nor the</p>

	<p>chauffage, ni les instruments (selon Dessin 255-7). Le ou les bossages de la planche de bord peuvent être modifiés aux conditions suivantes :</p> <ul style="list-style-type: none"> - La hauteur du ou des bossages de la planche de bord peut être diminuée de 50 mm maximum sur une largeur maximale de 400 mm. - L'ouverture résultante doit être obturée. <p>Les panneaux supplémentaires pour l'instrumentation et/ou les interrupteurs peuvent être en matériau composite.</p>	<p>instruments (according to the Drawing 255-7). The dashboard hump(s) may be modified on the following conditions:</p> <ul style="list-style-type: none"> - The height of the dashboard hump(s) may be reduced by a maximum of 50 mm over a maximum width of 400 mm. - The resulting opening must be closed. <p>Supplementary panels for instruments and/or switches may be in composite material.</p>
	<p><u>Un nouveau tableau de bord peut être utilisé aux conditions suivantes:</u></p> <ul style="list-style-type: none"> • Le matériau du tableau de bord est libre mais la forme générale ainsi que l'aspect du modèle d'origine doivent être conservés. • Dans le seul but d'améliorer la visibilité vers l'avant, la hauteur du ou des bossages de la planche de bord peut être diminuée de 50 mm maximum sur une largeur maximale de 400 mm. Dans le cas d'un tableau de bord équipé d'un combiné d'instrumentation central, le bossage induit pourra être supprimé. L'ouverture résultante doit être obturée. • La position (hauteur) du modèle d'origine doit être conservée. • Les points d'ancrages peuvent être modifiés dans le seul but d'installer l'arceau de sécurité. • Le poids minimum du tableau de bord nu est de 4 kg. 	<p><u>A new dashboard may be used on the following conditions:</u></p> <ul style="list-style-type: none"> • The material of the dashboard is free, but the general shape and the appearance of the original model must remain unchanged. • With the sole object of improving forward visibility, the height of the dashboard or prominences on it may be reduced by a maximum of 50 mm over a maximum width of 400 mm. • In the case of a dashboard equipped with a central instrument panel, the hump this causes may be removed. • The resulting opening must be closed. • The position (height) of the original model must be retained. • The anchorage points may be modified for the sole purpose of installing the rollbar. • The minimum weight of the bare dashboard is 4 kg.
901-access6	<p>Le système de chauffage d'origine peut être remplacé par un autre. L'alimentation en eau du système de chauffage intérieur peut être obturée pour éviter toute atomisation d'eau en cas d'accident si un système électrique ou antibuée est déjà en place. L'appareil de chauffage peut être entièrement ou partiellement supprimé si un système de chauffage électrique du pare-brise est en place (éléments chauffants ou ventilateur électrique). Les éléments d'alimentation en air sont donc libres. Les sorties d'air doivent être conformes au modèle de série et ne peuvent subir aucune modification.</p>	<p>The original heating system may be replaced with a different unit. The internal heating system water supply may be closed off to prevent the spraying of water in case of accident, if an electric or similar demisting system is present. The heating unit may be removed completely or partially if an electrically heated windscreen is present (heating elements or electric fan). The air supply components are thus free. The air outlets must conform to the series production model and may not be modified.</p>
901-access7	<p>Le compresseur de climatisation peut être supprimé. La modification doit être homologuée en VR4-KIT. Les éléments suivants du système de climatisation peuvent être supprimés : condenseur et ventilateur auxiliaire, réservoir de fluide, évaporateur et ventilateur d'évaporateur, vanne d'expansion ainsi que tous les tuyaux, raccords, contacteurs, capteurs et actionneurs nécessaires au fonctionnement du système. Si certains éléments sont communs au système de chauffage, ils doivent être conservés.</p>	<p>The air conditioning compressor may be removed. The modification must be homologated in VR4-KIT. The following parts of the air conditioning system may be removed: condenser and auxiliary fan, fluid tank, evaporator and evaporator fan, expansion valve, as well as all pipes, connections, contact switches, sensors and actuators necessary for the functioning of the system. If certain elements are common with the heating system, they must be retained.</p>
901-access8	<p><u>Plancher intérieur</u> Les tapis de sol sont libres et peuvent donc être enlevés</p>	<p><u>Floor</u> Carpets are free and may thus be removed.</p>
901-access9	<p>Il est permis d'enlever les matériaux d'insonorisation et les garnitures, excepté ceux mentionnés aux Articles (Portières) et (Tableau de bord). Des plaques de matériau isolant peuvent être montées contre les cloisons existantes, afin de protéger les passagers du feu.</p>	<p>Other soundproofing materials and trim, except for those mentioned under the Articles (Doors) and (Dashboard), may be removed. Insulating material may be added to the existing bulkheads to protect the passengers from fire.</p>
901-access10	<p><u>Portières - Garnitures latérales</u> Il est permis d'enlever les matériaux d'insonorisation des portières, à condition que leur aspect n'en soit pas modifié. Les systèmes de verrouillage centralisé des portes peuvent être rendus inopérants ou supprimés.</p>	<p><u>Doors – Side trim</u> It is permitted to remove the soundproofing material from the doors, provided that this does not modify the shape of the doors. The centralised door locking systems may be rendered inoperative or may be removed.</p>

901-access10	<p>VITRES DE PORTES LATÉRALES (Y COMPRIS LES VITRES DE CUSTODE)</p> <p>Dans le but d'installer les mousses de protection pour le choc latéral, il est obligatoire d'homologuer (<u>fiche d'homologation variante kit-R4 ASN</u>) et d'utiliser les éléments suivants :</p> <ul style="list-style-type: none"> • Une modification de la partie intérieure de la porte (avant et/ou arrière). • Des vitres latérales en polycarbonate (épaisseur minimale 3.8 mm). Ces vitres doivent être démontables sans utiliser d'outil. • Une fenêtre coulissante ou une ouverture de ventilation peut être homologuée pour chaque vitre. • Des garnitures de portes (6 plis de carbone ou carbone-kevlar). • Volume minimum de mousse : 60L (voir document en Annexe 3 intitulé : Specification for 2011 Super 2000 Door foam). <p>La mousse de sécurité (voir article ci-dessus) et les panneaux de portières homologuées par une ASN (<u>fiche d'homologation variante kit-R4 ASN</u>) doivent être utilisés.</p>	<p>DOORS SIDE WINDOWS (INCLUDING THE REAR QUARTER PANEL WINDOWS)</p> <p>With the aim of installing foam to protect against lateral collisions, it is obligatory to homologate (<u>homologation form for kit-variant kit-R4 ASN</u>) and use the following :</p> <ul style="list-style-type: none"> • Modification of the interior part of the door (front and/or rear). • Polycarbonate side windows (minimum thickness 3.8 mm). It must be possible for these windows to be removed without the use of tools. • A sliding window or venting opening may be homologated for each window. • Door trims (6-ply of carbon or carbon-Kevlar). • Minimum volume of foam: 60L (see document in Appendix 3 titled: Specification for 2011 Super 2000 Door foam). <p>The safety foam (see article above) and door panels homologated by an ASN (<u>homologation form for kit-variant kit-R4 ASN</u>) must be used.</p>
901-access11	<p>TOIT OUVRANT / TRAPPE DE TOIT</p> <p>Une trappe de toit peut être ajoutée aux conditions suivantes :</p> <p>Le(s) toit(s) ouvrant(s) à volet (deux maximum), peut (peuvent) être homologué(s) pour les rallyes :</p> <ul style="list-style-type: none"> - hauteur maximale 10 cm (dépassement par rapport à la surface extérieure du toit) - emplacement dans le premier tiers du toit - largeur hors-tout maximale 500 mm - dépassement par rapport au bord supérieur du pare-brise limité à 50 mm. 	<p>SUNROOF / ROOF HATCH</p> <p>A roof hatch may be added on the following conditions:</p> <p>Roof vent(s) with a flap (2 maximum) may be homologated for rallies:</p> <ul style="list-style-type: none"> - max. height: 10 cm (protrusion from roof outer surface) - location within the first third of the roof - overall max. width: 500 mm - overhang in relation to the upper edge of the windscreen limited to 50 mm.
902-access0	<p>Accessoires extérieurs additionnels</p>	<p>Additional exterior accessories</p>
902-access1	<p>Le mécanisme d'essuie-glace avant doit être standard. Le dispositif lave-phares peut être démonté.</p> <p><u>Réservoir de lave-glace</u> La capacité du réservoir de lave-glace est libre. Le réservoir peut être déplacé dans l'habitacle selon l'Article 252.7.3, dans le coffre ou dans le compartiment moteur. Le changement des balais d'essuie-glace avant et arrière est autorisé. Le mécanisme d'essuie-glace arrière peut être enlevé. Les pompes, les canalisations et les gicleurs sont libres.</p>	<p>The windscreen wiper mechanism must be standard. The headlight washer device may be dismantled.</p> <p><u>Windscreen washer tank:</u> The capacity of the windscreen washer tank is free, The tank may be moved inside the cockpit in accordance with Article 252-7.3, or inside the boot or the engine bay. The changing of the front and rear windscreen wiper blades is authorised. The rear windscreen wiper mechanism may be removed. The pumps, lines and nozzles are free.</p>
902-access1	<p>MÉCANISME D'ESSUIE-VITRE</p> <p>Dans le seul but d'installer l'arceau de sécurité, il sera autorisé de déplacer le moteur et le mécanisme d'essuie-glace (uniquement selon l'axe longitudinal et transversal de la voiture). Le bobinage du moteur d'essuie-glace peut-être modifié afin d'augmenter la vitesse de rotation.</p>	<p>WINDSCREEN WIPING MECHANISM</p> <p>For the sole purpose of installing the safety rollbar, it will be authorised to move the windscreen wiping motor and mechanism (only along the longitudinal and transverse axes of the car). Wiper motor winding may be modified to increase rotation speed.</p>
902-access3	<p>Seuls les pare-brise de série et les pare-brise homologuées par une ASN (<u>fiche d'homologation variante kit-R4 ASN</u>) peuvent être utilisés (voir ci-dessous).</p> <p>Des fixations supplémentaires de sécurité pour le pare-brise et les vitres latérales peuvent être montées, à condition de ne pas améliorer les qualités aérodynamiques de la voiture. La garniture inférieure de pare-brise de série peut être modifiée aux conditions suivantes :</p>	<p>Only series windscreens and windscreens homologated by an ASN (<u>homologation form for kit-variant kit-R4 ASN</u>) may be used (see below).</p> <p>Additional safety fastenings for the windscreen and the side windows may be fitted, provided that they do not improve the aerodynamic qualities of the car. The series lower windscreen trim may be modified on the following conditions:</p>

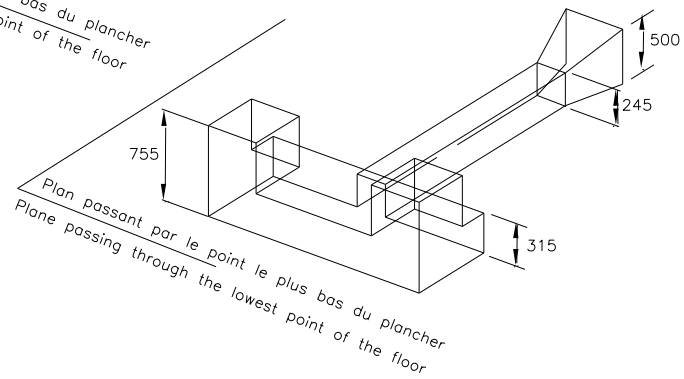
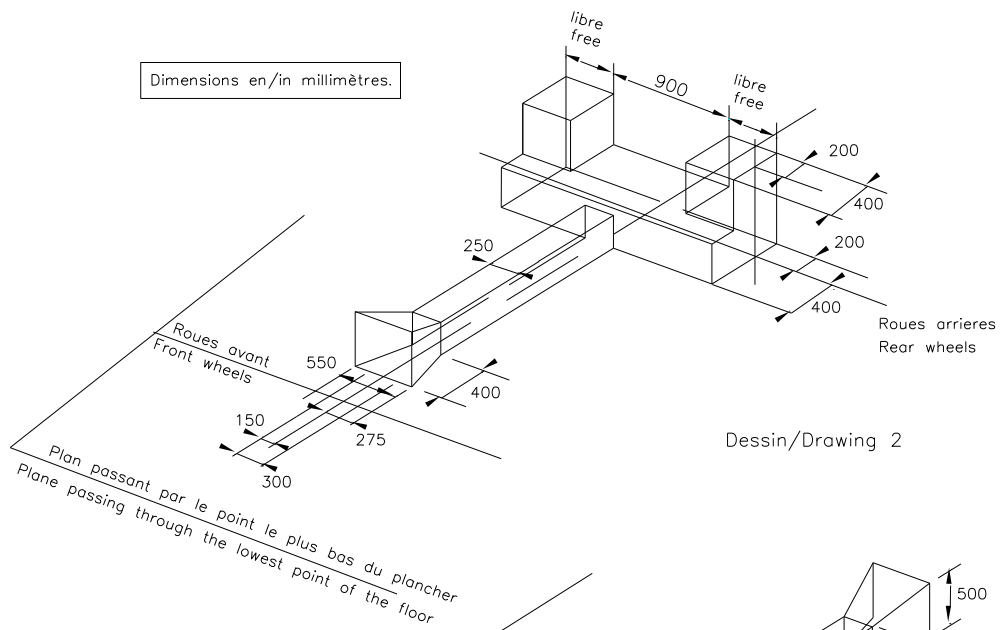
	<p>- la forme générale ainsi que l'aspect de la pièce de série doivent être conservés.</p> <p>- aucune ouverture ne peut être ajoutée, sauf celle pour rafraichir l'équipage (voir cloison moteur) et accéder aux platines supérieures de suspension avant sans démonter les essuie-glaces.</p> <p>- des fixations supplémentaires peuvent être ajoutées pour son montage sur la coque.</p>	<p>- the general shape and the appearance of the series part must remain unchanged.</p> <p>- no opening may be added, except for cooling the crew (see engine bulkhead) and for accessing the front upper suspension plates without removing the wipers.</p> <p>- additional fixings may be added for its mounting on the bodyshell.</p>
902-access3	<p>PARE-BRISE / à homologuer par une ASN (<u>fiche d'homologation variante kit-R4 ASN</u>)</p> <p>Un pare-brise chauffant en verre feuilleté peut être homologué si et seulement si son poids est au moins égal à celui du modèle homologué.</p> <p>Ces pare-brise différents doivent avoir une homologation routière effective conforme à l'Art. 43 (Prescriptions uniformes relatives à l'homologation des vitrages de sécurité et des matériaux de vitrage) de la Communauté Européenne ou son équivalent dans d'autres pays hors d'Europe.</p> <p>Ces pare-brise doivent être marqués suivant la norme du pays dans lequel ils ont été homologués.</p> <p>Le poids de ces pare-brise doit être réparti de façon uniforme et son épaisseur doit être constante.</p> <p>Cette homologation doit être valable dans tous les pays dans lesquels le véhicule est censé concourir.</p> <p>Afin d'obtenir une homologation ASN, le constructeur du véhicule devra présenter un dossier complet prouvant le passage de tous les tests à l'homologation routière, justifiant la possibilité d'utiliser ce vitrage sur route ouverte.</p> <p>Une homologation non complète, ou valable uniquement dans un pays, ne sera pas autorisée.</p> <p>Les caractéristiques suivantes devront être mentionnées:</p> <ul style="list-style-type: none"> • Epaisseur minimale. • Poids. • Marque. • Emplacement et définition du marquage. • Photos des pièces déposées. 	<p>WINDSCREEN / to be homologated by an ASN (<u>homologation form for kit-variant kit-R4 ASN</u>)</p> <p>A heated windscreen made from laminated glass may be homologated if and only if its weight is at least equal to that of the homologated model.</p> <p>These different windscreens must have genuine road homologation in accordance with Art. 43 (Uniform prescriptions concerning the homologation of safety windows and window material) of the European Community or its equivalent in other countries outside Europe.</p> <p>These windscreens must be marked according to the standard of the country in which they were homologated.</p> <p>The weight of these windscreens must be uniformly distributed and thickness must be constant.</p> <p>This homologation must be valid in all the countries in which the vehicle is supposed to compete.</p> <p>In order to obtain ASN homologation, the manufacturer of the vehicle must submit a full dossier proving that the vehicle has undergone all the tests for road homologation, justifying the possibility of using these windows on open roads.</p> <p>An incomplete homologation or one which is valid only in one country will not be authorised.</p> <p>The following characteristics must be specified :</p> <ul style="list-style-type: none"> • Minimum thickness. • Weight. • Make. • Location and definition of the marking. • Photos of the registered parts.
902-access4	<p>Les fixations de pare-chocs sont libres et peuvent être en matériau composite, pour autant que la carrosserie, ainsi que la forme et la position des pare-chocs, demeure inchangée.</p>	<p>The bumper mountings are free and may be in composite material, as long as the bodywork and the shape and position of the bumpers remain unchanged.</p>

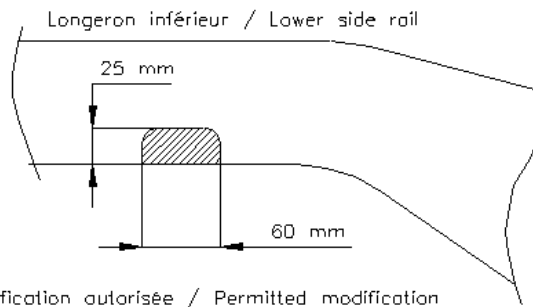
ANNEXE 1 / APPENDIX 1
DESSINS / DRAWINGS



Dessin / Drawing 1

Dimensions en/in millimètres.





Modification autorisée / Permitted modification

Dessin / Drawing 3

Référenciel voiture de série :

Chaque fiche VR4-KIT doit comporter les cotes L1, L2 et H, qui positionnent les points de référence (REF) de la voiture de série par rapport au centre roue avant, au centre roue arrière et au point le plus bas du plancher de la voiture de série. (dessin 4).

Ce point de référence (REF) de la voiture de série doit être identifiable et contrôlable sur une voiture de série (trou ou embouti), une photo indiquant la position sera présente dans la fiche VR4-KIT.

Le point de référence (REF) doit être situé sur le pied B, pour permettre un contrôle facile aux vérifications techniques.

Ainsi son défini les origines des axes X et Z du repère, l'axe Y ayant son origine à l'axe symétrie du véhicule.

Pour chaque type de voiture, les points de référence et positionnement doivent être approuvés et validés par le constructeur du kit R4.

Series car frame of reference :

Each VR4-KIT form must have the notations L1, L2 and H, which position the points of reference (REF) of the series car in relation to the centre of the front wheel, to the centre of the rear wheel and to the lowest point of the floor of the series car (Drawing 4.)

This point of reference (REF) of the series car must be identifiable and capable of being controlled on a series car (hole or stamp), a photo indicating the position will be appear on the VR4-KIT form.

The point of reference (REF) must be located on the B-pillar, in order to allow easy control during scrutineering.

This is how the origins of the axes X and Z of the benchmark are defined, axis Y having its origins in the axis symmetry of the vehicle.

For each type of car, these points of reference and positionings must be approved and certified by the R4 kit manufacturer.

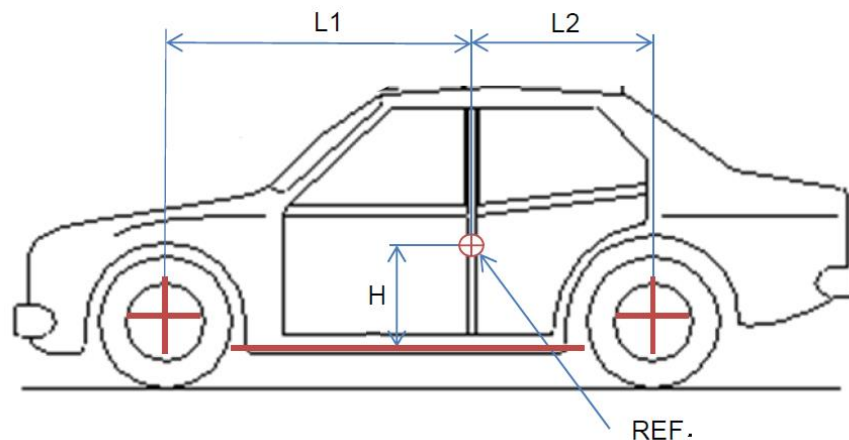
Dessin / Drawing n°4

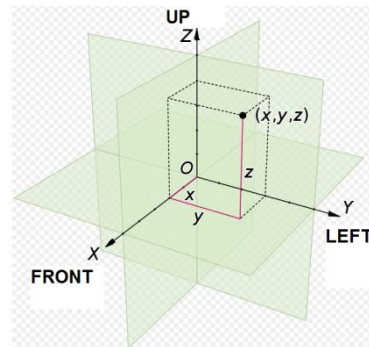
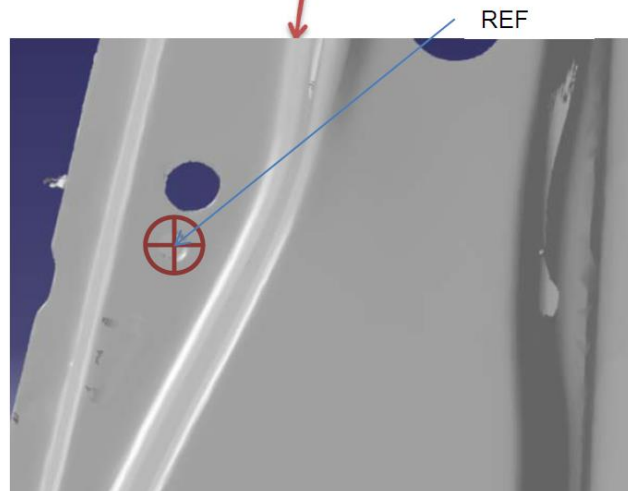
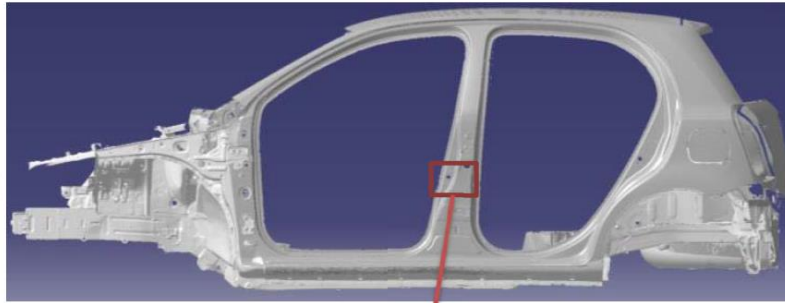
Les dimensions L1 / L2 / H et la position du point de référence doivent être précisés dans la fiche d'homologation variante kit-R4 ASN.

Dimensions L1 / L2 / H and the position of the reference point must be specified into the homologation form for kit-variant kit-R4 ASN.

Empattement / L1 / L2 : tolérance - fiche d'homologation = +/-1%

Wheelbase / L1 / L2 : tolerance – homologation form = +/-1%





Positionnement dans le véhicule du kit VR4-KIT :

L'ensemble des éléments du Kit-R4 associés à l'essieu avant et à l'essieu arrière doivent être dans le véhicule conformément au dessin n°5 en vue de coté et au dessin n°6 en vue de dessus.

Les éléments liés en position à l'essieu avant sont :

- Berceau avant
- Chapelle d'amortisseur avant
- Demi train complet avec porte moyeu, triangle, biellette de direction, étrier et disque de freins, etc..
- Crémaillère de direction
- Moteur
- Boîte de vitesse
- Arbres de transmission transversaux avant
- Segment avant de l'arbre longitudinal jusqu'au palier intermédiaire inclus.

Les éléments liés en position à l'essieu arrière sont :

- Berceau arrière
- Chapelle d'amortisseur arrière
- Demi-train complet avec porte moyeu, triangle, biellette de pince, étrier et disque de frein, etc..
- Arbres de transmission transversaux arrière
- Différentiel arrière avec système de débrayage.
- Réservoir de carburant complet avec protection et composants internes.

Voir dessins n°7 et n°8.

Positioning of the VR4-KIT KIT in the vehicle :

All the elements of the R4-Kit associated with the front axle and to the rear axle must be positioned in the vehicle in conformity with Drawing n°5, as seen from the side, and Drawing n°6, as seen from above.

The elements linked in position with the front axle are :

- Front subframe
- Front shock absorber turret
- Complete semi-train with hub carrier, triangle, steering tierod, calliper and brake discs, etc.
- Steering rack
- Engine
- Gearbox
- Front transversal drive shafts
- Front segment of the longitudinal driveshaft up to and including the intermediate bearing.

The elements linked in position with the rear axle are:

- Rear subframe
- Rear shock absorber turret
- Complete semi-train with hub carrier, triangle, steering rack, calliper and brake disc, etc.
- Rear transversal drive shafts
- Rear différentiel with declutching system
- Complete fuel tank with protection and internal components.

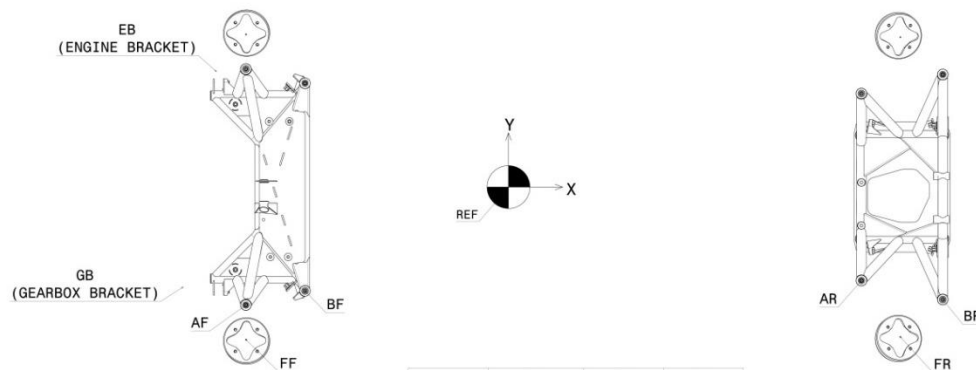
See Drawings n°7 and n°8.

Dessin / Drawing n°5 :

Les coordonnées des points indiqués dans le tableau ci-dessous doivent être précisés dans la fiche d'homologation variante kit-R4 ASN.

The coordinates of the points specified in the table below must be specified into the homologation form for kit-variant kit-R4 ASN.

Tolérance - fiche d'homologation / tolerance – homologation form : +/-3mm

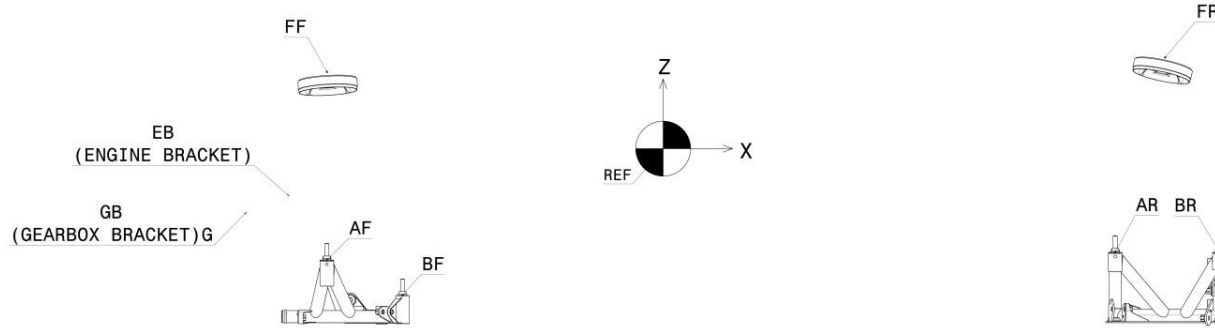


	X	Y	Z
AF	L1+XAF	YAF	ZAF - H
BF	L1+XBF	YBF	ZBF - H
FF	L1+XFF	YFF	ZFF - H
EB	L1+XEB	YEB	ZEB - H
GB	L1+XGB	YGB	ZGB - H
AR	L2+XAR	YAR	ZAR - H
BR	L2+XBR	YBR	ZBR - H
FR	L2+XFR	YFR	ZFR - H

Dessin / Drawing n°6 Tolerance à appliquer : +/-3mm

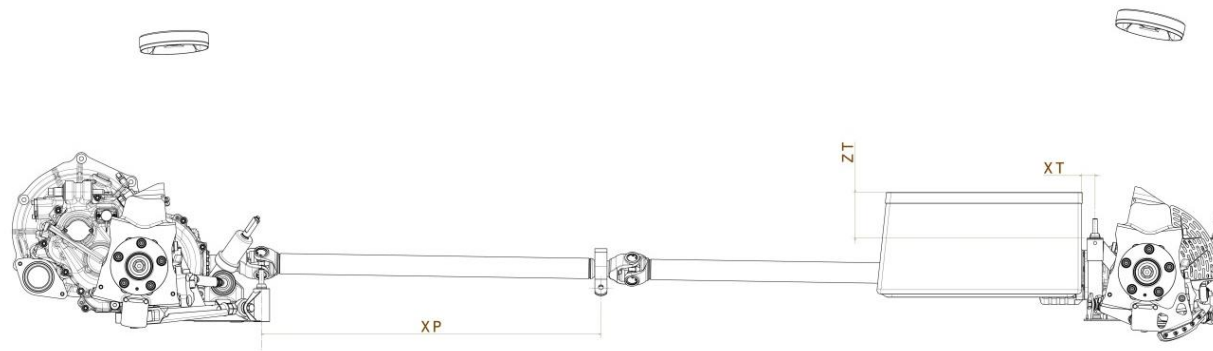
Les coordonnées des points indiqués dans le tableau ci-dessous doivent être précisés dans la fiche d'homologation variante kit-R4 ASN.
The coordinates of the points specified in the table below must be specified into the homologation form for kit-variant kit-R4 ASN.

Tolérance - fiche d'homologation / tolerance – homologation form : +/-3mm



	X	Y	Z
AF	L1+XAF	YAF	ZAF - H
BF	L1+XBF	YBF	ZBF - H
FF	L1+XFF	YFF	ZFF - H
EB	L1+XEB	YEB	ZEB - H
GB	L1+XGB	YGB	ZGB - H
AR	L2+XAR	YAR	ZAR - H
BR	L2+XBR	YBR	ZBR - H
FR	L2+XFR	YFR	ZFR - H

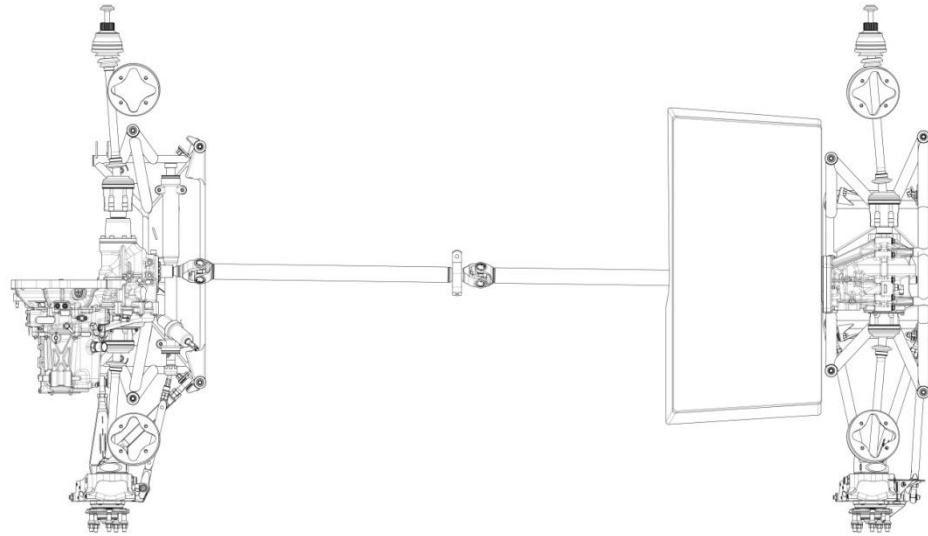
Dessin n°7



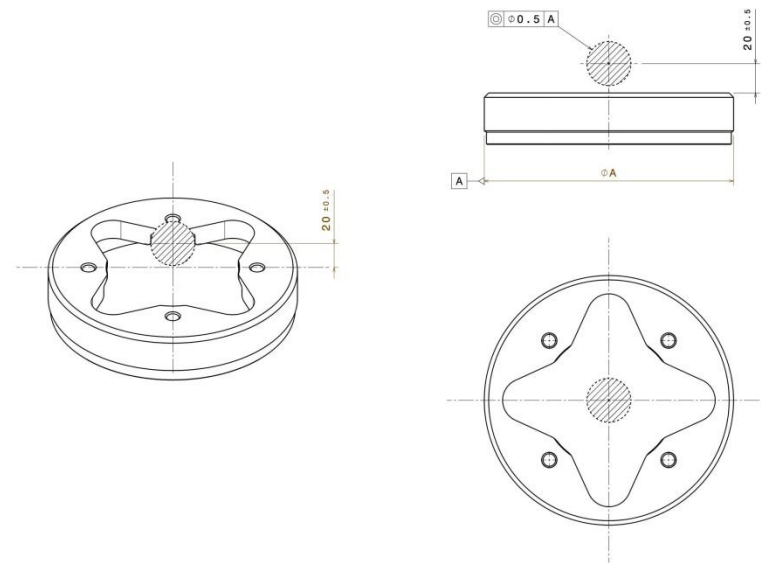
Les dimensions XP / XT / ZT doivent être précisés dans la fiche d'homologation variante kit-R4 ASN.
Dimensions XP / XT / ZT must be specified into the homologation form for kit-variant kit-R4 ASN.

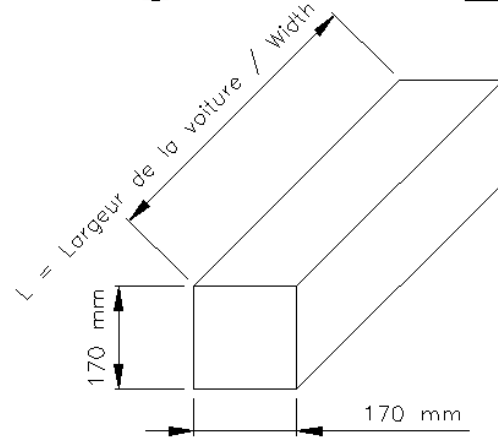
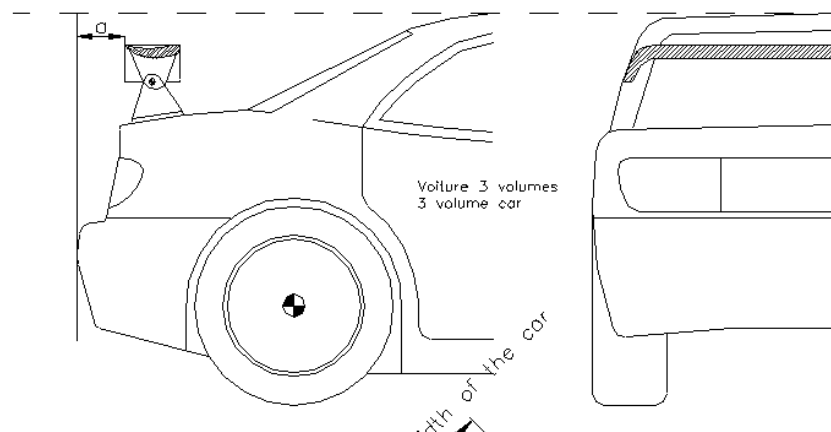
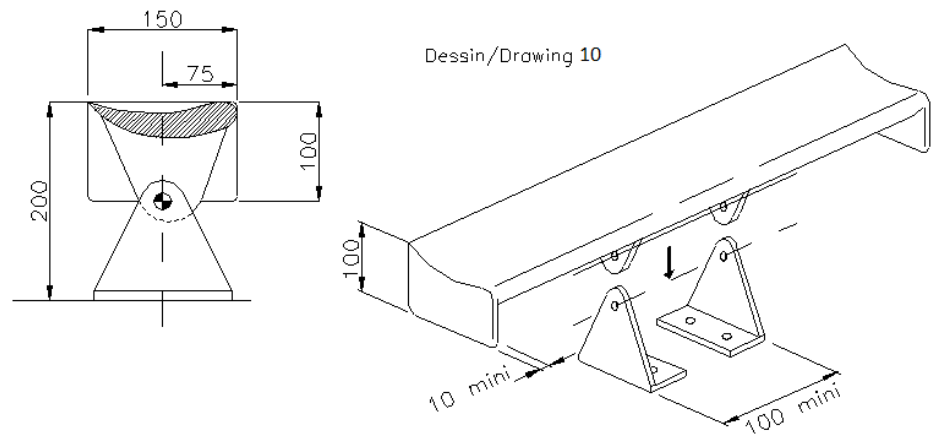
Tolerance - fiche d'homologation / tolerance – homologation form : +/-3mm

Dessin / Drawing n°8



Dessin n°9





Dessin/Drawing 11